



Air Conditioning & Heating



PRODUCT SPECIFICATIONS



GSH14

14 SEER

1½ TO 5 TON

SPLIT SYSTEM HEAT PUMP

COOLING AND HEATING CAPACITIES

18,000 BTU/H TO 55,000 BTU/H



The Goodman® GSH14 14 SEER Heat Pump features the high-efficiency Copeland® scroll compressor that provides improved temperature and humidity control throughout the home. The GSH14 has an attractive louvered metal guard to protect the coil from damage and strengthen the unit, while the base pan elevates the unit above the slab for excellent water drainage. A powder-paint finish provides premium durability and improved UV protection.

Standard Features

- High-efficiency scroll compressor
- R-22 refrigerant-charged for 15' of refrigerant lines
- 850-RPM condenser fan motor
- Liquid refrigerant return protection
- Factory-installed bi-flow liquid-line filter dryer
- Copper tube/enhanced aluminum fin coil
- Low-pressure switch
- Reliable, time-initiated, temperature-terminated defrost control
- Sweat connection service valves with easy access to gauge ports
- ARI Certified; ETL Listed

Cabinet Features

- Unique Goodman® sound control top design
- Steel louver coil guard
- Heavy-gauge galvanized-steel cabinet
- Attractive Architectural Gray powder-paint finish with 500-hour salt-spray approval
- When properly anchored, meets the 2001 Florida Building Code unit integrity requirements for hurricane-type winds

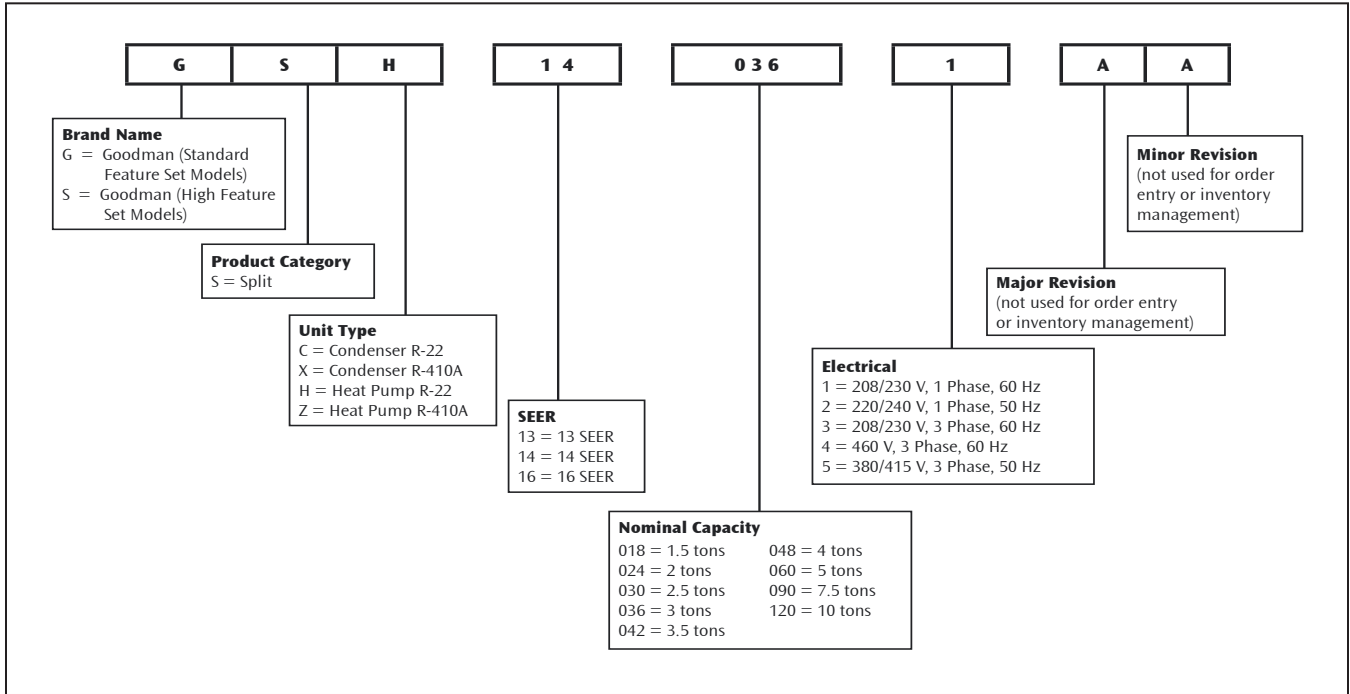
Accessories

- See list of accessories on Page 12.



PRODUCT SPECIFICATIONS

NOMENCLATURE



Important EnergyStar Notice: Proper sizing and installation of equipment is critical to achieve optimal performance. Split system air conditioners and heat pumps must be matched with appropriate coil components to meet EnergyStar criteria. Ask your contractor for details or visit www.energystar.gov.

SPECIFICATIONS

| | GSH14 0181A | GSH14 0241A | GSH14 0301A | GSH14 0361A | GSH14 0421A | GSH14 0481A | GSH14 0481B | GSH14 0601A |
|-----------------------------------------|----------------|----------------|----------------|----------------|----------------|----------------|----------------|----------------|
| Capacities and Ratings | | | | | | | | |
| Nominal Cooling (BTU/h) | 18,000 | 24,000 | 28,000 | 34,600 | 39,600 | 46,000 | 48,000 | 55,000 |
| Nominal Heating (BTU/h) | 18,000 | 24,000 | 27,600 | 34,600 | 39,600 | 46,000 | 46,000 | 55,000 |
| Decibels | 70 | 72 | 72 | 73 | 73 | 74 | 74 | 75 |
| Compressor | | | | | | | | |
| RLA | 9 | 10.9 | 12.2 | 13.4 | 16.0 | 18.3 | 17.9 | 19.8 |
| LRA | 41.0 | 54.0 | 63.0 | 73.0 | 88.0 | 109.0 | 104.0 | 137.0 |
| Condenser Fan Motor | | | | | | | | |
| Horsepower | 1/12 | 1/6 | 1/6 | 1/4 | 1/4 | 1/4 | 1/4 | 1/4 |
| FLA | 0.6 | 1.10 | 1.10 | 1.50 | 1.50 | 1.50 | 1.50 | 1.50 |
| Refrigerant Lines | | | | | | | | |
| Liquid Valve Size ("O.D.")* | 3/8" | 3/8" | 3/8" | 3/8" | 3/8" | 3/8" | 3/8" | 3/8" |
| Suction Valve Size ("O.D.")* | 3/4" | 3/4" | 3/4" | 7/8" | 7/8" | 7/8" | 7/8" | 7/8" |
| Valve Connection Type | Sweat | | | | Sweat | | | |
| Refrigerant Charge | 160 | 160 | 165 | 220 | 220 | 280 | 205 | 285 |
| Shipped with Orifice Size | TXV | TXV | TXV | TXV | TXV | TXV | TXV | TXV |
| Electrical Data | | | | | | | | |
| Volts / Hz / Phase | 208/230-60-1 | | | | 208/230-60-1 | | | |
| Minimum Circuit Ampacity ¹ | 11.8 | 14.7 | 16.3 | 18.3 | 21.5 | 27.8 | 23.9 | 27.3 |
| Maximum Overcurrent Device ² | 20 | 20 | 20 | 30 | 30 | 40 | 40 | 40 |
| Min / Max Volts | 197 / 253 | 197 / 253 | 197 / 253 | 197 / 253 | 197 / 253 | 197 / 253 | 197 / 253 | 197 / 253 |
| Electrical Conduit Size | 1/2" or 3/4" | 1/2" or 3/4" | 1/2" or 3/4" | 1/2" or 3/4" | 1/2" or 3/4" | 1/2" or 3/4" | 1/2" or 3/4" | 1/2" or 3/4" |
| Ship Weight (lbs) | 199 | 207 | 207 | 242 | 242 | 266 | TBD | 280 |

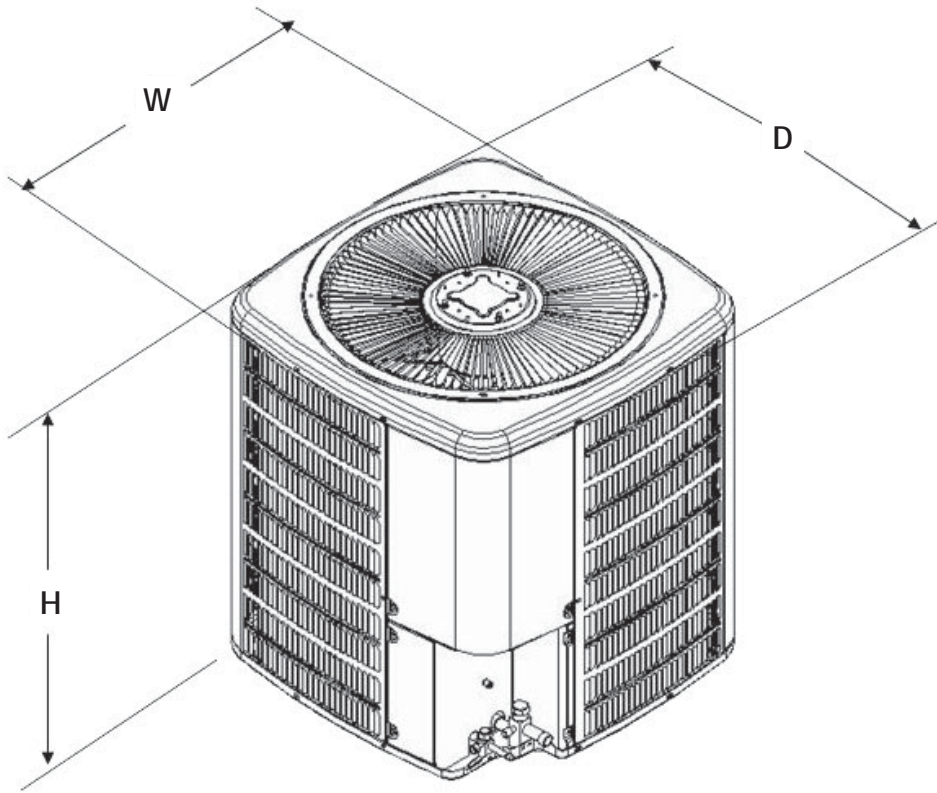
* Up to 35' in equivalent line length

¹ Wire size should be determined in accordance with National Electrical Codes; extensive wire runs will require larger wire sizes

² Must use time-delay fuses or HACR-type circuit breakers of the same size as noted

PRODUCT SPECIFICATIONS

DIMENSIONS



| Model | Dimensions W x D x H |
|------------|-------------------------|
| GSH140181A | 29 x 29 x 34¼ |
| GSH140241A | 29 x 29 x 38¼ |
| GSH140301A | 29 x 29 x 38¼ |
| GSH140361A | 35½ x 35½ x 38¼ |
| GSH140421A | 35½ x 35½ x 38¼ |
| GSH140481A | 35½ x 35½ x 38¼ |
| GSH140481B | 35½ x 35½ x 34¼ |
| GSH140601A | 35½ x 35½ x 38¼ |

See Notes on Page 6.

PERFORMANCE RATINGS

| Outdoor Unit | Indoor Unit | Cooling Capacity | | | TVA Ratings | | Heating Capacity | | | ARI # |
|--------------------------------|--------------------------------|------------------|--------|-------------------|------------------|--------|------------------|--------|-------------------|--------|
| | | Total | Sens. | SEER ¹ | EER ² | Total | Sens. | High | HSPF ³ | |
| GSH14 0181A* | AEPF183016A**+TXV | 18,000 | 13,320 | 15 | 11.5 | 16,740 | 13,392 | 18,000 | 8.2 | 10,400 |
| | AEPF030-00*-1 | 18,000 | 13,320 | 15 | 11.5 | 16,740 | 13,392 | 18,000 | 8.2 | 10,400 |
| | ARUF193116A**+TXV | 19,000 | 14,060 | 15 | 11.5 | 17,670 | 14,136 | 18,000 | 8.3 | 11,000 |
| | CA*F042*2*+G*V80704B**+TXV | 18,000 | 13,320 | 15 | 11.5 | 16,740 | 13,392 | 18,000 | 8.2 | 10,400 |
| | CA*F042*2*+G*V950453B**+TXV | 18,000 | 13,320 | 15 | 11.5 | 16,740 | 13,392 | 18,000 | 8.2 | 10,400 |
| | CA*F042*2*+MBE1200**-1+TXV | 18,000 | 13,320 | 15 | 11.5 | 16,740 | 13,392 | 18,000 | 8.2 | 10,400 |
| | CA*F042*2*+MBR0800**-1+TXV | 18,000 | 13,320 | 14 | 11.5 | 16,740 | 13,392 | 18,000 | 8.2 | 10,400 |
| | CA*F3131*6A**+G*V80704B**+TXV | 18,000 | 13,320 | 15 | 11.5 | 16,740 | 13,392 | 18,000 | 8.2 | 10,400 |
| | CA*F3131*6A**+G*V950453B**+TXV | 18,000 | 13,320 | 15 | 11.5 | 16,740 | 13,392 | 18,000 | 8.2 | 10,400 |
| | CA*F3131*6A**+MBE1200**-1+TXV | 18,000 | 13,320 | 14 | 11.5 | 16,740 | 13,392 | 18,000 | 8.2 | 10,400 |
| | CA*F3131*6A**+MBR0800**-1+TXV | 18,000 | 13,320 | 14 | 11.5 | 16,740 | 13,392 | 18,000 | 8.2 | 10,400 |
| | CA*F3131*6A**+TXV+G*V950704C** | 18,600 | 13,764 | 15 | 11.5 | 17,298 | 13,838 | 18,000 | 8.3 | 11,000 |
| | CAPF3131*6A**+EEP+TXV | 19,000 | 14,060 | 14 | 11.5 | 17,670 | 14,136 | 18,000 | 8.3 | 11,000 |
| | CHPF042B2**+G*V80704B**+TXV | 18,000 | 13,320 | 15 | 11.5 | 16,740 | 13,392 | 18,000 | 8.2 | 10,400 |
| | CHPF042B2**+G*V950453B**+TXV | 18,000 | 13,320 | 15 | 11.5 | 16,740 | 13,392 | 18,000 | 8.2 | 10,400 |
| | CHPF042B2**+MBR0800**-1+TXV | 18,000 | 13,320 | 14 | 11.5 | 16,740 | 13,392 | 18,000 | 8.2 | 10,400 |
| | CHPF2430B6A**+G*V80704B**+TXV | 18,000 | 13,320 | 15 | 11.5 | 16,740 | 13,392 | 18,000 | 8.2 | 10,400 |
| | CHPF2430B6A**+G*V950453B**+TXV | 18,000 | 13,320 | 15 | 11.5 | 16,740 | 13,392 | 18,000 | 8.2 | 10,400 |
| | CHPF2430B6A**+MBR0800**-1+TXV | 18,000 | 13,320 | 14 | 11.5 | 16,740 | 13,392 | 18,000 | 8.2 | 10,400 |
| | CSCF3036N6A**+G*V80704B**+TXV | 18,000 | 13,320 | 15 | 11.5 | 16,740 | 13,392 | 18,000 | 8.2 | 10,400 |
| CSCF3036N6A**+G*V950453B**+TXV | 18,000 | 13,320 | 15 | 11.5 | 16,740 | 13,392 | 18,000 | 8.2 | 10,400 | |
| CSCF3036N6A**+MBR0800**-1+TXV | 18,000 | 13,320 | 14 | 11.5 | 16,740 | 13,392 | 18,000 | 8.2 | 10,400 | |
| H49F+G*V80704B**+TXV | 18,000 | 13,320 | 15 | 11.5 | 16,740 | 13,392 | 18,000 | 8.2 | 10,400 | |
| H49F+G*V950453B**+TXV | 18,000 | 13,320 | 15 | 11.5 | 16,740 | 13,392 | 18,000 | 8.2 | 10,400 | |
| H49F+MBR0800**-1+TXV | 18,000 | 13,320 | 14 | 11.5 | 16,740 | 13,392 | 18,000 | 8.2 | 10,400 | |

¹ Seasonal Energy Efficiency Ratio
² Energy Efficiency Ratio @ 80 °F/67 °F/95 °F
³ HSPF = Heating Seasonal Performance Factor

Notes:

- Order the EEP from the Service Department using Part No. B13707-38 or new Solid State Board B13707-35S.
- Part No. B13707-38 is not interchangeable with B13707-35S.
- When mix-matching outdoor and indoor units, the indoor unit check flowrator must match the outdoor unit size.

PERFORMANCE RATINGS (CONT.)

| Outdoor Unit | Indoor Unit | Cooling Capacity | | | TVA Ratings | | Heating Capacity | | | ARI # | |
|--------------------------------|-------------------------------|------------------|--------|-------------------|------------------|--------|------------------|--------|-------------------|---------|---------|
| | | Total | Sens. | SEER ¹ | EER ² | Total | Sens. | High | HSPF ³ | | Low |
| GSH14 0241A* | ADPF304216A**+TXV | 24,000 | 18,240 | 14 | 11.5 | 22,320 | 18,079 | 24,000 | 8.2 | 15,000 | 1031666 |
| | AEPF303616A**+TXV | 24,000 | 18,240 | 15 | 11.5 | 22,320 | 18,079 | 24,000 | 8.2 | 15,000 | 1031650 |
| | AEPT036-00*-1* | 24,000 | 18,240 | 15 | 11.5 | 22,320 | 18,079 | 24,000 | 8.2 | 15,000 | 890324 |
| | ARUF193116A**+TXV | 25,000 | 19,000 | 14 | 12 | 23,250 | 18,833 | 24,000 | 8.5 | 14,000 | 1032064 |
| | CA*F048*2*+G*V80704B**+TXV | 23,000 | 17,480 | 15 | 11.5 | 21,390 | 17,326 | 23,000 | 8.2 | 15,000 | 890066 |
| | CA*F048*2*+G*V950453B** | 23,600 | 17,936 | 14 | 11.5 | 21,948 | 17,778 | 23,600 | 8.2 | 15,000 | 890211 |
| | CA*F048*2*+MBE1200**-1+TXV | 24,000 | 18,240 | 15 | 11.5 | 22,320 | 18,079 | 24,000 | 8.2 | 15,000 | 890304 |
| | CA*F048*2*+MBR0800**-1+TXV | 24,000 | 18,240 | 14 | 11.5 | 22,320 | 18,079 | 24,000 | 8.4 | 15,000 | 890171 |
| | CA*F3636*6A**+EEP+TXV | 24,000 | 18,240 | 14 | 12 | 22,320 | 18,079 | 24,800 | 8.5 | 14,000 | 1038375 |
| | CA*F3636*6A**+G*V80704B**+TXV | 23,000 | 17,480 | 15 | 11.5 | 21,390 | 17,326 | 23,000 | 8.2 | 15,000 | 890241 |
| | CA*F3636*6A**+G*V950453B** | 23,600 | 17,936 | 14 | 11.5 | 21,948 | 17,778 | 23,600 | 8.2 | 15,000 | 890335 |
| | CA*F3636*6A**+MBE1200**-1+TXV | 24,000 | 18,240 | 15 | 11.5 | 22,320 | 18,079 | 24,000 | 8.2 | 15,000 | 890044 |
| | CA*F3636*6A**+MBR0800**-1+TXV | 24,000 | 18,240 | 14 | 11.5 | 22,320 | 18,079 | 24,000 | 8.4 | 15,000 | 890125 |
| | CHPF3636*6A**+MBE1200**-1+TXV | 24,000 | 18,240 | 14 | 11.5 | 22,320 | 18,079 | 24,000 | 8.2 | 15,000 | 890090 |
| | CHPF3636B6A**+EEP+TXV | 24,000 | 18,240 | 14 | 12 | 22,320 | 18,079 | 24,800 | 8.5 | 14,000 | 1038814 |
| | CHPF3636B6A**+G*V80704B**+TXV | 24,000 | 18,240 | 14.5 | 11.5 | 22,320 | 18,079 | 24,000 | 8.4 | 15,000 | 890398 |
| CHPF3636B6A**+G*V950453B**+TXV | 24,000 | 18,240 | 14.5 | 11.5 | 22,320 | 18,079 | 24,000 | 8.4 | 15,000 | 890047 | |
| CHPF3636B6A**+MBR0800**-1+TXV | 24,000 | 18,240 | 14 | 11.5 | 22,320 | 18,079 | 24,000 | 8.2 | 15,000 | 1032324 | |
| CSCF3036N6A**+G*V80704B**+TXV | 24,000 | 18,240 | 14.5 | 11.5 | 22,320 | 18,079 | 24,000 | 8.4 | 15,000 | 890411 | |
| CSCF3036N6A**+G*V950453B**+TXV | 24,000 | 18,240 | 14.5 | 11.5 | 22,320 | 18,079 | 24,000 | 8.4 | 15,000 | 890267 | |
| H49F+G*V80704B**+TXV | 24,000 | 18,240 | 14.5 | 11.5 | 22,320 | 18,079 | 24,000 | 8.4 | 15,000 | 890188 | |
| H49F+G*V950453B**+TXV | 24,000 | 18,240 | 14.5 | 11.5 | 22,320 | 18,079 | 24,000 | 8.4 | 15,000 | 890413 | |
| H49F+MBR0800**-1+TXV | 24,000 | 18,240 | 14 | 11.5 | 22,320 | 18,079 | 24,000 | 8.4 | 15,000 | 890318 | |

1 Seasonal Energy Efficiency Ratio
 2 Energy Efficiency Ratio @ 80 °F/67 °F/95 °F
 3 HSPF = Heating Seasonal Performance Factor

Notes:

- Order the EEP from the Service Department using Part No. B13707-38 or new Solid State Board B13707-35S.
- Part No. B13707-38 is not interchangeable with B13707-35S.
- When mix-matching outdoor and indoor units, the indoor unit check flowrator must match the outdoor unit size.

PERFORMANCE RATINGS (CONT.)

| Outdoor Unit | Indoor Unit | Cooling Capacity | | | TVA Ratings | | | Heating Capacity | | | ARI # |
|-------------------------------|-------------------------------|------------------|--------|-------------------|------------------|--------|--------|------------------|-------------------|---------|---------|
| | | Total | Sens. | SEER ¹ | EER ² | Total | Sens. | High | HSFP ³ | Low | |
| GSH14 0301A* | AEPF303616A*+TXV | 28,000 | 22,400 | 15 | 11.5 | 26,040 | 22,134 | 27,600 | 8.4 | 16,800 | 1031671 |
| | AEPT036-00*-1* | 28,000 | 22,400 | 15 | 11.5 | 26,040 | 22,134 | 27,600 | 8.4 | 16,800 | 890431 |
| | ARUF193116A*+TXV | 28,000 | 22,400 | 14 | 11.5 | 26,040 | 22,134 | 26,600 | 8.3 | 17,400 | 1032068 |
| | CA*F048*2*+MBR1200**-1+TXV | 28,000 | 22,400 | 14 | 11.5 | 26,040 | 22,134 | 27,600 | 8.4 | 16,800 | 890302 |
| | CA*F060*2*+MBE1600**-1+TXV | 28,000 | 22,400 | 15 | 11.5 | 26,040 | 22,134 | 27,600 | 8.4 | 16,800 | 890110 |
| | CA*F060*2*+G*V80905C**+TXV | 28,000 | 22,400 | 14.5 | 11.5 | 26,040 | 22,134 | 27,600 | 8.4 | 16,800 | 890033 |
| | CA*F060*2*+G*V81155C**+TXV | 28,000 | 22,400 | 14.5 | 11.5 | 26,040 | 22,134 | 27,600 | 8.4 | 16,800 | 890120 |
| | CA*F3642*6A*+EEP+TXV | 28,000 | 22,400 | 14 | 12 | 26,040 | 22,134 | 27,000 | 8.5 | 18,000 | 1038374 |
| | CA*F3642*6A*+G*V80905C**+TXV | 28,000 | 22,400 | 14.5 | 11.5 | 26,040 | 22,134 | 27,600 | 8.4 | 16,800 | 890404 |
| | CA*F3642*6A*+G*V81155C**+TXV | 28,000 | 22,400 | 14.5 | 11.5 | 26,040 | 22,134 | 27,600 | 8.4 | 16,800 | 890276 |
| | CA*F3642*6A*+MBE1600**-1+TXV | 28,000 | 22,400 | 15 | 11.5 | 26,040 | 22,134 | 27,600 | 8.4 | 16,800 | 1031648 |
| | CA*F3642*6A*+MBR1200**-1+TXV | 28,000 | 22,400 | 14 | 11.5 | 26,040 | 22,134 | 27,600 | 8.4 | 16,800 | 890208 |
| | CA*F3642*6A*+MBR1600**-1+TXV | 28,000 | 22,400 | 14 | 12 | 26,040 | 22,134 | 27,000 | 8.5 | 18,000 | 1032065 |
| | CA*F3642*6A*+TXV+G*V950704C** | 28,000 | 22,400 | 14.5 | 12 | 26,040 | 22,134 | 27,000 | 8.5 | 18,000 | 1032067 |
| | CHPF048D2*+MBE1600**-1+TXV | 28,000 | 22,400 | 15 | 11.5 | 26,040 | 22,134 | 27,600 | 8.4 | 16,800 | 1032315 |
| | CHPF048D2*+MBR1600**-1+TXV | 28,000 | 22,400 | 14 | 11.5 | 26,040 | 22,134 | 27,600 | 8.4 | 16,800 | 1032327 |
| | CHPF048D2*+TXV+G*V81155C** | 28,000 | 22,400 | 14.5 | 11.5 | 26,040 | 22,134 | 27,600 | 8.4 | 16,800 | 1032320 |
| | CHPF048D2*+TXV+G*V950704C** | 28,000 | 22,400 | 14.5 | 11.5 | 26,040 | 22,134 | 27,600 | 8.4 | 16,800 | 1032318 |
| | CHPF048D2*+TXV+G*V80905C** | 28,000 | 22,400 | 14.5 | 11.5 | 26,040 | 22,134 | 27,600 | 8.4 | 16,800 | 1032314 |
| | CHPF3642*6A*+G*V80905C**+TXV | 28,000 | 22,400 | 14.5 | 11.5 | 26,040 | 22,134 | 27,600 | 8.4 | 16,800 | 890180 |
| | CHPF3642*6A*+G*V81155C**+TXV | 28,000 | 22,400 | 14.5 | 11.5 | 26,040 | 22,134 | 27,600 | 8.4 | 16,800 | 890226 |
| | CHPF3642*6A*+G*V950704C**+TXV | 28,000 | 22,400 | 14.5 | 11.5 | 26,040 | 22,134 | 27,600 | 8.4 | 16,800 | 890070 |
| | CHPF3642*6A*+EEP+TXV | 28,000 | 22,400 | 14 | 12 | 26,040 | 22,134 | 27,000 | 8.5 | 18,000 | 1044494 |
| | CHPF3642C6A*+MBE1600**-1+TXV | 28,000 | 22,400 | 15 | 11.5 | 26,040 | 22,134 | 27,600 | 8.4 | 16,800 | 1032313 |
| CHPF3642C6A*+MBR1600**-1+TXV | 28,000 | 22,400 | 14 | 11.5 | 26,040 | 22,134 | 27,600 | 8.4 | 16,800 | 1032321 | |
| CSCF3642N6A*+G*V80905C**+TXV | 28,000 | 22,400 | 14.5 | 11.5 | 26,040 | 22,134 | 27,600 | 8.4 | 16,800 | 890405 | |
| CSCF3642N6A*+G*V81155C**+TXV | 28,000 | 22,400 | 14.5 | 11.5 | 26,040 | 22,134 | 27,600 | 8.4 | 16,800 | 890328 | |
| CSCF3642N6A*+G*V950704C**+TXV | 28,000 | 22,400 | 14.5 | 11.5 | 26,040 | 22,134 | 27,600 | 8.4 | 16,800 | 890079 | |
| CSCF3642N6A*+MBR1600**-1+TXV | 28,000 | 22,400 | 14 | 11.5 | 26,040 | 22,134 | 27,600 | 8.4 | 16,800 | 1031656 | |
| H60F+G*V80905C**+TXV | 28,000 | 22,400 | 14.5 | 11.5 | 26,040 | 22,134 | 27,600 | 8.4 | 16,800 | 890342 | |
| H60F+G*V81155C**+TXV | 28,000 | 22,400 | 14.5 | 11.5 | 26,040 | 22,134 | 27,600 | 8.4 | 16,800 | 890367 | |
| H60F+G*V950704C**+TXV | 28,000 | 22,400 | 14.5 | 11.5 | 26,040 | 22,134 | 27,600 | 8.4 | 16,800 | 890216 | |
| H60F+MBR1600**-1+TXV | 28,000 | 22,400 | 14 | 11.5 | 26,040 | 22,134 | 27,600 | 8.4 | 16,800 | 890158 | |

PRODUCT SPECIFICATIONS

PERFORMANCE RATINGS (CONT.)

| Outdoor Unit | Indoor Unit | Cooling Capacity | | | TVA Ratings | | | Heating Capacity | | | ARI # |
|--------------------------------|-------------------------------|------------------|--------|-------------------|------------------|--------|--------|------------------|-------------------|---------|---------|
| | | Total | Sens. | SEER ¹ | EER ² | Total | Sens. | High | HSPF ³ | Low | |
| GSH14 0361A* | AEPF426016A*+TXV | 34,600 | 24,566 | 14.5 | 12 | 32,178 | 27,351 | 34,600 | 8.75 | 21,600 | 1031644 |
| | AEPT060-00*-1* | 34,600 | 24,566 | 15 | 12.5 | 32,178 | 27,351 | 34,600 | 8.75 | 21,600 | 890320 |
| | ARPF374316A*+TXV | 36,000 | 25,560 | 14 | 12 | 33,480 | 28,458 | 34,600 | 8.75 | 22,000 | 1044503 |
| | ARUF374316A*+TXV | 36,000 | 25,560 | 14 | 12 | 33,480 | 28,458 | 34,600 | 9 | 22,000 | 1032069 |
| | CA*F061*2*+G*V81155C**+TXV | 34,600 | 24,566 | 14.5 | 12 | 32,178 | 27,351 | 34,600 | 8.75 | 21,600 | 890115 |
| | CA*F061*2*+G*V90905D**+TXV | 34,600 | 24,566 | 15 | 12.5 | 32,178 | 27,351 | 34,600 | 8.75 | 21,600 | 890274 |
| | CA*F061*2*+G*V950704C**+TXV | 34,600 | 24,566 | 14.5 | 12 | 32,178 | 27,351 | 34,600 | 8.75 | 21,600 | 890101 |
| | CA*F061*2*+G*V950905D**+TXV | 34,600 | 24,566 | 15 | 12.5 | 32,178 | 27,351 | 34,600 | 8.75 | 21,600 | 890381 |
| | CA*F061*2*+MBE1600**-1+TXV | 34,600 | 24,566 | 14.5 | 12 | 32,178 | 27,351 | 34,600 | 8.75 | 21,600 | 890402 |
| | CA*F061*2*+MBE2000**-1+TXV | 34,600 | 24,566 | 15 | 12.5 | 32,178 | 27,351 | 34,600 | 8.75 | 21,600 | 890196 |
| | CA*F061*2*+MBR1600**-1+TXV | 34,600 | 24,566 | 14 | 12 | 32,178 | 27,351 | 34,600 | 8.75 | 21,600 | 890298 |
| | CA*F061*2*+TXV+G*V951155D** | 34,600 | 24,566 | 15 | 12.5 | 32,178 | 27,351 | 34,600 | 8.75 | 21,600 | 1031663 |
| | CA*F4860*6A*+EEP+TXV | 36,000 | 25,560 | 14 | 12 | 33,480 | 28,458 | 34,600 | 8.75 | 22,000 | 1038369 |
| | CA*F4860*6A*+G*V80905C**+TXV | 34,600 | 24,566 | 14.5 | 12 | 32,178 | 27,351 | 34,600 | 8.75 | 21,600 | 890257 |
| | CA*F4860*6A*+G*V81155C**+TXV | 34,600 | 24,566 | 14.5 | 12 | 32,178 | 27,351 | 34,600 | 8.75 | 21,600 | 890463 |
| | CA*F4860*6A*+G*V90905D**+TXV | 34,600 | 24,566 | 15 | 12.5 | 32,178 | 27,351 | 34,600 | 8.75 | 21,600 | 890054 |
| | CA*F4860*6A*+G*V950704C**+TXV | 34,600 | 24,566 | 14.5 | 12 | 32,178 | 27,351 | 34,600 | 8.75 | 21,600 | 890144 |
| | CA*F4860*6A*+G*V950905D**+TXV | 34,600 | 24,566 | 15 | 12.5 | 32,178 | 27,351 | 34,600 | 8.75 | 21,600 | 890440 |
| | CA*F4860*6A*+MBE1600**-1+TXV | 34,600 | 24,566 | 14.5 | 12 | 32,178 | 27,351 | 34,600 | 8.75 | 21,600 | 890437 |
| | CA*F4860*6A*+MBE2000**-1+TXV | 34,600 | 24,566 | 15 | 12.5 | 32,178 | 27,351 | 34,600 | 8.75 | 21,600 | 890209 |
| | CA*F4860*6A*+MBR1600**-1+TXV | 34,600 | 24,566 | 14 | 12 | 32,178 | 27,351 | 34,600 | 8.75 | 21,600 | 890227 |
| | CA*F4860*6A*+TXV+G*V951155D** | 34,600 | 24,566 | 15 | 12.5 | 32,178 | 27,351 | 34,600 | 8.75 | 21,600 | 1031645 |
| | CHPF4860D6A*+EEP+TXV | 34,600 | 24,600 | 14 | 12.0 | 32,100 | 27,300 | 34,600 | 8.75 | 22,000 | 1145048 |
| | CHPF4860D6A*+MBE1600**-1+TXV | 34,600 | 24,600 | 15 | 12.5 | 32,100 | 27,300 | 34,600 | 9.0 | 21,600 | 1145058 |
| CHPF4860D6A*+MBE2000**-1A*+TXV | 34,600 | 24,600 | 15 | 12.5 | 32,100 | 27,300 | 34,600 | 9.0 | 21,600 | 1145314 | |
| CHPF4860D6A*+TXV+G*V950905D** | 34,600 | 24,600 | 15 | 12.5 | 32,100 | 27,300 | 34,600 | 9.0 | 21,600 | 1128622 | |
| CHPF4860D6A*+TXV+G*V951155D** | 34,600 | 24,600 | 15 | 12.5 | 32,100 | 27,300 | 34,600 | 9.0 | 21,600 | 1128625 | |
| CHPF4860D6A*+TXV+G*V90905D** | 34,600 | 24,600 | 15 | 12.5 | 32,100 | 27,300 | 34,600 | 9.0 | 21,600 | 1145047 | |
| CSCF4860N6A*+EEP+TXV | 34,600 | 24,600 | 14 | 12.5 | 32,100 | 27,300 | 34,600 | 8.75 | 22,000 | 1145049 | |
| CSCF4860N6A*+TXV+G*V90905D** | 34,600 | 24,600 | 15 | 12.5 | 32,100 | 27,300 | 34,600 | 8.75 | 21,600 | 1128626 | |
| CSCF4860N6A*+TXV+G*V951155D** | 34,600 | 24,600 | 15 | 12.5 | 32,100 | 27,300 | 34,600 | 8.75 | 21,600 | 1128627 | |
| H61F+TXV+G*V90905D** | 34,600 | 24,600 | 15 | 12.5 | 32,100 | 27,300 | 34,600 | 8.75 | 21,600 | 1128623 | |
| H61F+TXV+G*V951155D** | 34,600 | 24,600 | 15 | 12.5 | 32,100 | 27,300 | 34,600 | 8.75 | 21,600 | 1128624 | |

PERFORMANCE RATINGS (CONT.)

| Outdoor Unit | Indoor Unit | Cooling Capacity | | | TVA Ratings | | | Heating Capacity | | | ARI # |
|-------------------------------|-------------------------------|------------------|--------|-------------------|------------------|--------|--------|------------------|-------------------|---------|---------|
| | | Total | Sens. | SEER ¹ | EER ² | Total | Sens. | High | HSPF ³ | Low | |
| GSH14 0421A* | AEPF426016A*+TXV | 39,500 | 30,810 | 15 | 12.5 | 36,735 | 30,857 | 39,500 | 9 | 25,000 | 1031664 |
| | AEPF060-00*-1* | 39,500 | 30,810 | 15 | 12.5 | 36,735 | 30,857 | 39,500 | 9 | 25,000 | 890338 |
| | ARPF374316A*+TXV | 40,000 | 31,200 | 14 | 12 | 37,200 | 31,248 | 39,000 | 9 | 25,000 | 1044501 |
| | ARUF374316A*+TXV | 39,500 | 30,810 | 14 | 12 | 36,735 | 30,857 | 39,500 | 9 | 25,000 | 1031668 |
| | CA*F061*2*+G*V950905D**+TXV | 39,500 | 30,810 | 15 | 12.5 | 36,735 | 30,857 | 39,500 | 9 | 25,000 | 890072 |
| | CA*F061*2*+G*V951155D**+TXV | 39,500 | 30,810 | 15 | 12.5 | 36,735 | 30,857 | 39,500 | 9 | 25,000 | 890250 |
| | CA*F061*2*+MBE2000**_-1+TXV | 39,500 | 30,810 | 15 | 12.5 | 36,735 | 30,857 | 39,500 | 9 | 25,000 | 890337 |
| | CA*F061*2*+MBR2000**_-1+TXV | 39,500 | 30,810 | 14 | 12 | 36,735 | 30,857 | 39,500 | 9 | 25,000 | 890260 |
| | CA*F4860*6A*+EEP+TXV | 40,000 | 31,200 | 14 | 12 | 37,200 | 31,248 | 39,000 | 9 | 25,000 | 1038367 |
| | CA*F4860*6A*+G*V950905D**+TXV | 39,500 | 30,810 | 15 | 12.5 | 36,735 | 30,857 | 39,500 | 9 | 25,000 | 890105 |
| | CA*F4860*6A*+G*V951155D**+TXV | 39,500 | 30,810 | 15 | 12.5 | 36,735 | 30,857 | 39,500 | 9 | 25,000 | 890313 |
| | CA*F4860*6A*+MBE2000**_-1+TXV | 39,500 | 30,810 | 15 | 12.5 | 36,735 | 30,857 | 39,500 | 9 | 25,000 | 890456 |
| | CA*F4860*6A*+MBR2000**_-1+TXV | 39,500 | 30,810 | 14 | 12 | 36,735 | 30,857 | 39,500 | 9 | 25,000 | 890434 |
| | CHPF060D2*+G*V951155D**+TXV | 39,500 | 30,810 | 15 | 12.5 | 36,735 | 30,857 | 39,500 | 9 | 25,000 | 890264 |
| | CHPF060D2*+MBR2000**_-1+TXV | 39,500 | 30,810 | 14 | 12 | 36,735 | 30,857 | 39,500 | 9 | 25,000 | 890347 |
| | CHPF4860*6A*+G*V950905D**+TXV | 39,500 | 30,810 | 15 | 12.5 | 36,735 | 30,857 | 39,500 | 9 | 25,000 | 890117 |
| CHPF4860*6A*+G*V951155D**+TXV | 39,500 | 30,810 | 15 | 12.5 | 36,735 | 30,857 | 39,500 | 9 | 25,000 | 890280 | |
| CHPF4860*6A*+MBE2000**_-1+TXV | 39,500 | 30,810 | 15 | 12 | 36,735 | 30,857 | 39,500 | 9 | 25,000 | 890025 | |
| CHPF4860D6A*+EEP+TXV | 40,000 | 31,200 | 14 | 12 | 37,200 | 31,248 | 39,000 | 9 | 25,000 | 1046124 | |
| CHPF4860D6A*+MBR2000**_-1+TXV | 40,000 | 31,200 | 14 | 12 | 37,200 | 31,248 | 39,000 | 9 | 25,000 | 1031772 | |
| CSCF4860N6A*+TXV+G*V950905D** | 39,500 | 30,810 | 15 | 12.5 | 36,735 | 30,857 | 39,500 | 9 | 25,000 | 1031657 | |
| CSCF4860N6A*+TXV+G*V951155D** | 39,500 | 30,810 | 15 | 12.5 | 36,735 | 30,857 | 39,500 | 9 | 25,000 | 1031662 | |
| CSCF4860N6A*+EEP+TXV | 39,000 | 28,500 | 14 | 12.0 | 36,500 | 28,500 | 38,500 | 9.0 | 25,000 | 1145050 | |
| H61F+MBR2000**_-1+TXV | 39,500 | 30,810 | 15 | 12.5 | 36,735 | 30,857 | 39,500 | 9 | 25,000 | 890349 | |
| H61F+TXV+G*V951155D** | 39,500 | 30,810 | 15 | 12.5 | 36,735 | 30,857 | 39,500 | 9 | 25,000 | 1031654 | |

¹ Seasonal Energy Efficiency Ratio

² Energy Efficiency Ratio @ 80 °F/67 °F/95 °F

³ HSPF = Heating Seasonal Performance Factor

Notes:

- Order the EEP from the Service Department using Part No. B13707-38 or new Solid State Board B13707-35S.
- Part No. B13707-38 is not interchangeable with B13707-35S.
- When mix-matching outdoor and indoor units, the indoor unit check flowrator must match the outdoor unit size.

PERFORMANCE RATINGS (CONT.)

| Outdoor Unit | Indoor Unit | Cooling Capacity | | | TVA Ratings | | | Heating Capacity | | | ARI # |
|-------------------------------|-------------------------------|------------------|--------|-------------------|------------------|--------|--------|------------------|-------------------|---------|---------|
| | | Total | Sens. | SEER ¹ | EER ² | Total | Sens. | High | HSPF ³ | Low | |
| GSH14 0481A* /B* | ADPF48601A*+TXV | 46,000 | 34,040 | 13.5 | 11.8 | 42,780 | 33,796 | 46,000 | 8.5 | 30,000 | 890391 |
| | AEPF426016A*+TXV | 45,500 | 33,670 | 15 | 12.5 | 42,315 | 33,429 | 46,000 | 8.75 | 30,000 | 1031651 |
| | AEPT060-00*-1* | 45,500 | 33,670 | 15 | 12.5 | 42,315 | 33,429 | 46,000 | 8.75 | 30,000 | 890135 |
| | ARPF374316A*+TXV | 47,000 | 34,780 | 14 | 12 | 43,710 | 34,531 | 46,000 | 9 | 29,000 | 1044498 |
| | ARUF374316A*+TXV | 46,000 | 34,040 | 14 | 12 | 42,780 | 33,796 | 46,000 | 8.5 | 30,000 | 1031655 |
| | CA*F061*2+G*V950905D** | 46,000 | 34,040 | 14.5 | 12 | 42,780 | 33,796 | 46,000 | 8.5 | 30,000 | 890373 |
| | CA*F061*2+G*V950905D**+TXV | 46,000 | 34,040 | 14.5 | 12 | 42,780 | 33,796 | 46,000 | 8.5 | 30,000 | 890083 |
| | CA*F061*2+MBE2000**-1+TXV | 46,000 | 34,040 | 15 | 12.5 | 42,780 | 33,796 | 46,000 | 8.75 | 30,000 | 890426 |
| | CA*F061*2+MBR2000**-1+TXV | 46,000 | 34,040 | 14 | 12 | 42,780 | 33,796 | 46,000 | 8.5 | 30,000 | 890223 |
| | CA*F061*2+TXV+G*V951155D** | 46,000 | 34,040 | 14.5 | 12 | 42,780 | 33,796 | 46,000 | 8.5 | 30,000 | 1031649 |
| | CA*F4860*6A*+EEP+TXV | 55,000 | 40,700 | 14 | 12 | 51,150 | 40,409 | 46,000 | 8.5 | 29,000 | 1038368 |
| | CA*F4860*6A*+G*V950905D** | 46,000 | 34,040 | 14.5 | 12 | 42,780 | 33,796 | 46,000 | 8.5 | 30,000 | 890265 |
| | CA*F4860*6A*+G*V950905D**+TXV | 46,000 | 34,040 | 14.5 | 12 | 42,780 | 33,796 | 46,000 | 8.5 | 30,000 | 890126 |
| | CA*F4860*6A*+MBE2000**-1+TXV | 46,000 | 34,040 | 15 | 12.5 | 42,780 | 33,796 | 46,000 | 8.75 | 30,000 | 890449 |
| | CA*F4860*6A*+MBR2000**-1+TXV | 46,000 | 34,040 | 14 | 12 | 42,780 | 33,796 | 46,000 | 8.5 | 30,000 | 890119 |
| | CA*F4860*6A*+TXV+G*V951155D** | 46,000 | 34,040 | 14.5 | 12 | 42,780 | 33,796 | 46,000 | 8.5 | 30,000 | 1031667 |
| CHPF060D2*+G*V950905D** | 46,000 | 34,040 | 14.5 | 12 | 42,780 | 33,796 | 46,000 | 8.5 | 30,000 | 890300 | |
| CHPF4860D6A*+EEP+TXV | 55,000 | 40,700 | 14 | 12 | 51,150 | 40,409 | 46,000 | 8.5 | 29,000 | 1046125 | |
| CHPF4860D6A*+MBR2000**-1+TXV | 46,000 | 34,040 | 14.5 | 12 | 42,780 | 33,796 | 46,000 | 8.5 | 30,000 | 890362 | |
| CHPF4860D6A*+TXV+G*V951155D** | 46,000 | 34,040 | 14.5 | 12 | 42,780 | 33,796 | 46,000 | 8.5 | 30,000 | 1031660 | |
| CSCF4860N6A*+G*V950905D**+TXV | 46,000 | 34,040 | 14.5 | 12 | 42,780 | 33,796 | 46,000 | 8.5 | 30,000 | 890133 | |
| CSCF4860N6A*+G*V951155D**+TXV | 46,000 | 34,040 | 14.5 | 12 | 42,780 | 33,796 | 46,000 | 8.5 | 30,000 | 890403 | |
| CSCF4860N6A*+MBR2000**-1+TXV | 46,000 | 34,040 | 14.5 | 12 | 42,780 | 33,796 | 46,000 | 8.5 | 30,000 | 1031647 | |
| H61F+G*V950905D** | 46,000 | 34,040 | 14.5 | 12 | 42,780 | 33,796 | 46,000 | 8.8 | 30,000 | 890189 | |
| H61F+G*V950905D**+TXV | 46,000 | 34,040 | 14.5 | 12 | 42,780 | 33,796 | 46,000 | 8.5 | 30,000 | 890323 | |
| H61F+G*V951155D**+TXV | 46,000 | 34,040 | 14.5 | 12 | 42,780 | 33,796 | 46,000 | 8.5 | 30,000 | 890242 | |
| H61F+MBR2000**-1+TXV | 46,000 | 34,040 | 14.5 | 12 | 42,780 | 33,796 | 46,000 | 8.5 | 30,000 | 890192 | |

¹ Seasonal Energy Efficiency Ratio

² Energy Efficiency Ratio @ 80 °F/67 °F/95 °F

³ HSPF = Heating Seasonal Performance Factor

Notes:

- Order the EEP from the Service Department using Part No. B13707-38 or new Solid State Board B13707-35S.
- Part No. B13707-38 is not interchangeable with B13707-35S.
- When mix-matching outdoor and indoor units, the indoor unit check flowrator must match the outdoor unit size.

PERFORMANCE RATINGS (CONT.)

| Outdoor Unit | Indoor Unit | Cooling Capacity | | | TVA Ratings | | Heating Capacity | | | ARI # | |
|-------------------------------|-------------------------------|------------------|--------|-------------------|------------------|--------|------------------|--------|-------------------|---------|---------|
| | | Total | Sens. | SEER ¹ | EER ² | Total | Sens. | High | HSPF ³ | | Low |
| GSH14 0601A* | AEPF426016A*+TXV | 55,500 | 42,180 | 14.5 | 12 | 51,615 | 41,808 | 54,000 | 9 | 33,000 | 1031669 |
| | AEPF060-00*-1* | 55,500 | 42,180 | 14.5 | 12 | 51,615 | 41,808 | 54,000 | 9 | 33,000 | 890240 |
| | ARPF48601A*+TXV | 55,500 | 42,180 | 13.5 | 11.8 | 51,615 | 41,808 | 55,000 | 8.5 | 33,000 | 890395 |
| | ARPT061-00*-1*+TXV | 55,500 | 42,180 | 13.5 | 11.8 | 51,615 | 41,808 | 55,000 | 8.5 | 33,000 | 890406 |
| | ARUF061-00*-1*+TXV | 55,500 | 42,180 | 13.5 | 11.8 | 51,615 | 41,808 | 55,000 | 8.5 | 33,000 | 890148 |
| | ARUF48601A*+TXV | 55,500 | 42,180 | 13.5 | 11.8 | 51,615 | 41,808 | 55,000 | 8.5 | 33,000 | 890388 |
| | CA*F061*2*+G*V951155D**+TXV | 55,500 | 42,180 | 14 | 12 | 51,615 | 41,808 | 55,000 | 8.5 | 33,000 | 890344 |
| | CA*F061*2*+MBE2000**-1+TXV | 55,500 | 42,180 | 15 | 12.5 | 51,615 | 41,808 | 54,000 | 9 | 33,000 | 890198 |
| | CA*F061*2*+MBR2000**-1+TXV | 55,500 | 42,180 | 14 | 12 | 51,615 | 41,808 | 55,000 | 8.5 | 33,000 | 890131 |
| | CA*F061*2*+TXV+G*V81155C** | 55,000 | 41,800 | 14 | 12 | 51,150 | 41,432 | 55,000 | 8.5 | 34,000 | 1032076 |
| | CA*F4860*6A*+EEP+TXV | 55,000 | 41,800 | 14 | 12 | 51,150 | 41,432 | 55,000 | 8.5 | 34,000 | 1038365 |
| | CA*F4860*6A*+G*V950905D**+TXV | 55,500 | 42,180 | 14 | 12 | 51,615 | 41,808 | 55,000 | 8.5 | 33,000 | 890042 |
| | CA*F4860*6A*+MBE2000**-1+TXV | 55,500 | 42,180 | 15 | 12.5 | 51,615 | 41,808 | 54,000 | 9 | 33,000 | 890336 |
| | CA*F4860*6A*+MBR2000**-1+TXV | 55,500 | 42,180 | 14 | 12 | 51,615 | 41,808 | 55,000 | 8.5 | 33,000 | 890334 |
| | CA*F4860*6A*+TXV+G*V951155D** | 55,500 | 42,180 | 14 | 12 | 51,615 | 41,808 | 55,000 | 8.75 | 34,000 | 1032326 |
| | CHPF060*2*+MBR2000**-1+TXV | 55,500 | 42,180 | 14 | 12 | 51,615 | 41,808 | 54,000 | 8.5 | 33,000 | 890379 |
| | CHPF060D2*+G*V950905D**+TXV | 55,500 | 42,180 | 13.5 | 11.8 | 51,615 | 41,808 | 54,000 | 8.5 | 33,000 | 890427 |
| | CHPF060D2*+G*V951155D**+TXV | 55,500 | 42,180 | 13.5 | 11.8 | 51,615 | 41,808 | 54,000 | 8.5 | 33,000 | 890073 |
| | CHPF4860*6A*+MBE2000**-1+TXV | 55,500 | 42,180 | 15 | 12 | 51,615 | 41,808 | 55,000 | 9 | 33,000 | 890248 |
| | CHPF4860D6A*+EEP+TXV | 55,000 | 41,800 | 14 | 12 | 51,150 | 41,432 | 55,000 | 8.5 | 34,000 | 1046126 |
| CHPF4860D6A*+G*V950905D**+TXV | 55,500 | 42,180 | 13.5 | 11.8 | 51,615 | 41,808 | 54,000 | 8.5 | 33,000 | 890270 | |
| CHPF4860D6A*+G*V951155D**+TXV | 55,500 | 42,180 | 13.5 | 11.8 | 51,615 | 41,808 | 54,000 | 8.5 | 33,000 | 890368 | |
| CHPF4860D6A*+MBR2000**-1+TXV | 55,000 | 41,800 | 14 | 12 | 51,150 | 41,432 | 55,000 | 8.5 | 34,000 | 1031773 | |
| CSCF4860N6A*+G*V90905D**+TXV | 55,500 | 42,180 | 13.5 | 11.8 | 51,615 | 41,808 | 54,000 | 8.5 | 33,000 | 890022 | |
| CSCF4860N6A*+G*V951155D**+TXV | 55,500 | 42,180 | 13.5 | 11.8 | 51,615 | 41,808 | 54,000 | 8.5 | 33,000 | 890164 | |
| CSCF4860N6A*+MBR2000**-1+TXV | 55,500 | 42,180 | 14 | 11.5 | 51,615 | 41,808 | 54,000 | 8.5 | 33,000 | 1031674 | |
| H61F+G*V90905D**+TXV | 55,500 | 42,180 | 13.5 | 11.8 | 51,615 | 41,808 | 54,000 | 8.5 | 33,000 | 890142 | |
| H61F+G*V951155D**+TXV | 55,500 | 42,180 | 13.5 | 11.8 | 51,615 | 41,808 | 54,000 | 8.5 | 33,000 | 890352 | |
| H61F+MBR2000**-1+TXV | 55,500 | 42,180 | 14 | 11.5 | 51,615 | 41,808 | 54,000 | 8.5 | 33,000 | 890380 | |

PRODUCT SPECIFICATIONS

ACCESSORIES

| Model | Description | GSH14 018 | GSH14 024 | GSH14 030 | GSH14 036 | GSH14 042 | GSH14 048 | GSH14 060 |
|-----------------------|--------------------------|--------------|--------------|--------------|--------------|--------------|--------------|--------------|
| ABK-20 | Anchor Bracket Kit * | X | X | X | X | X | X | X |
| ASC-01 | Anti-Short Cycle Kit | X | X | X | X | X | X | X |
| CSR-U-1 | Hard-start Kit | X | X | X | X | | | |
| CSR-U-2 | Hard-start Kit | | | | X | X | X | X |
| CSR-U-3 | Hard-start Kit | | | | | | X | X |
| FSK01A ¹ | Freeze Protection Kit | X | X | X | X | X | X | X |
| OT18-60A ² | Outdoor Thermostat | X | X | X | X | X | X | X |
| OY/EHR18-60 | Emergency Heat Relay Kit | X | X | X | X | X | X | X |
| TX2N2 ³ | TXV Kit | X | | | | | | |
| TX3N2 ³ | TXV Kit | | X | X | X | | | |
| TX5N2 ³ | TXV Kit | | | | | X | X | X |

* Contains 20 brackets; four brackets needed to anchor unit to pad

¹ Installed on indoor coil

² Required for heat pump applications where ambient temperatures fall below 0 °F with 50% or higher relative humidity.

³ Field-installed, non-bleed, expansion valve kit



Air Conditioning & Heating

Goodman Manufacturing Company, L.P., reserves the right to discontinue, or change at any time, specifications or designs without notice or without incurring obligations.

*Copyright © 2007 • Goodman Manufacturing Company, L.P. • Houston, Texas
Printed in the USA.*