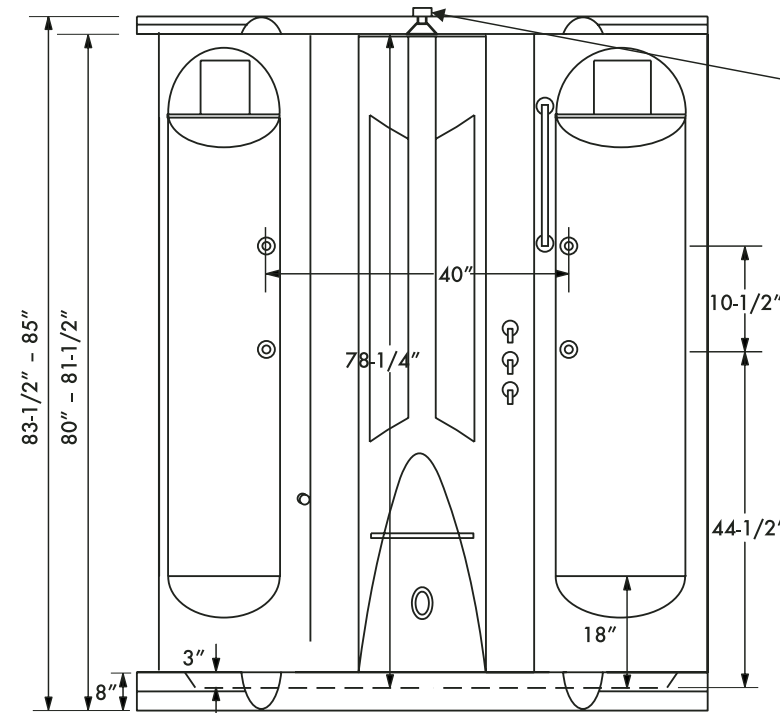


# TRANQUILITY



Note: Rainhead shower head extends 2-5/8" below ceiling height measurement

**Legend**

	Shower head
	Water controls
	Body spray
	Steam head

- Hot and cold 3/4" pipe water inlets preferred

**Electrical Requirements for Shower Units**

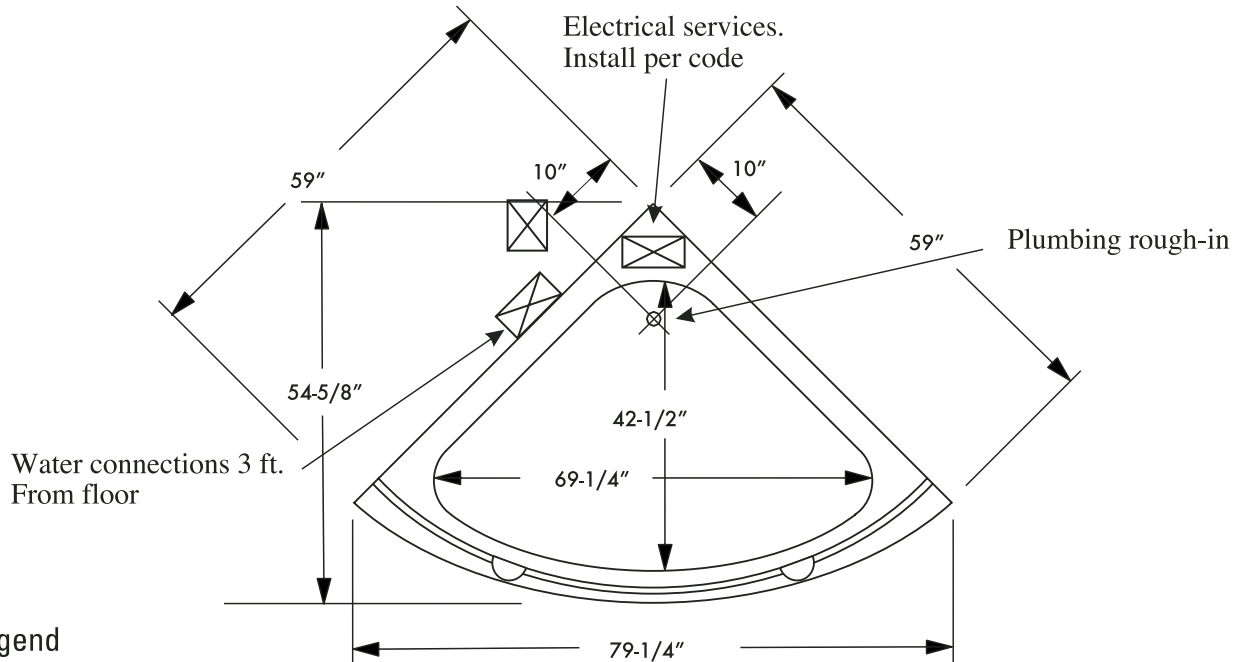
	Package "A"	"B"	"C"
110V, 15A Circuit	X	X	X
220V, 50A Circuit		X	X

Note: Steam Generator Package requires dedicated 220V, 50A Circuit

Note: Dome Light requires 110V, 15A Circuit

Note: Range in measurement allows for foot adjustment.

**FRONT VIEW**



**Legend**

	Water pump
--	------------

**PLAN VIEW**

Indulge yourself.™