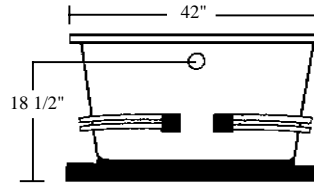
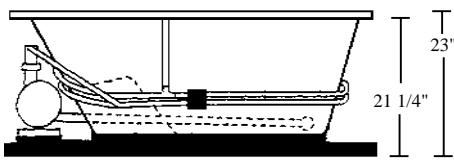
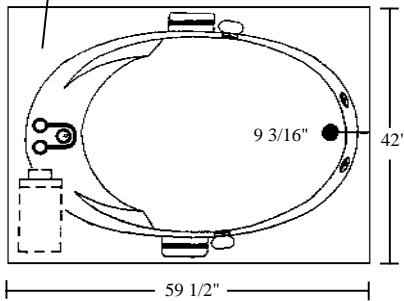




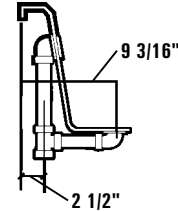
CARMEL

LUXURY SERIES MODEL # AI6042-D

Left Pump Option



Rough-In Plumbing Measurements



SCALE:
3/8" = 1'

EQUIPMENT LEGEND

- Drain
- Standard Pump Location
- Rotary Massage Jet
- Full Size Pressure-Flo Hydrotherapy Jet
- StressEaz Neck and Shoulder Therapy System II

SPECIFICATIONS:

General Specifications:

Tub Size	59 1/2" X 42" X 23"
	151 cm x 107 cm x 58 cm
Bathing Well	42" long
	24 1/2" wide
	22" interior depth
Shipping Weight	178 lbs. / 81 kg
Tub Weight Filled	703 lbs. / 319 kg
Gallons to Overflow	70 gal. / 265 L
Gallons to Operate	51 gal. / 193 L

Electrical Specifications:

Pump	1.5 HP; 12 AMP; 110V
Requirement	15 AMP; 110V w/ GFCI
Optional Heater	1.5kw; 12.5 AMP; 110V
Requirement	15 AMP; 110V w/ GFCI

NOTE: Specifications are $\pm 1/4"$ and are subject to change without notice.

STANDARD EQUIPMENT:

- 7 Hydrotherapy Jets including:
 - 4 Full Size Pressure-Flo Hydrotherapy Jets
 - 2 StressEaz Neck & Shoulder Therapy Jets
 - 1 Recessed Rotary Massage Jet
- 1.5 HP Run-Dry Pump with 20-Minute Timer
- Bath-Side On/Off Electronic Button
- "Quiet Pad" Anti-Vibration Pump Mount for Quiet Pump Operation
- 2 Acrylic Grab Bars
- 2 Arm Rests
- Slip Resistant Floor
- Pre-leveled ABS Support Base
- Heat-bent Rigid PVC Piping for Optimum Sanitary Conditions
- Durable, Easy to Clean, Lucite® Cast Acrylic Surface Available in 8 Standard No-Charge Colors
- UL & IAPMO Listed, Factory Tested
- Limited 10 Year Warranty

OPTIONAL EQUIPMENT:

- Underwater Mood Light with Colored Lens Kit
- Comfort Pillow -- Oval or Rectangle
- Jet Finish
 - Chrome, Polished Brass, Gold, Polished Nickel or Satin Nickel
- Grab Bar
 - Chrome, Polished Brass, Gold, Polished Nickel or Satin Nickel
- 1.5 kw Inline Maintenance Heater
- Lift & Turn Waste and Overflow
 - Chrome, Polished Brass, Gold, Polished Nickel or Satin Nickel
- Cable Drive Waste and Overflow
 - Chrome, Polished Brass, Gold, Polished Nickel, Satin Nickel or Color Matched (Bone, White & Biscuit Only)
- Hand Held Jet
- Tile Flange Kit
- Factory Installed Rigid ABS Tile Flange
- Decorative Rim Kit -- Chrome or Polished Brass
- 2 HP, 3-Speed Run-Dry Pump Upgrade
- Optional Pump Location
- Remote Pump Location
- Color Matched Acrylic Skirt
- Custom or Premium Colors

All acrylic colors featured by Aquatic match the industry's leading fixture manufacturers.

Fax-On-Demand Document # 1032



The classic decked oval design of the Carmel offers seven pressure adjustable hydrotherapy jets including one recessed Rotary Massage Jet, four Full Size Pressure-Flo Hydrotherapy Jets and two StressEaz Jets. The Rotary Massage Jet generates a powerful circular massage action that is adjustable for custom flexibility. The combined soothing action of the

StressEaz Neck and Shoulder Therapy System II will help ease the stress and strains of the day. Aquatic's Carmel has features standard to our Luxury Series line such as an extra deep contoured bathing well and built-in lumbar back support. The seven jets are strategically placed to target jet action to the neck, shoulders, back, legs, knees and feet; providing relief to sore, aching muscles that collect the tensions of the day.