

CENTURY 24

NEXT DAY SHIP MODEL

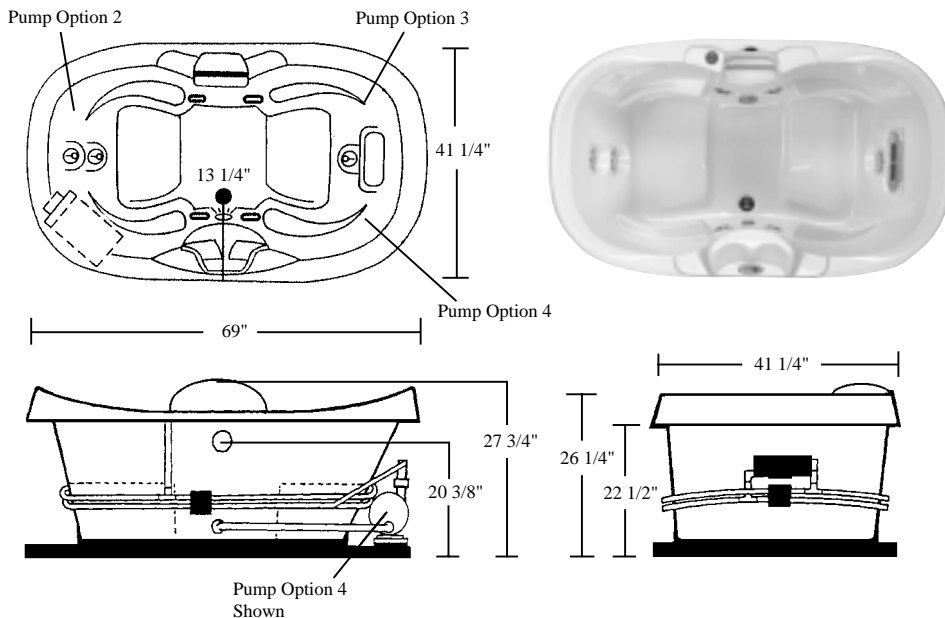


CENTURY SERIES MODEL # AI7242-RC24

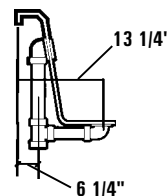
Two Person Bath



SCALE:
3/8" = 1'



Rough-In Plumbing Measurements



EQUIPMENT LEGEND

- Drain
- Standard Pump Location
- Fan Jet
- Rotary Massage Jet
- Full Size Pressure-Flo Hydrotherapy Jet
- Underwater Mood Light

SPECIFICATIONS:

General Specifications:

Tub Size	69" x 41 1/4" x 27 3/4"
	175 cm x 105 cm x 70 cm
Bathing Well	43" long
	25" wide
	23 3/4" interior depth
Shipping Weight	189 lbs. / 86 kg
Tub Weight Filled	987 lbs. / 448 kg
Gallons to Overflow	98 gal. / 371 L
Gallons to Operate	1 bather: 79 gal. / 299 L
	2 bathers: 60 gal. / 227 L

Electrical Specifications:

Pump	2 HP; 11 AMP; 110V
Requirement	15 AMP; 110V w/ GFCI
Inline Heater	1.5kw; 12 AMP; 110V
Requirement	15 AMP; 110V w/ GFCI

NOTE: Specifications are ± 1/4" and are subject to change without notice.

STANDARD EQUIPMENT:

- 8 Hydrotherapy Jets including:
 - 4 Full Size Pressure-Flo Hydrotherapy Jets
 - 3 Recessed Rotary Massage Jets
 - 1 Recessed Fan Jet
- 2 HP, 3-Speed Run-Dry Pump
- Bath-Side Electronic Control Panel
- Integrally Molded Fast-Fill Waterfall Spout
- Underwater Mood Light with Colored Lens Kit
- 1.5 kw Inline Maintenance Heater
- "Quiet Pad" Anti-Vibration Pump Mount for Quiet Pump Operation
- 2 Extra Deep & Wide Contoured Lounge Seats
- Acrylic Grab Bar
- 4 Arm Rests
- Slip Resistant Floor
- Pre-leveled ABS Support Base
- Heat-bent Rigid PVC Piping for Optimum Sanitary Conditions
- Durable, Easy to Clean, Lucite® Cast Acrylic Surface Available in 8 Standard No-Charge Colors
- UL & IAPMO Listed, Factory Tested
- Limited 15 Year Warranty

OPTIONAL EQUIPMENT:

- Available without Fast-Fill Waterfall Spout* -- See Price List for Details
- Comfort Pillow -- Oval or Rectangle
- Jet Finish -- Chrome, Polished Brass, Gold, Polished Nickel or Satin Nickel
- Grab Bar -- Chrome, Polished Brass, Gold, Polished Nickel or Satin Nickel
- Lift & Turn Waste and Overflow -- Chrome, Polished Brass, Gold, Polished Nickel or Satin Nickel
- Cable Drive Waste and Overflow -- Chrome, Polished Brass, Gold, Polished Nickel, Satin Nickel or Color Matched (Bone, White & Biscuit Only)
- Hand Held Jet
- Decorative Rim Kit -- Chrome or Polished Brass
- Optional Pump Location
- Remote Pump Location
- Custom or Premium Colors

All acrylic colors featured by Aquatic match the industry's leading fixture manufacturers.

*Electronic Control Panels are not installed on units with Fast-Fill Waterfall Spouts removed.

Fax-On-Demand Document # 1009



The Century 24 integrates the beauty of a true oval bathing design with all the comforts of the feature-packed Century Series. Standard equipment includes: bath-side electronic control with digital display for operation of the inline heater and the 2 HP, 3-speed run-dry pump, an underwater mood light and an integral waterfall fill spout. The Century 24 features eight full size hydrotherapy jets, including three recessed Rotary Massage Jets,

four Full Size Pressure-Flo Hydrotherapy Jets and one Fan Jet. One lounge features two stacked Rotary Massage Jets. These jets generate a powerful rotating massage action that is directionally and pressure adjustable for custom flexibility. The second lounge places a Fan Jet horizontally above a Rotary Massage Jet for complete upper and lower back massage.