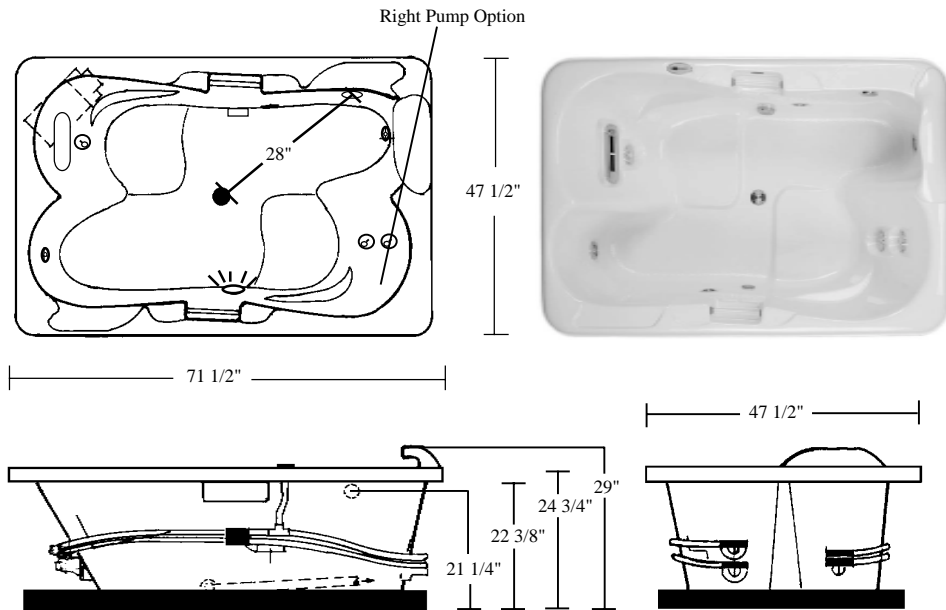


CENTURY 41

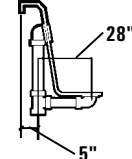
CENTURY SERIES MODEL # AI7248-RC41



SCALE:
3/8" = 1'



Rough-In Plumbing Measurements



EQUIPMENT LEGEND

- Drain
- Standard Pump Location
- Rotary Massage Jet
- Fan Jet
- Full Size Pressure-Flo Hydrotherapy Jet
- Underwater Mood Light

SPECIFICATIONS:

General Specifications:

Tub Size	71 1/2" x 47 1/2" x 29"
	182 cm x 121 cm x 74 cm
Bathing Well	48" long
	32" wide
	23" interior depth
Shipping Weight	235 lbs. / 107 kg
Tub Weight Filled	1350 lbs. / 612 kg
Gallons to Overflow	139 gal. / 526 L
Gallons to Operate	1 bather: 120 gal. / 454 L
	2 bather: 89 gal. / 337 L

Electrical Specifications:

Pump	2 HP; 11 AMP; 110V
Requirement	15 AMP; 110V w/ GFCI
Inline Heater	1.5kw; 12 AMP; 110V
Requirement	15 AMP; 110V w/ GFCI

NOTE: Specifications are $\pm 1/4"$ and are subject to change without notice.

STANDARD EQUIPMENT:

- 8 Hydrotherapy Jets including:
 - 3 Recessed Rotary Massage Jets
 - 2 Rotary Massage Jets in Foot Well
 - 2 Full Size Pressure-Flo Hydrotherapy Jets
 - 1 Recessed Fan Jet
- 2 HP, 3-Speed Run-Dry Pump
- Bath-Side Electronic Control Panel
- Integrally Molded Fast-Fill Waterfall Spout
- Underwater Mood Light with Colored Lens Kit
- 1.5 kw Inline Maintenance Heater
- "Quiet Pad" Anti-Vibration Pump Mount for Quiet Pump Operation
- 2 Extra-Deep Contoured Lounges
- 2 Acrylic Grab Bars
- 2 Arm Rests
- Slip Resistant Floor
- Pre-leveled ABS Support Base
- Heat-bent Rigid PVC Piping for Optimum Sanitary Conditions
- Durable, Easy to Clean, Lucite® Cast Acrylic Surface Available in 8 Standard No-Charge Colors
- UL & IAPMO Listed, Factory Tested
- Limited 15 Year Warranty

OPTIONAL EQUIPMENT:

- Comfort Pillow -- Oval or Rectangle
 - Jet Finish
 - Chrome, Polished Brass, Gold, Polished Nickel or Satin Nickel
 - Lift & Turn Waste and Overflow
 - Chrome, Polished Brass, Gold, Polished Nickel or Satin Nickel
 - Cable Drive Waste and Overflow
 - Chrome, Polished Brass, Gold, Polished Nickel, Satin Nickel or Color Matched (Bone, White & Biscuit Only)
 - Hand Held Jet
 - Decorative Rim Kit -- Chrome or Polished Brass
 - Optional Pump Location
 - Remote Pump Location
 - Custom or Premium Colors
- All acrylic colors featured by Aquatic match the industry's leading fixture manufacturers.*

Fax-On-Demand Document # 1025



The Century 41 is our first opposed-seated, 2 passenger Century Series whirlpool. Designed with a spacious layout, the Century 41 features a 2 HP, 3-speed run-dry pump, inline maintenance heater, bath-side electronic control, integral waterfall fill spout, underwater mood light and eight full size hydrotherapy jets. The whirlpool includes four **Full Size Pressure-Flo Hydrotherapy Jets**, three **Rotary Massage Jets** and one **Fan Jet**. Two

Rotary Massage Jets are stacked in one lounge and generate a powerful rotating massage action that is directionally and pressure adjustable for custom flexibility. The second lounge horizontally places a **Fan Jet** for upper back, shoulders and neck above a **Rotary Massage Jet**. This unique **Fan Jet** provides a pulsating hydromassage with streams of air and water pushing and pulling across tired, aching muscles.