

CLEARWATER, JR.

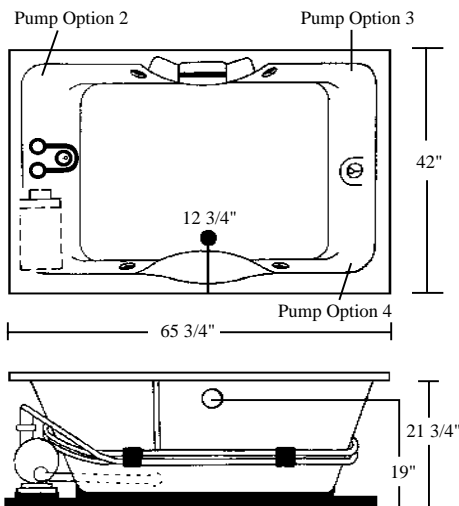
LUXURY SERIES MODEL # AI6642-R



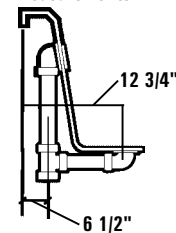
Two Person Bath



SCALE:
3/8" = 1"



Rough-In Plumbing Measurements



EQUIPMENT LEGEND

- Drain
- Standard Pump Location
- Rotary Massage Jet
- Full Size Pressure-Flo Hydrotherapy Jet
- StressEaz Neck and Shoulder Therapy System II

SPECIFICATIONS:

General Specifications:

Tub Size	65 3/4" x 42" x 23 1/4"
	167 cm x 107 cm x 59 cm
Bathing Well	41" long
	24" wide
	22" interior depth
Shipping Weight	162 bs. / 73 kg
Tub Weight Filled	868 lbs. / 394 kg
Gallons to Overflow	85 gal. / 322 L
Gallons to Operate	1 bather: 66 gal. / 250 L
	2 bathers: 47 gal. / 178 L

Electrical Specifications:

Pump	1.5 HP; 12 AMP; 110V
Requirement	15 AMP; 110V w/ GFCI
Optional Heater	1.5kw; 12.5 AMP; 110V
Requirement	15 AMP; 110V w/ GFCI

NOTE: Specifications are $\pm 1/4"$ and are subject to change without notice.

STANDARD EQUIPMENT:

- 8 Hydrotherapy Jets including:
 - 4 Full Size Pressure-Flo Hydrotherapy Jets
 - 2 Recessed Rotary Massage Jets
 - 2 StressEaz Neck & Shoulder Therapy Jets
- 1.5 HP Run-Dry Pump with 20-Minute Timer
- Bath-Side On/Off Electronic Button
- "Quiet Pad" Anti-Vibration Pump Mount for Quiet Pump Operation
- Acrylic Grab Bar
- 4 Arm Rests
- Slip Resistant Floor
- Pre-leveled ABS Support Base
- Heat-bent Rigid PVC Piping for Optimum Sanitary Conditions
- Durable, Easy to Clean, Lucite® Cast Acrylic Surface Available in 8 Standard No-Charge Colors
- UL & IAPMO Listed, Factory Tested
- Limited 10 Year Warranty

OPTIONAL EQUIPMENT:

- Underwater Mood Light with Colored Lens Kit
- Comfort Pillow -- Oval or Rectangle
- Jet Finish
 - Chrome, Polished Brass, Gold, Polished Nickel or Satin Nickel
- Grab Bar
 - Chrome, Polished Brass, Gold, Polished Nickel or Satin Nickel
- 1.5 kw Inline Maintenance Heater
- Lift & Turn Waste and Overflow
 - Chrome, Polished Brass, Gold, Polished Nickel or Satin Nickel
- Cable Drive Waste and Overflow
 - Chrome, Polished Brass, Gold, Polished Nickel, Satin Nickel or Color Matched (Bone, White & Biscuit Only)
- Hand Held Jet
- Tile Flange Kit
- Factory Installed Rigid ABS Tile Flange
- Decorative Rim Kit -- Chrome or Polished Brass
- 2 HP, 3-Speed Run-Dry Pump Upgrade
- Optional Pump Location
- Remote Pump Location
- Color Matched Acrylic Skirt
- Custom or Premium Colors

All acrylic colors featured by Aquatic match the industry's leading fixture manufacturers.

Fax-On-Demand Document # 1037



The Clearwater, Jr. is a more compact version of Aquatic Industries' most popular *Luxury Series* two-person whirlpool bath. The Clearwater, Jr. has all the comforts of its predecessor in a 66" x 42" size. It offers eight pressure adjustable hydrotherapy jets, including two recessed **Rotary Massage Jets**, four **Full Size Pressure-Flo Hydrotherapy Jets** and two **StressEaz Jets**. The

Rotary Massage Jets generate a powerful circular massage action that is adjustable for custom flexibility. The combined soothing action of the **StressEaz Jets** with the **Rotary Massage Jet** creates the **StressEaz Neck and Shoulder Therapy System II**, helping ease the stress and strains of the day.