

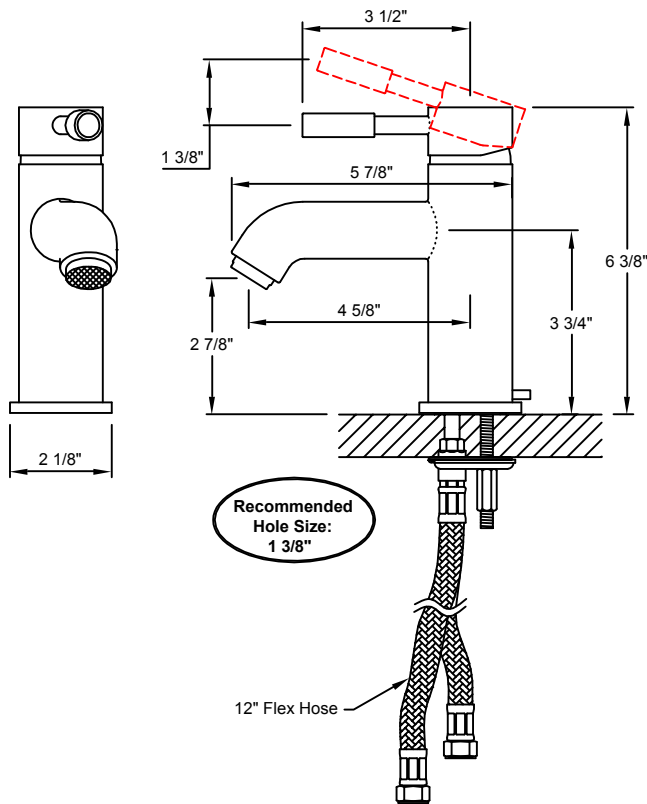
62 Series Specifications

"AVALON"

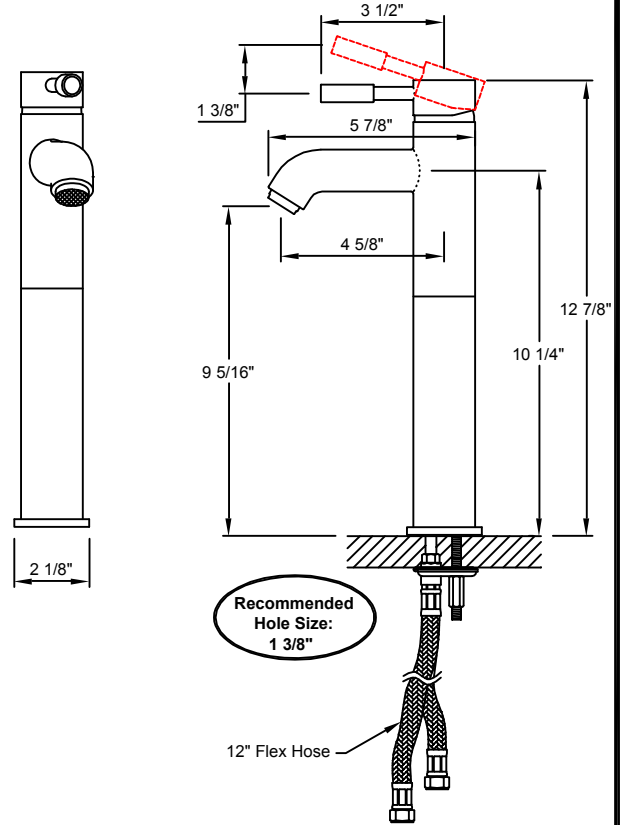


All California Faucets lever and blade handle products are American Disability Act (ADA) compliant.

California Faucets reserves the right to make modification and specification changes at any time. Please verify dimensions prior to installation. Visit www.calfaucets.com for most current technical data.

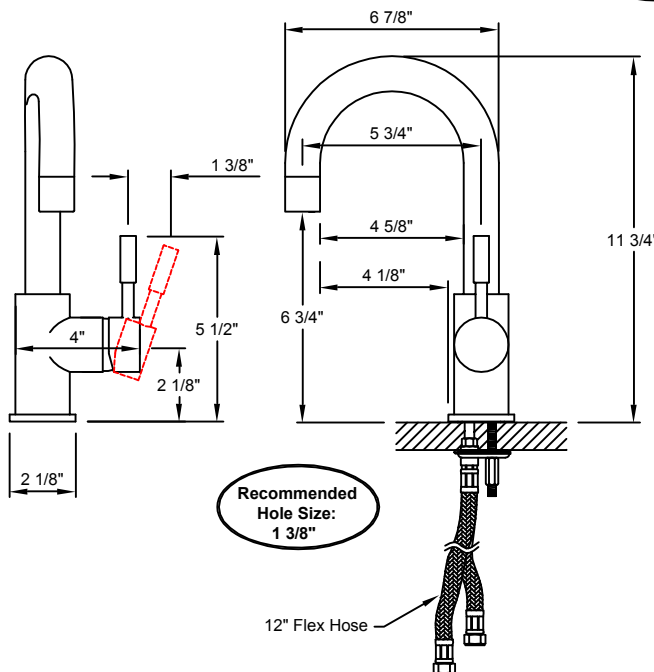


6201.1

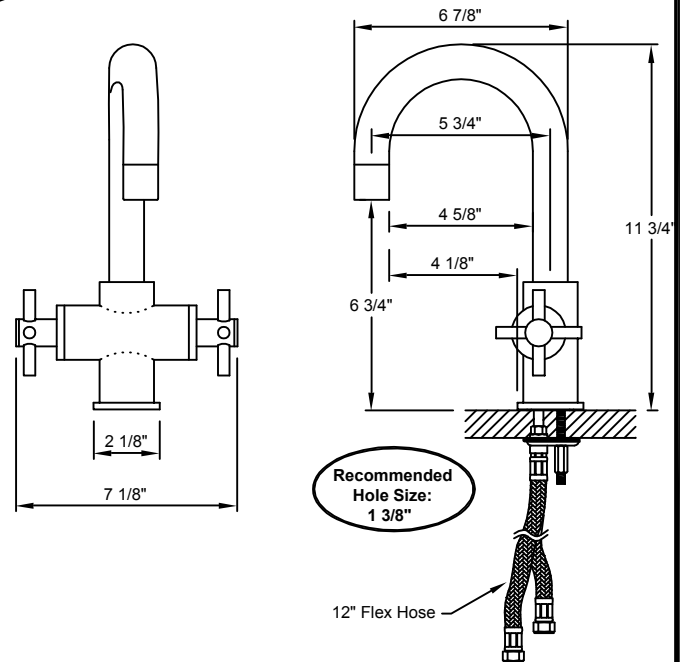


6201.2

Meets A112.18.1M
 2.2 GPM/8.3L/Min



6209.1



6209.2