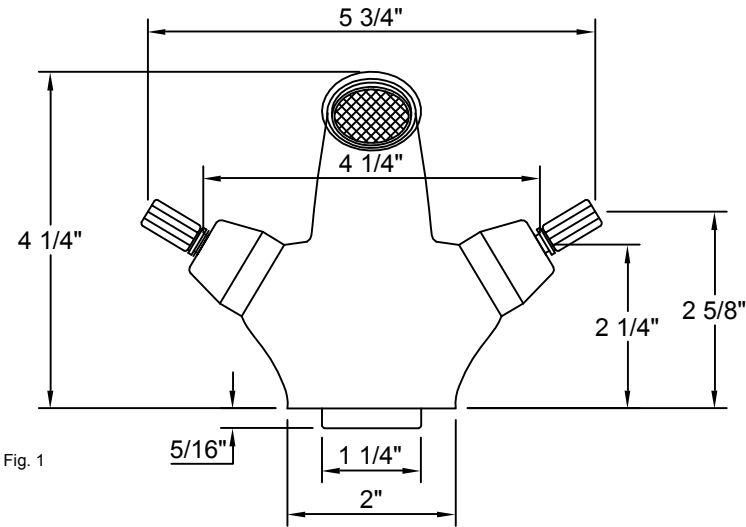


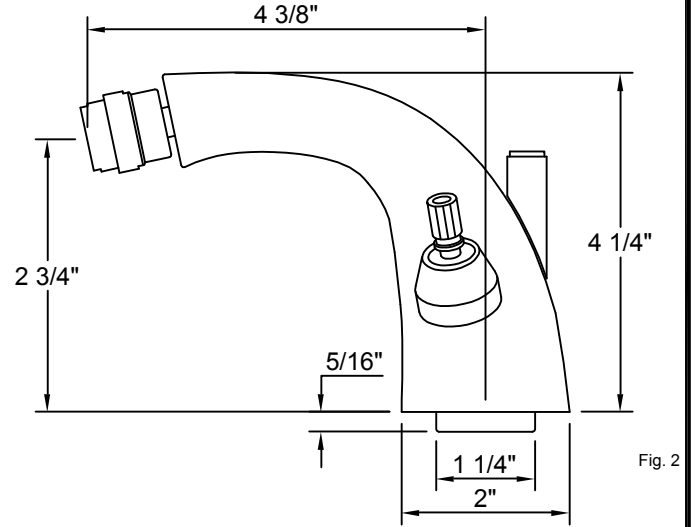


California Faucets reserves the right to make modification and specification changes at any time. Please verify dimensions prior to installation. Visit www.calfaucets.com for most current technical data.

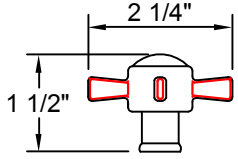
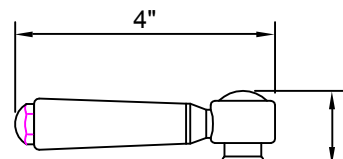
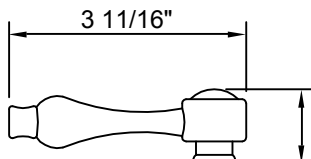
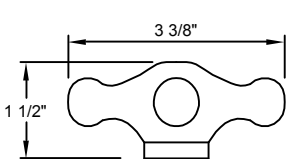
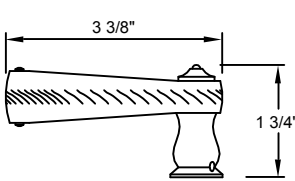
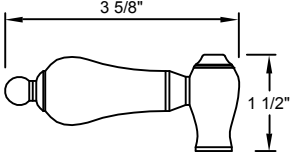
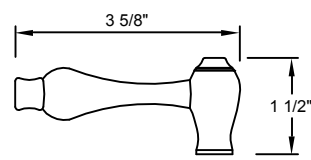
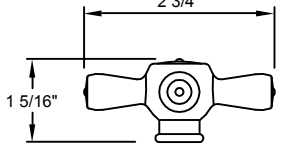
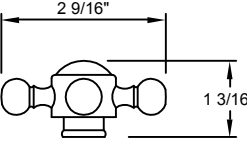
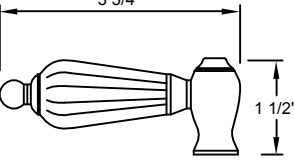
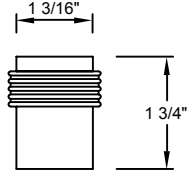
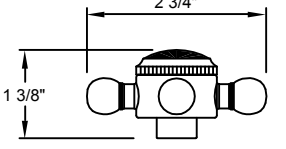
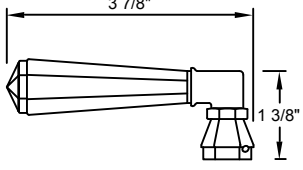
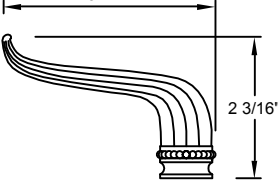
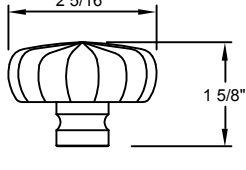
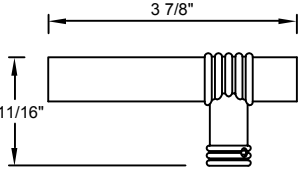
Front View



Side View



Available Handles

 Fig. 1 #34	 Fig. 2 #35	 Fig. 3 #36	 Fig. 4 #37
 Fig. 5	 Fig. 6 #40, #41 & #55	 Fig. 7 #42, #52	 Fig. 8 #42
 Fig. 9 #43, #60 & #61	 Fig. 10 #44	 Fig. 11 #45, #48, #49 & #53	 Fig. 12 #47
 Fig. 13 #47	 Fig. 18 #50	 Fig. 19 #50	 Fig. 20 #57

MONOBLOCK BIDET SPECS



All California Faucets lever and blade handle products are American Disability Act (ADA) compliant.

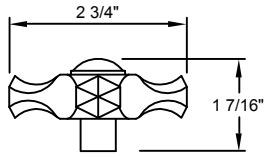


Fig. 17 **#63**

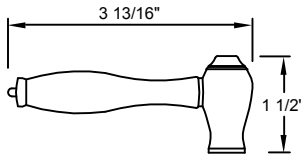


Fig. 18 **#64**

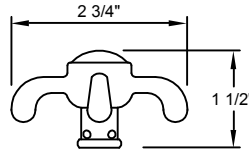


Fig. 19 **#67**

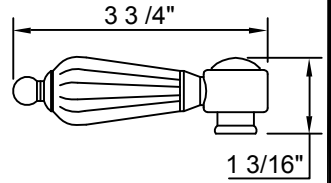


Fig. 20 **#68**

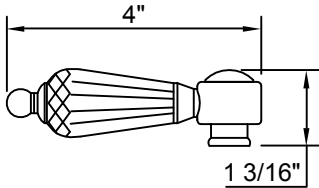


Fig. 21 **#69**