

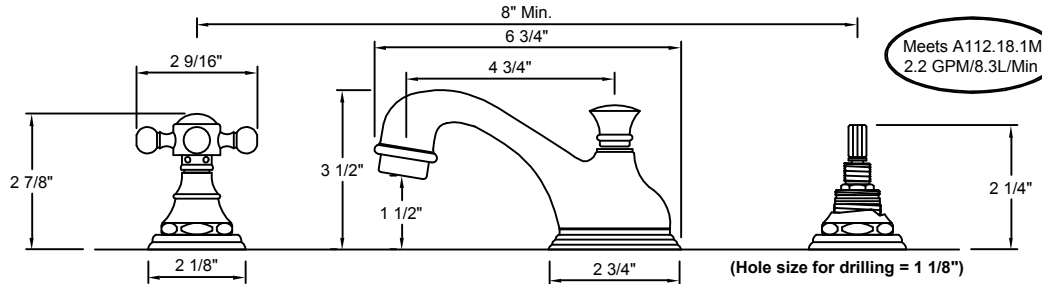
43 Series Specifications

"DOHENY"



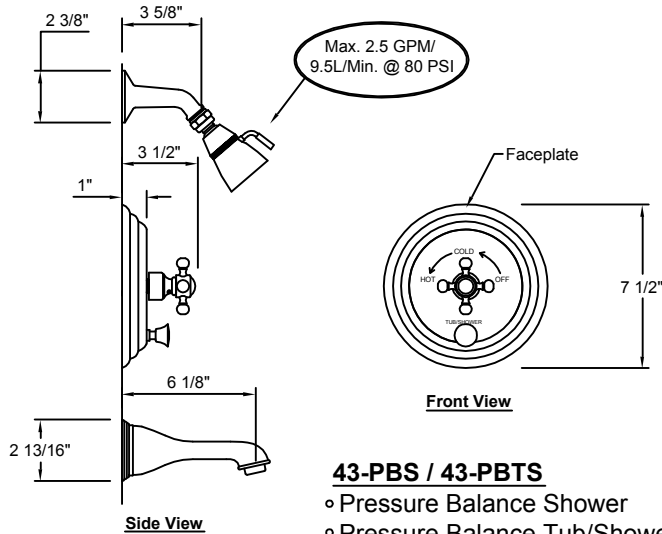
All California Faucets lever and blade handle products are American Disability Act (ADA) compliant.

California Faucets reserves the right to make modification and specification changes at any time. Please verify dimensions prior to installation. Visit www.calfaucets.com for most current technical data.

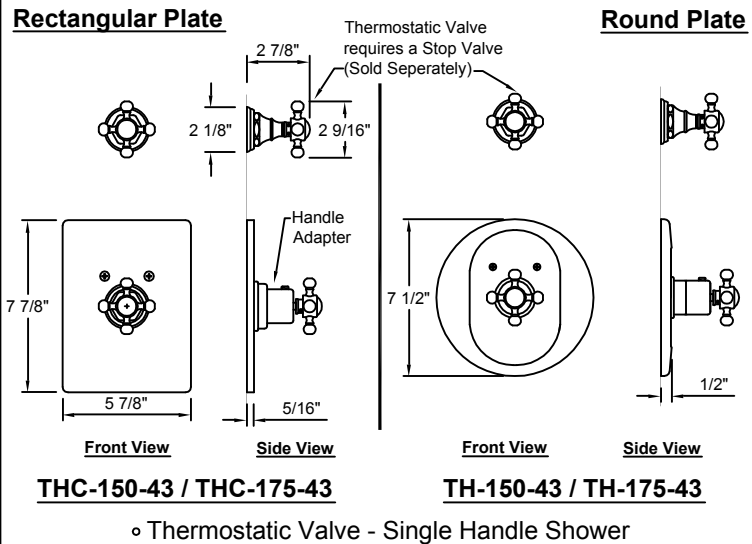


4302
 ◦ Widespread

Meets A112.18.1M
 2.2 GPM/8.3L/Min

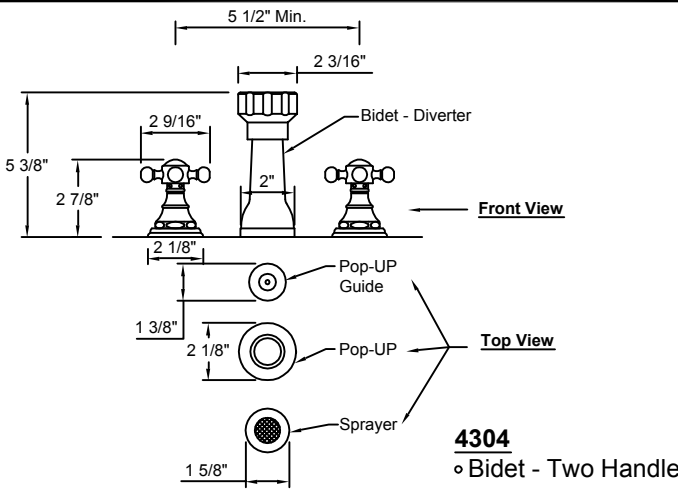


43-PBS / 43-PBTS
 ◦ Pressure Balance Shower
 ◦ Pressure Balance Tub/Shower

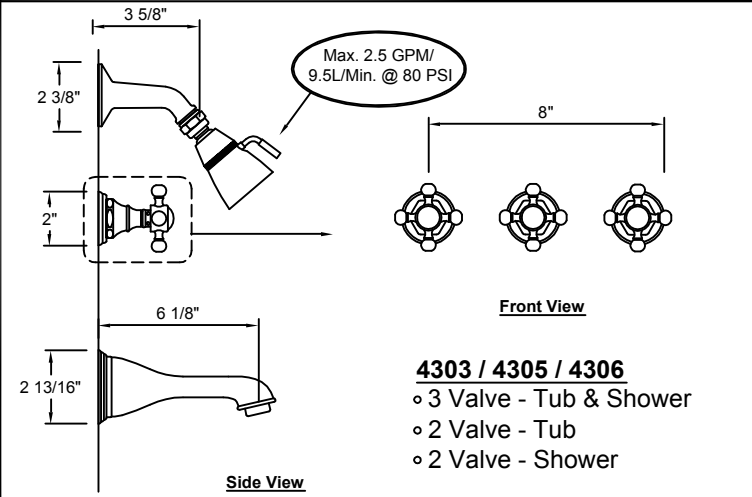


THC-150-43 / THC-175-43
 ◦ Thermostatic Valve - Single Handle Shower

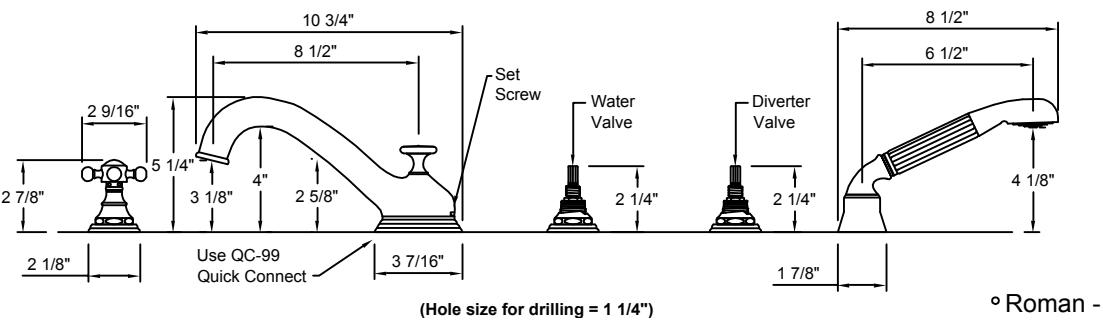
TH-150-43 / TH-175-43



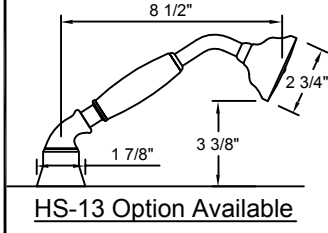
4304
 ◦ Bidet - Two Handle



4303 / 4305 / 4306
 ◦ 3 Valve - Tub & Shower
 ◦ 2 Valve - Tub
 ◦ 2 Valve - Shower



(Hole size for drilling = 1 1/4")



HS-13 Option Available

4308 w/ 43.1
 ◦ Roman - w/ Optional Hand Held Shower