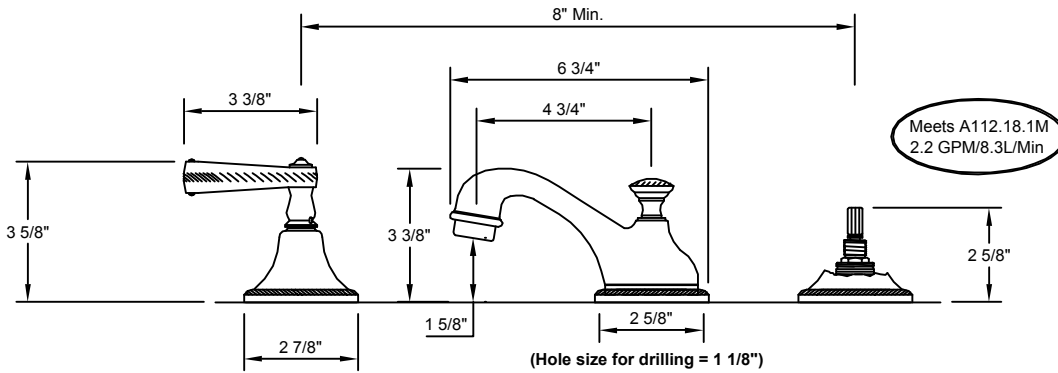


38 Series Specifications

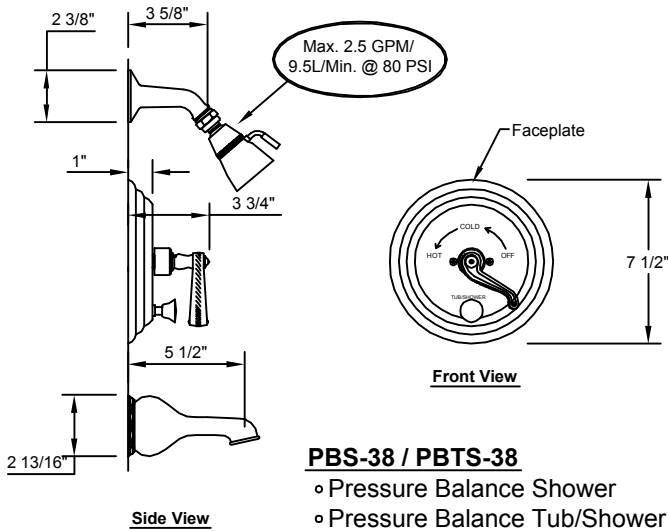
"LA JOLLA"



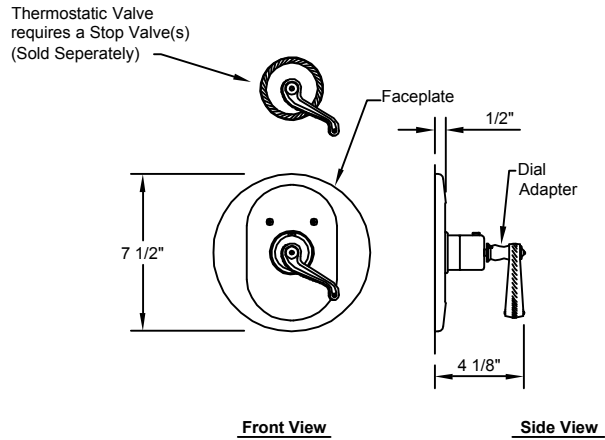
All California Faucets lever and blade handle products are American Disability Act (ADA) compliant.



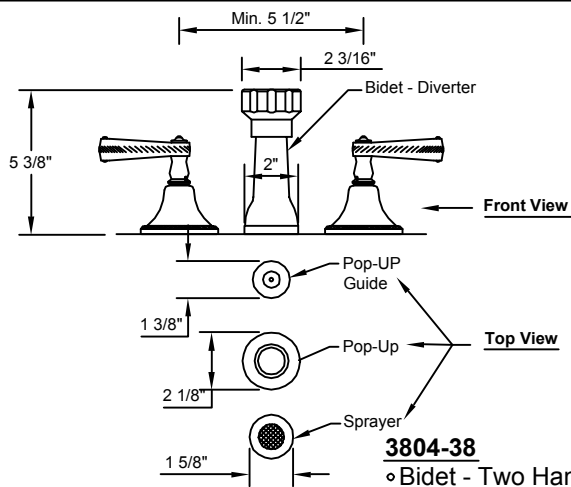
3802
 ◦ Wide Spread



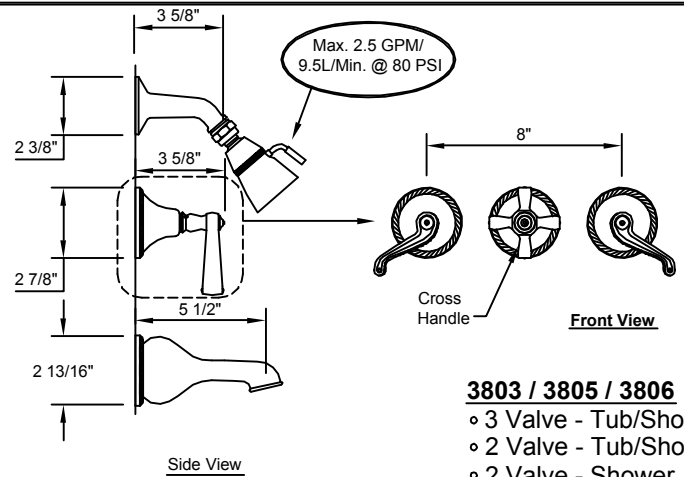
PBS-38 / PBTS-38
 ◦ Pressure Balance Shower
 ◦ Pressure Balance Tub/Shower



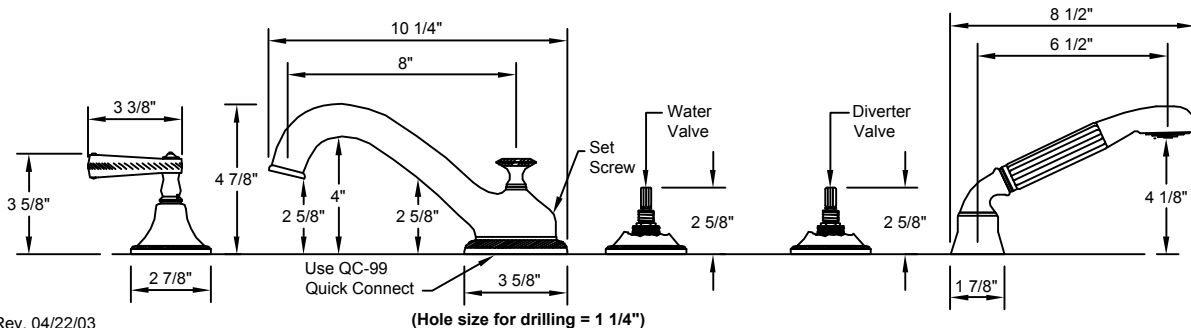
TH-150-38 / TH-175-38
 ◦ Thermostatic Valve -Single Handle Shower



3804-38
 ◦ Bidet - Two Handle



3803 / 3805 / 3806
 ◦ 3 Valve - Tub/Shower
 ◦ 2 Valve - Tub/Shower
 ◦ 2 Valve - Shower



3808 w/ 38.1
 ◦ Roman - w/
 Optional Hand
 Held Shower