



Tel: 714-891-7797
Fax: 714-891-2478
Toll Free: 800-822-8855
www.calfaucets.com

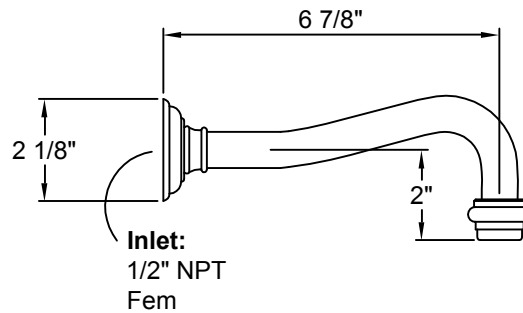
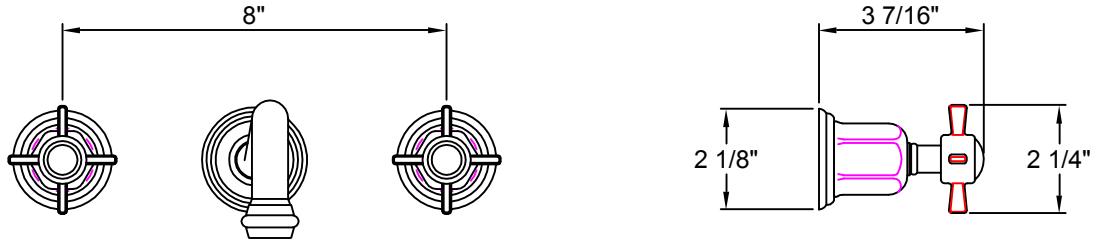
Wall Lavatory Specs

"CARDIFF"
(V3402-7 / V3402-9)

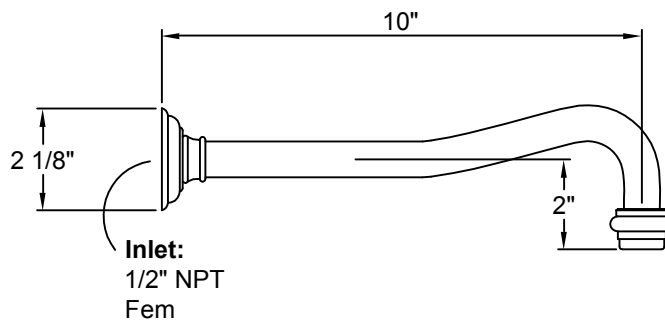
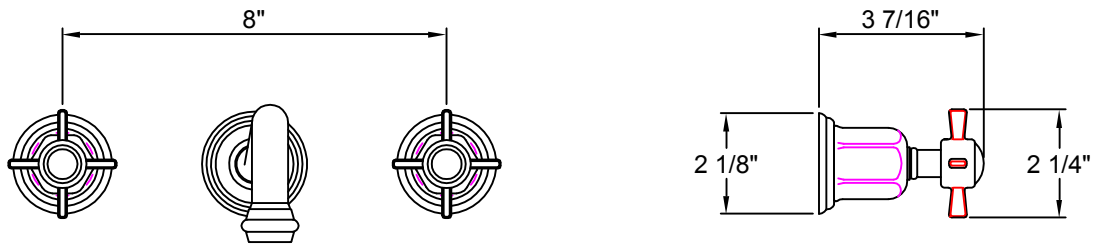


All California Faucets lever and blade handle products are American Disability Act (ADA) compliant.

California Faucets reserves the right to make modification and specification changes at any time. Please verify dimensions prior to installation. Visit www.calfaucets.com for most current technical data.



V3402-7



V3402-9



Tel: 714-891-7797
Fax: 714-891-2478
Toll Free: 800-822-8855
www.calfaucets.com

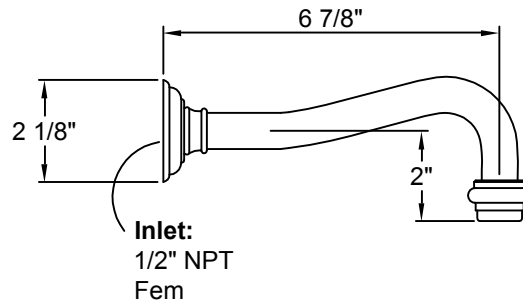
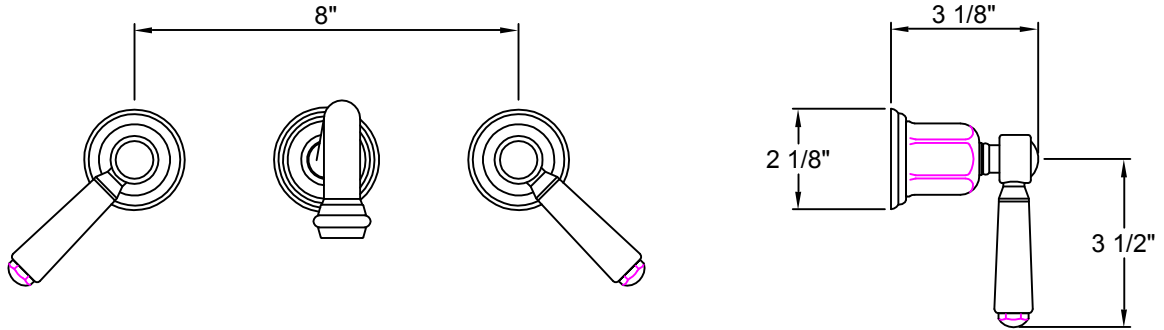
Wall Lavatory Specs

"BELMONT"
(V3502-7 / V3502-9)

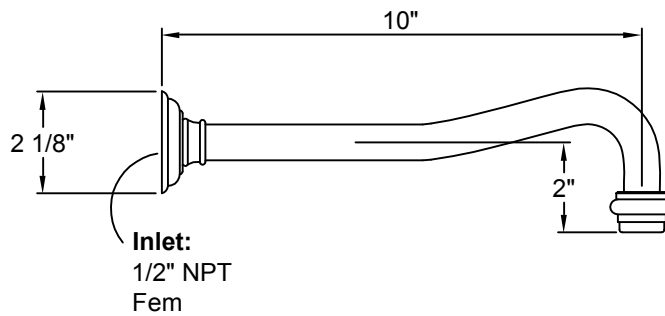
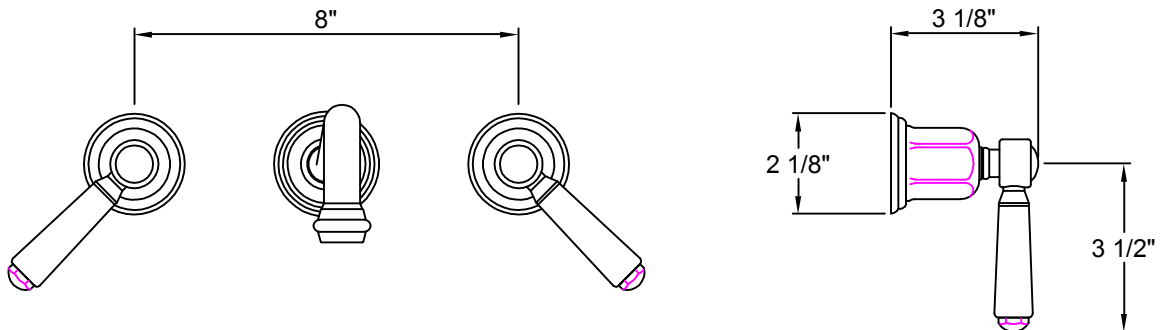


All California Faucets lever and blade handle products are American Disability Act (ADA) compliant.

California Faucets reserves the right to make modification and specification changes at any time. Please verify dimensions prior to installation. Visit www.calfaucets.com for most current technical data.



V3502-7



V3502-9



Tel: 714-891-7797
Fax: 714-891-2478
Toll Free: 800-822-8855
www.calfaucets.com

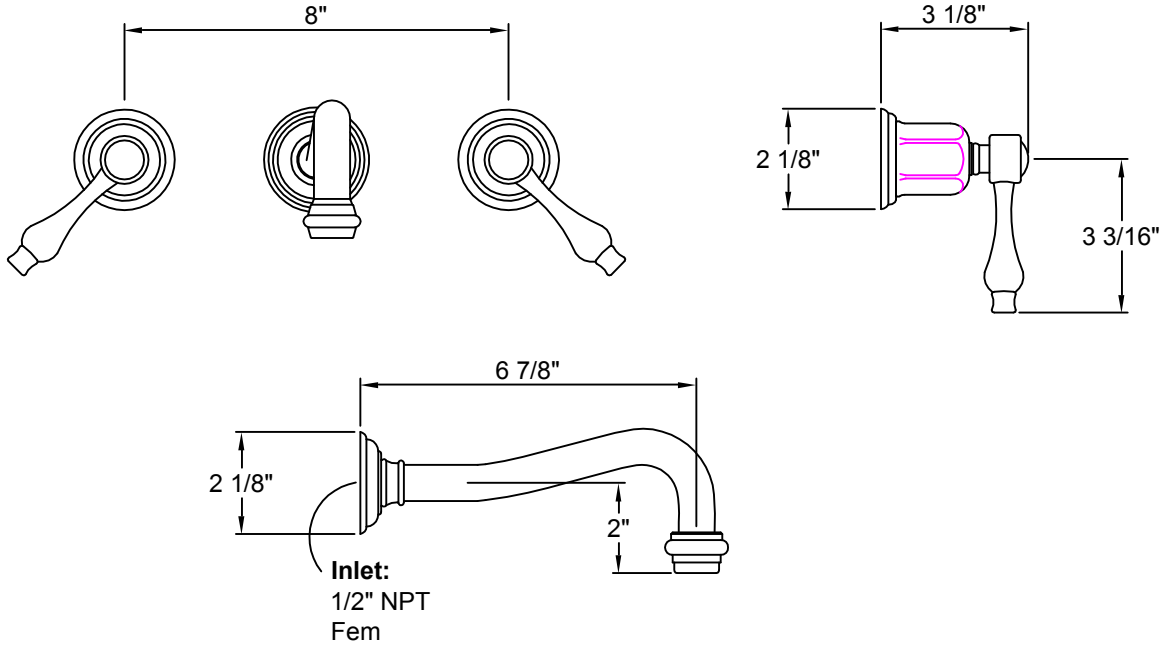
Wall Lavatory Specs

"ENCINITAS"
(V3602-7 / V3602-9)

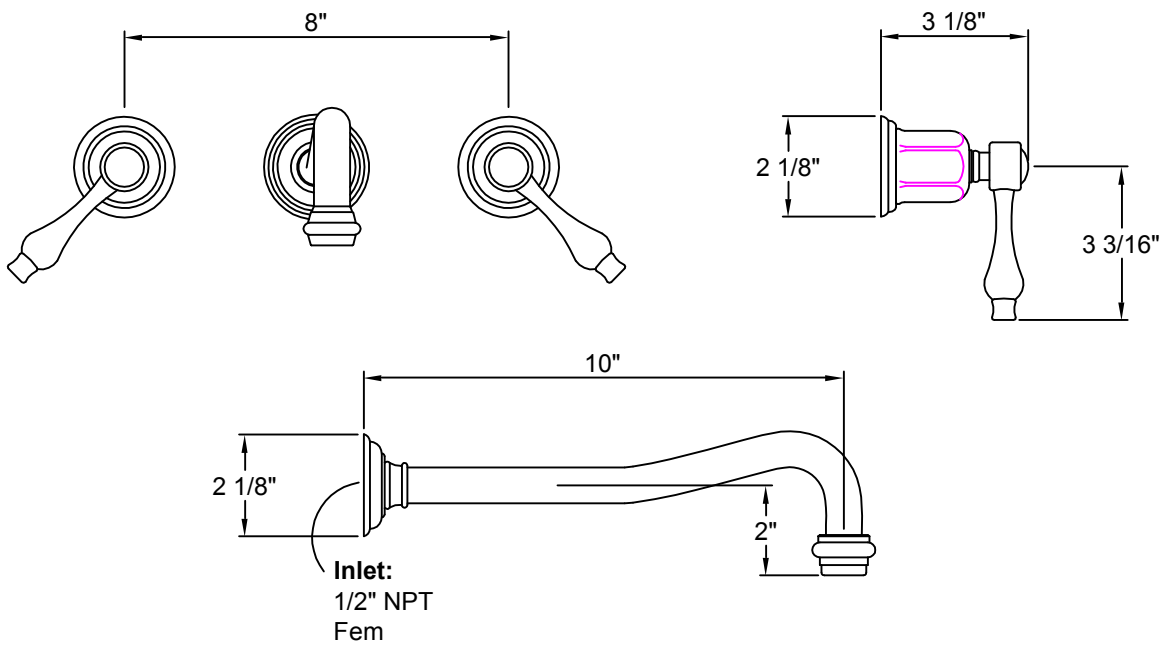


All California Faucets lever and blade handle products are American Disability Act (ADA) compliant.

California Faucets reserves the right to make modification and specification changes at any time. Please verify dimensions prior to installation. Visit www.calfaucets.com for most current technical data.



V3602-7



V3602-9



Tel: 714-891-7797
Fax: 714-891-2478
Toll Free: 800-822-8855
www.calfaucets.com

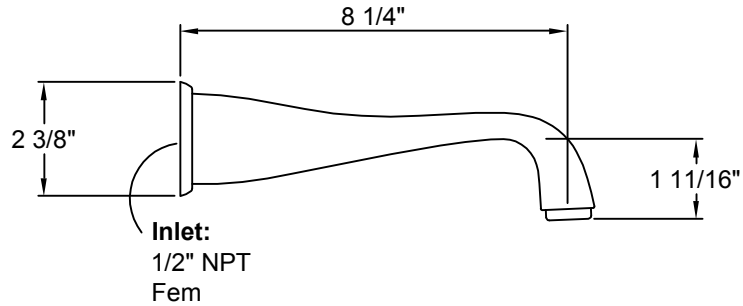
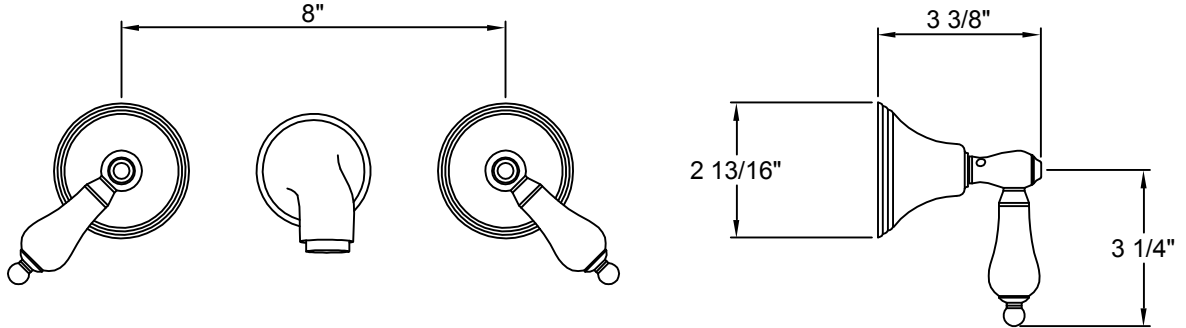
Wall Lavatory Specs

"MALIBU"
(V4002-7 / V4002-9)

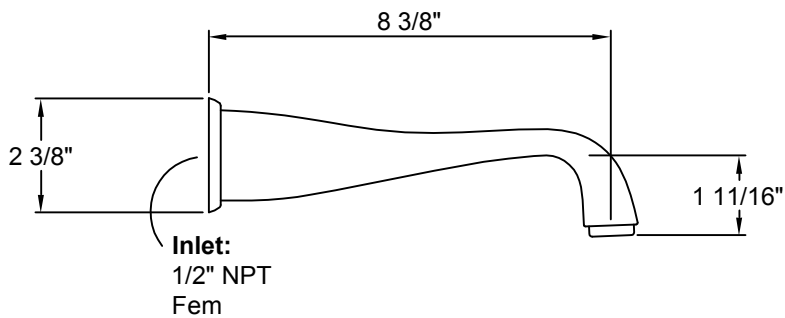
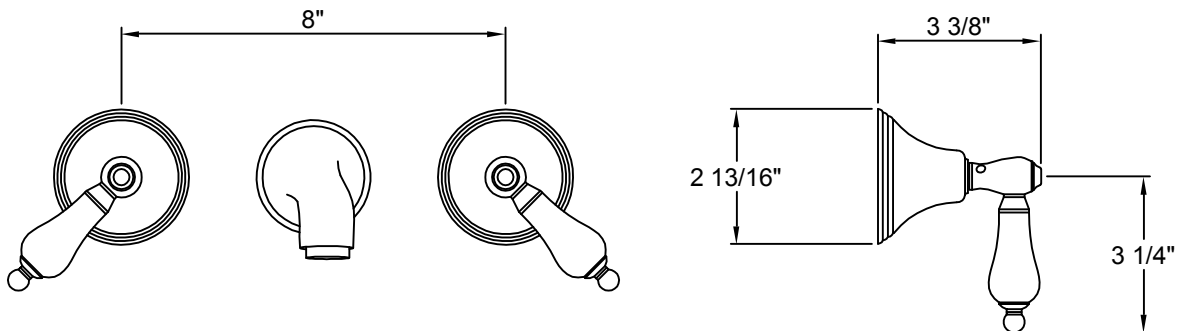


All California Faucets lever and blade handle products are American Disability Act (ADA) compliant.

California Faucets reserves the right to make modification and specification changes at any time. Please verify dimensions prior to installation. Visit www.calfaucets.com for most current technical data.



V4002-7



V4002-9



Tel: 714-891-7797
Fax: 714-891-2478
Toll Free: 800-822-8855
www.calfaucets.com

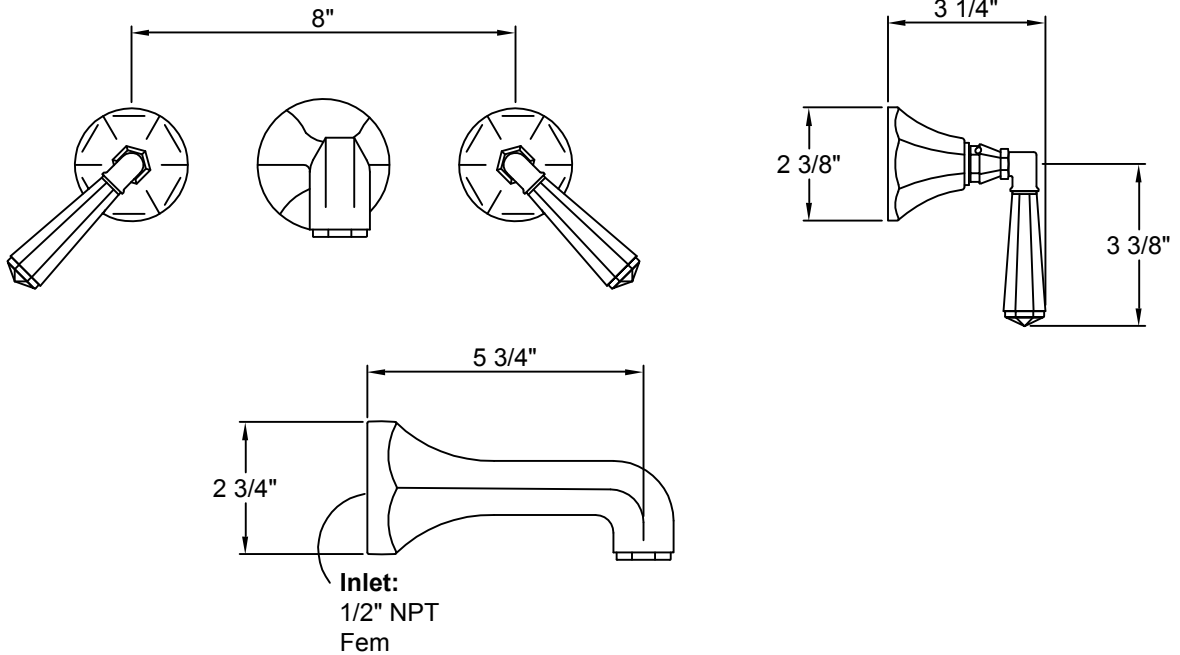
Wall Lavatory Specs

"MONTEREY"
(V4602-7 / V4602-9)

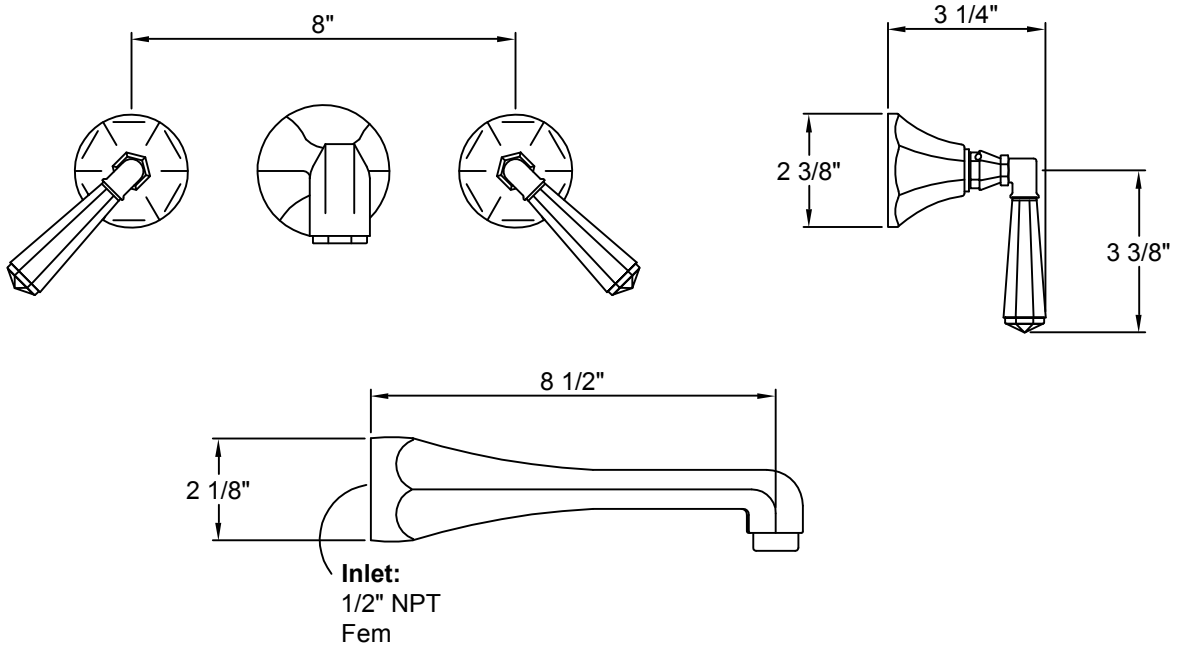


All California Faucets lever and blade handle products are American Disability Act (ADA) compliant.

California Faucets reserves the right to make modification and specification changes at any time. Please verify dimensions prior to installation. Visit www.calfaucets.com for most current technical data.



V4602-7



V4602-9



Tel: 714-891-7797
Fax: 714-891-2478
Toll Free: 800-822-8855
www.calfaucets.com

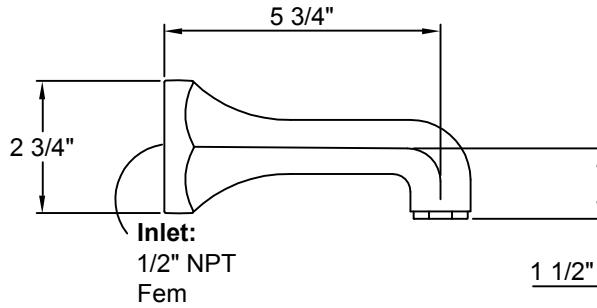
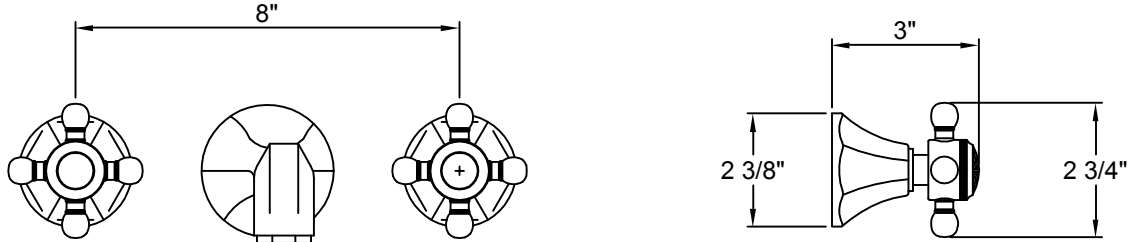
Wall Lavatory Specs

"VENICE"
(V4702-7 / V4702-9)

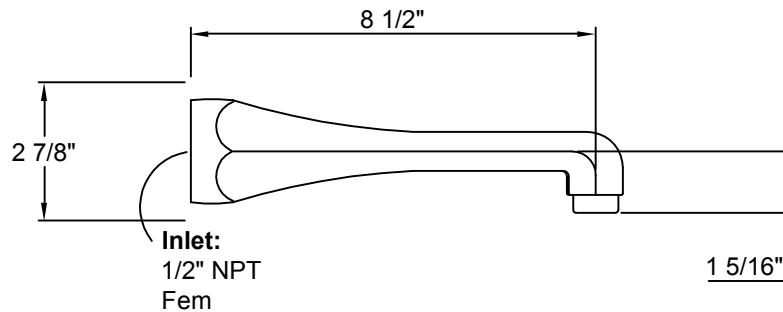
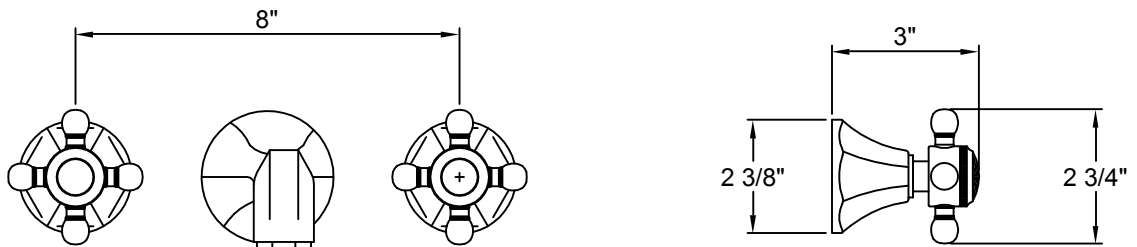


All California Faucets lever and blade handle products are American Disability Act (ADA) compliant.

California Faucets reserves the right to make modification and specification changes at any time. Please verify dimensions prior to installation. Visit www.calfaucets.com for most current technical data.



V4702-7



V4702-9



Tel: 714-891-7797
Fax: 714-891-2478
Toll Free: 800-822-8855
www.calfaucets.com

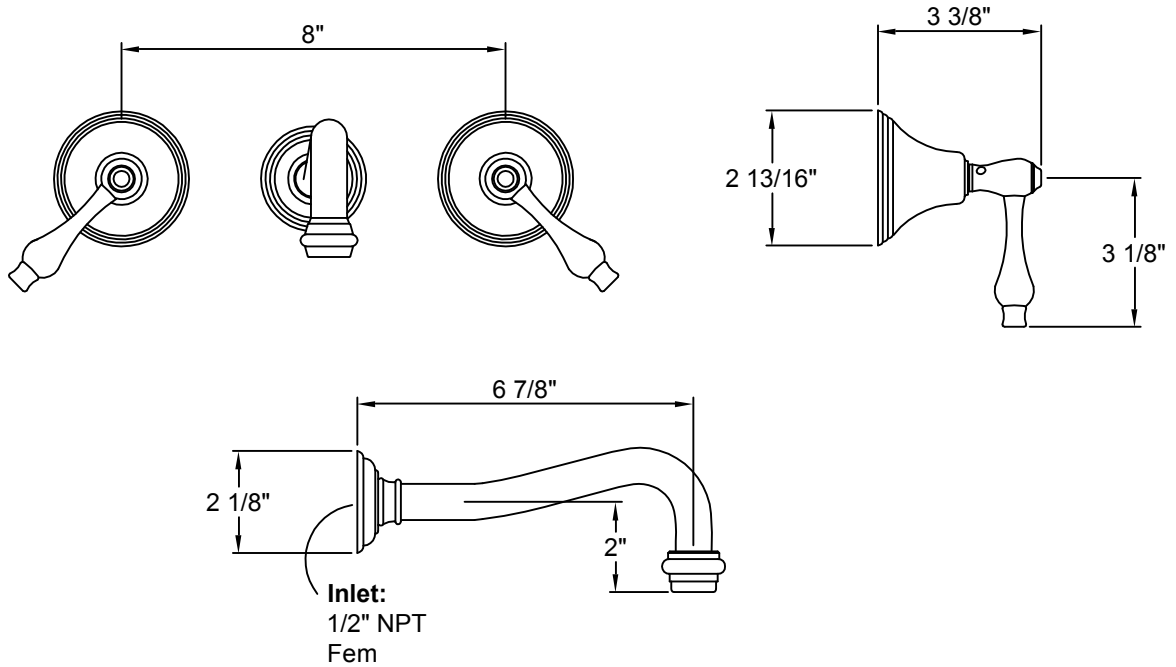
Wall Lavatory Specs

"ZUMA"
(V5202-7 / V5202-9)

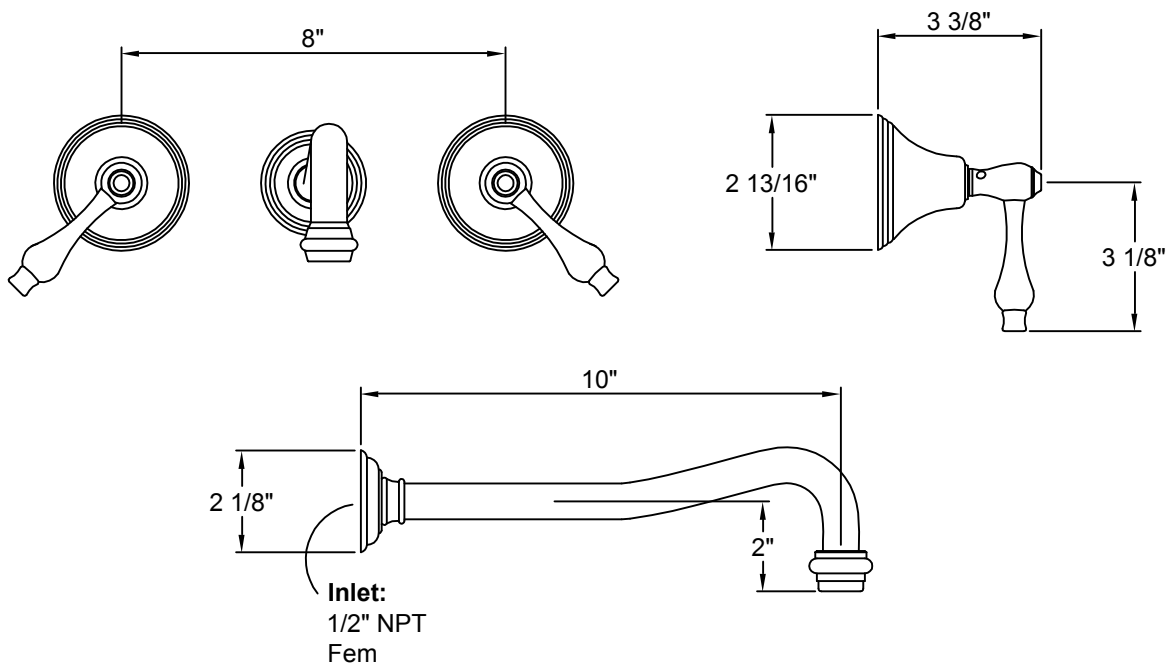


All California Faucets lever and blade handle products are American Disability Act (ADA) compliant.

California Faucets reserves the right to make modification and specification changes at any time. Please verify dimensions prior to installation. Visit www.calfaucets.com for most current technical data.



V5202-7



V5202-9



Tel: 714-891-7797
Fax: 714-891-2478
Toll Free: 800-822-8855
www.calfaucets.com

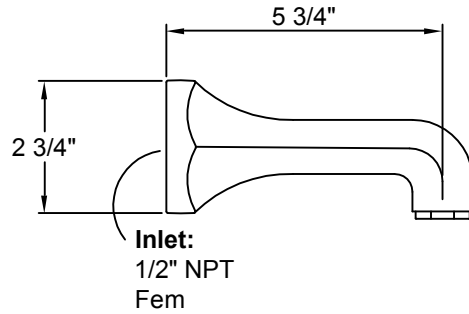
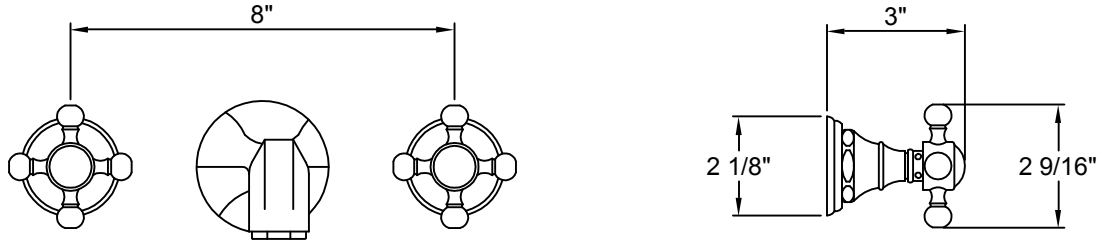
Wall Lavatory Specs

"DEL MAR"
(V6002-7 / V6002-9)

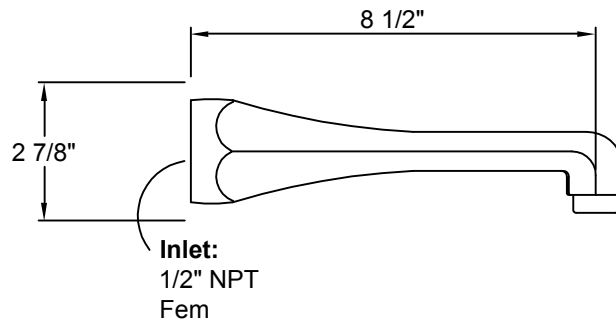
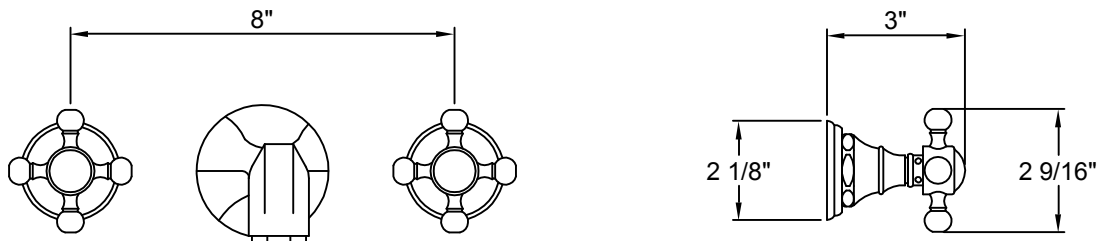


All California Faucets lever and blade handle products are American Disability Act (ADA) compliant.

California Faucets reserves the right to make modification and specification changes at any time. Please verify dimensions prior to installation. Visit www.calfaucets.com for most current technical data.



V6002-7



V6002-9



Tel: 714-891-7797
Fax: 714-891-2478
Toll Free: 800-822-8855
www.calfaucets.com

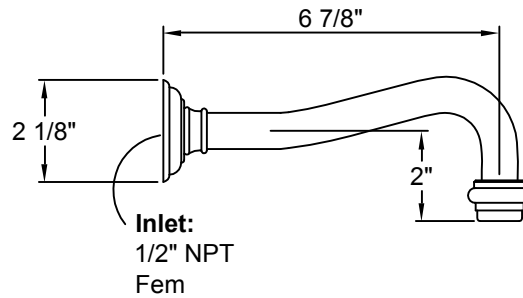
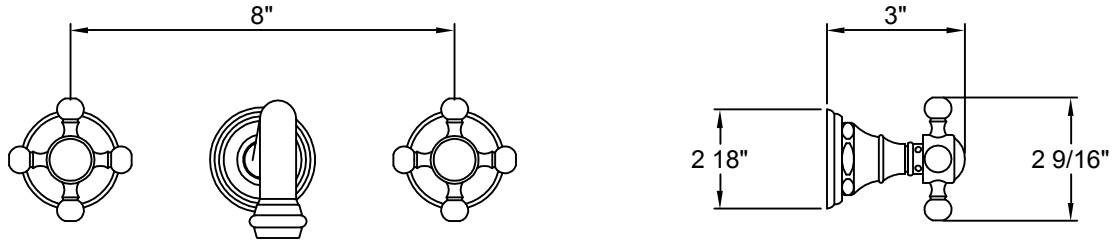
Wall Lavatory Specs

"CARMEL"
(V6102-7 / V6102-9)

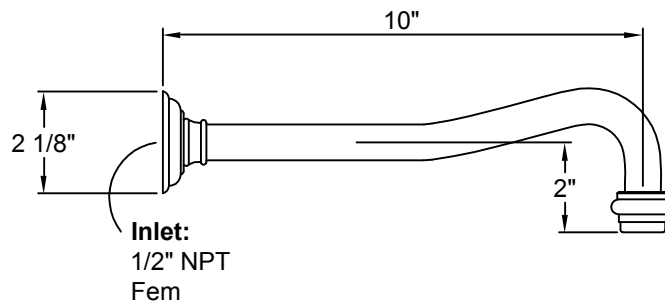
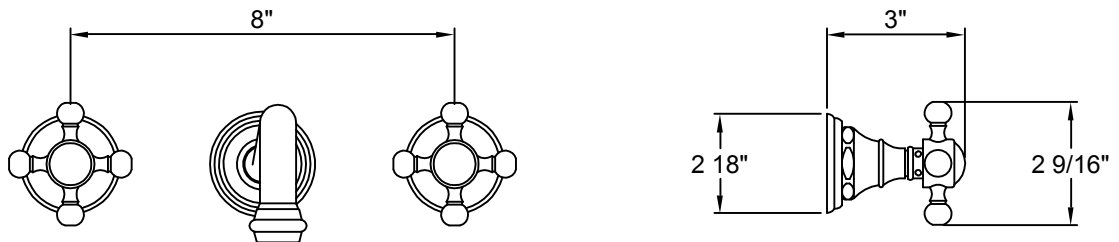


All California Faucets lever and blade handle products are American Disability Act (ADA) compliant.

California Faucets reserves the right to make modification and specification changes at any time. Please verify dimensions prior to installation. Visit www.calfaucets.com for most current technical data.



V6102-7



V6102-9



Tel: 714-891-7797
 Fax: 714-891-2478
 Toll Free: 800-822-8855
 www.calfaucets.com

Wall Lavatory Specs

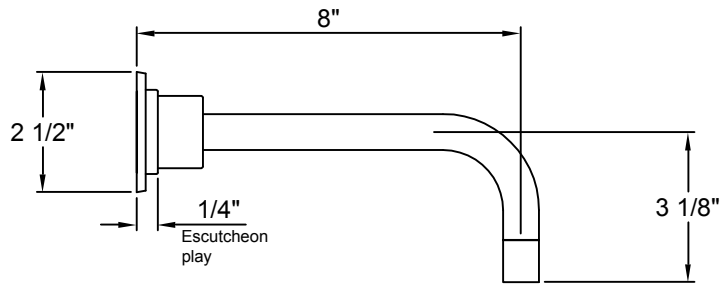
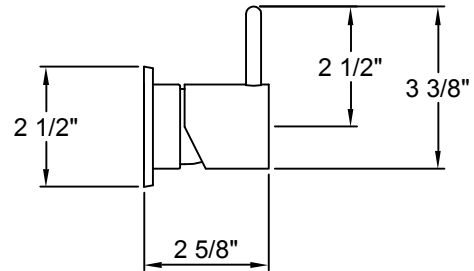
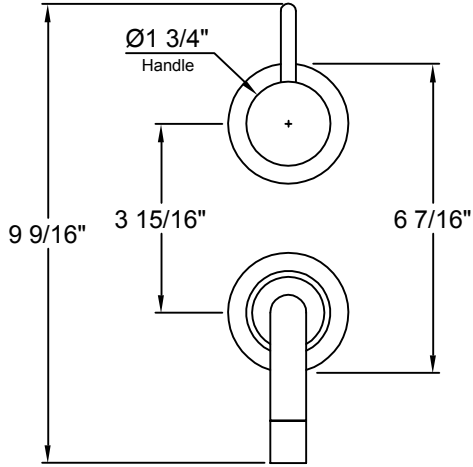
"AVALON"

(V6202-V7 / V6202-V9) VERTICAL



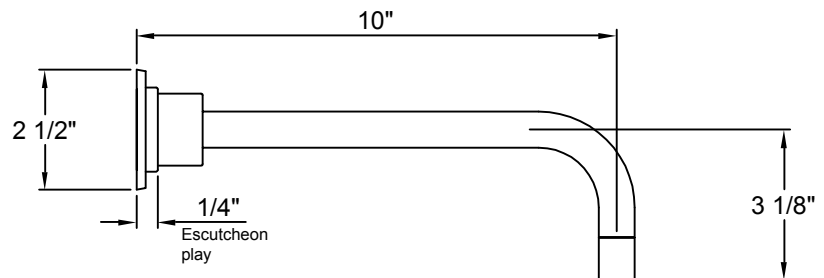
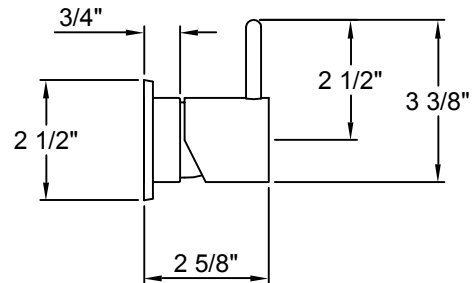
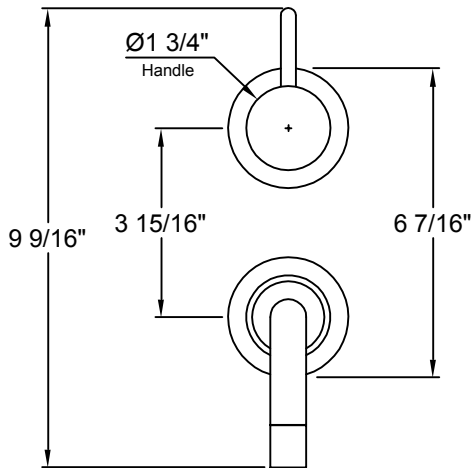
All California Faucets lever and blade handle products are American Disability Act (ADA) compliant.

California Faucets reserves the right to make modification and specification changes at any time. Please verify dimensions prior to installation. Visit www.calfaucets.com for most current technical data.



NOTE:
 Trim ONLY works on SVLH-R or SVLV-R

V6202-V7 (VERTICAL)



NOTE:
 Trim ONLY works on SVLH-R or SVLV-R

V6202-V9 (VERTICAL)



Tel: 714-891-7797
Fax: 714-891-2478
Toll Free: 800-822-8855
www.calfaucets.com

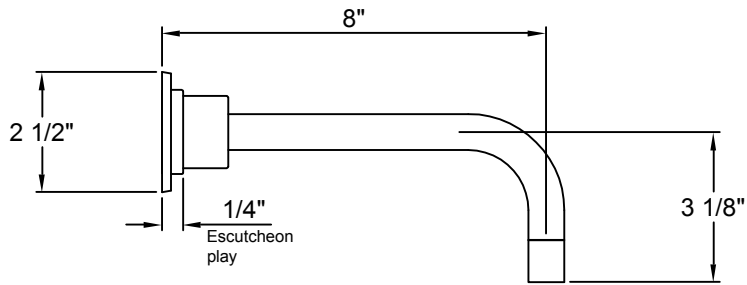
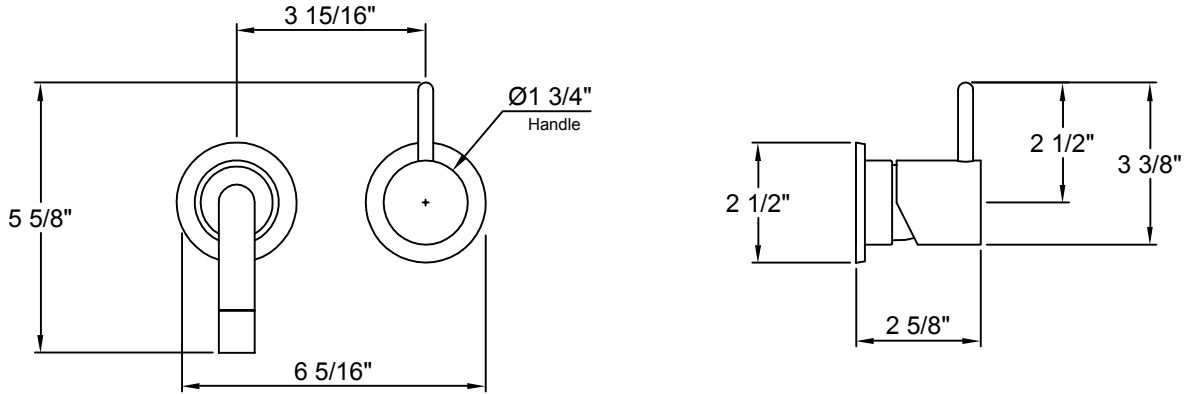
Wall Lavatory Specs

"AVALON" (V6202-7 / V6202-9)



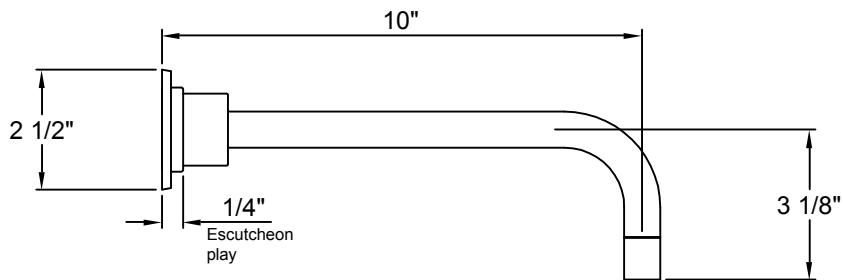
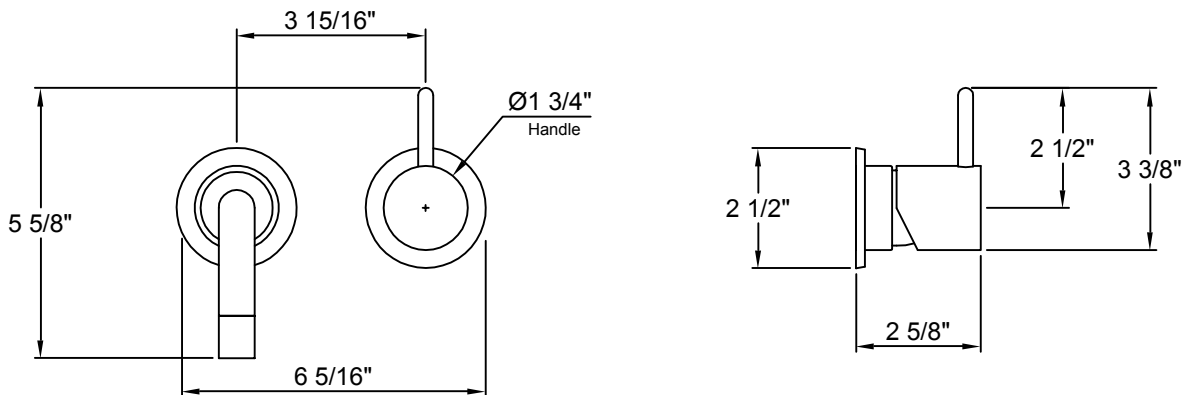
All California Faucets lever and blade handle products are American Disability Act (ADA) compliant.

California Faucets reserves the right to make modification and specification changes at any time. Please verify dimensions prior to installation. Visit www.calfaucets.com for most current technical data.



NOTE:
Trim ONLY works on SVLH-R or SVLV-R

V6202-7



NOTE:
Trim ONLY works on SVLH-R or SVLV-R

V6202-9



Tel: 714-891-7797
Fax: 714-891-2478
Toll Free: 800-822-8855
www.calfaucets.com

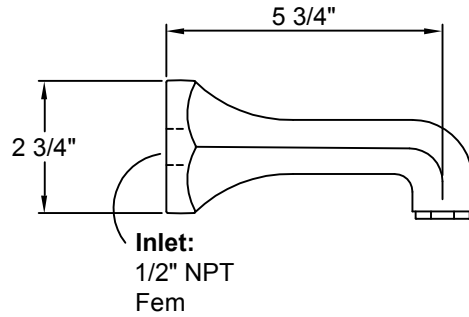
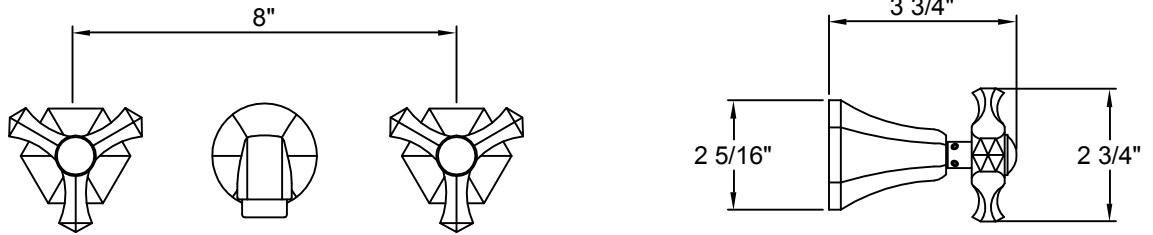
Wall Lavatory Specs

"CATALINA"
(V6302-7 / V6302-9)

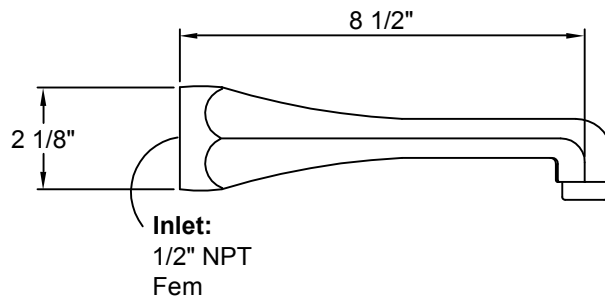
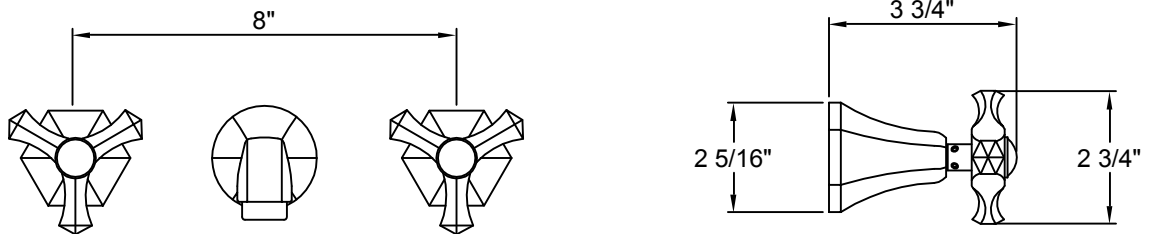


All California Faucets lever and blade handle products are American Disability Act (ADA) compliant.

California Faucets reserves the right to make modification and specification changes at any time. Please verify dimensions prior to installation. Visit www.calfaucets.com for most current technical data.



V6302-7



V6302-9



Tel: 714-891-7797
Fax: 714-891-2478
Toll Free: 800-822-8855
www.calfaucets.com

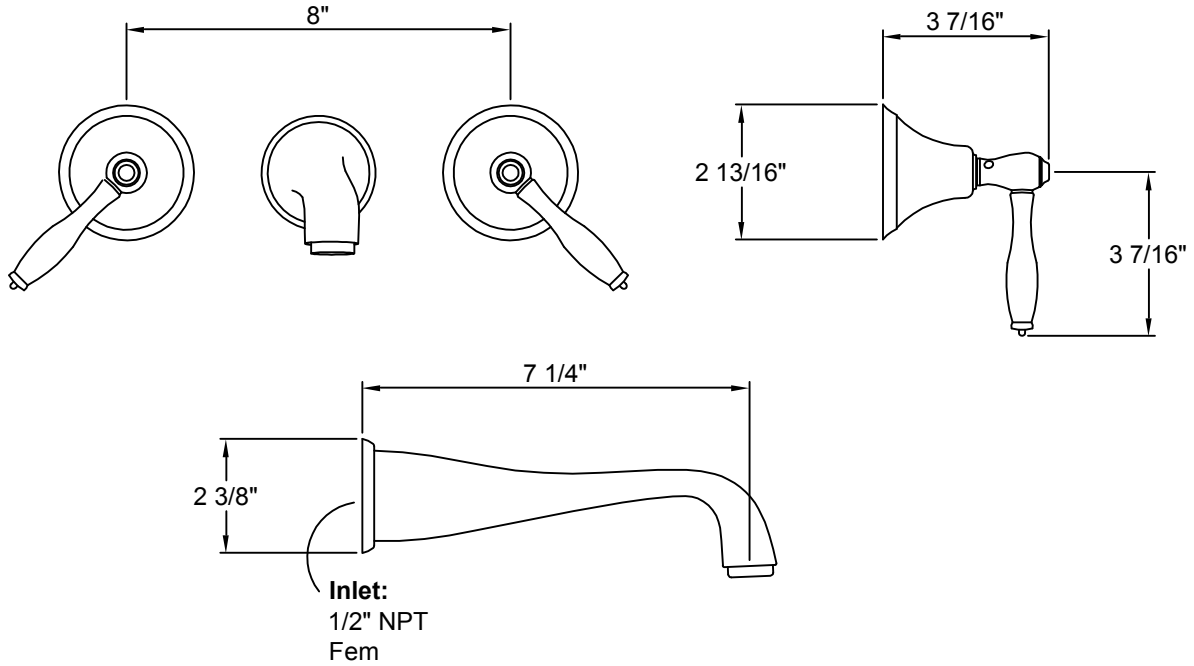
Wall Lavatory Specs

"MENDOCINO"
(V6402-7 / V6402-9)

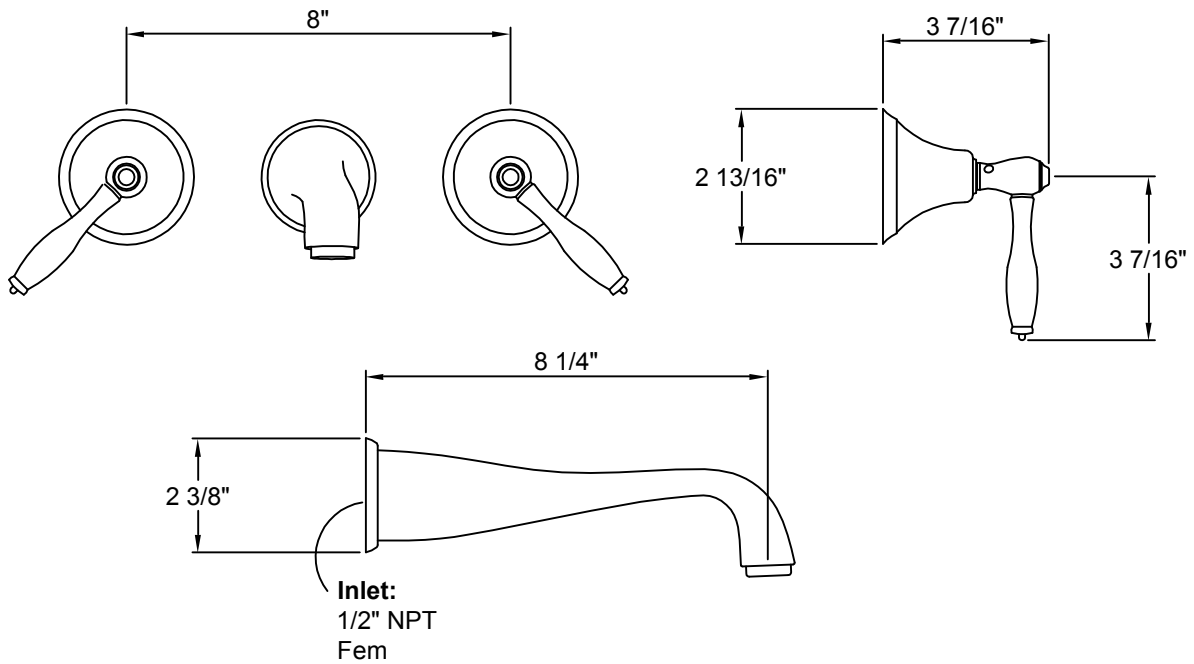


All California Faucets lever and blade handle products are American Disability Act (ADA) compliant.

California Faucets reserves the right to make modification and specification changes at any time. Please verify dimensions prior to installation. Visit www.calfaucets.com for most current technical data.



V6402-7



V6402-9



Tel: 714-891-7797
Fax: 714-891-2478
Toll Free: 800-822-8855
www.calfaucets.com

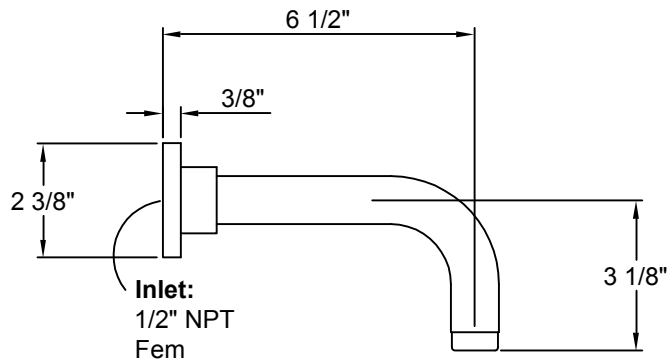
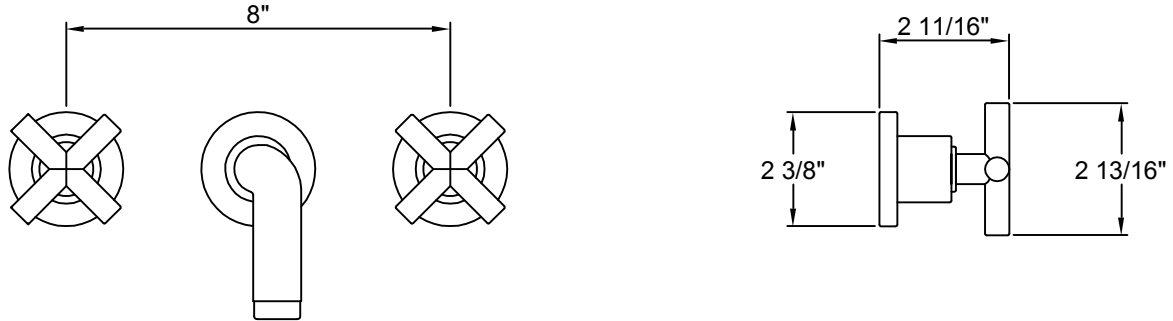
Wall Lavatory Specs

"TIBURON"
(V6502-7 / V6502-9)

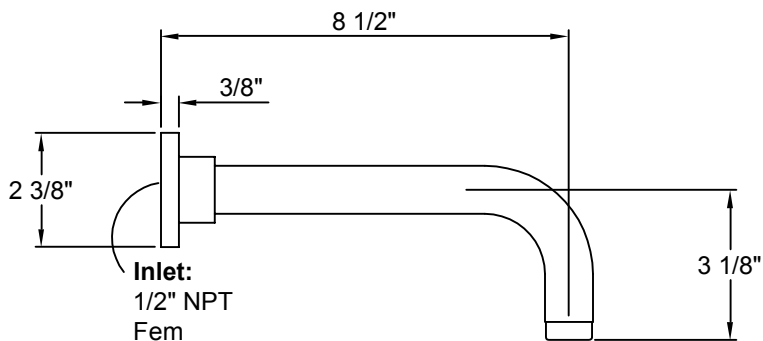
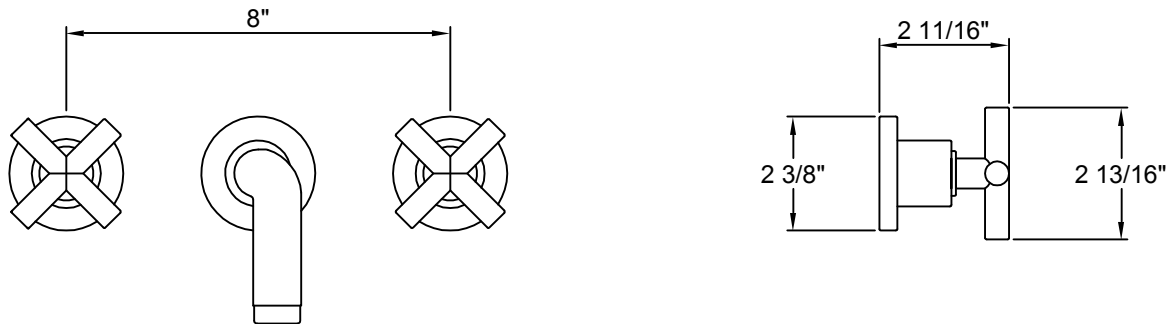


All California Faucets lever and blade handle products are American Disability Act (ADA) compliant.

California Faucets reserves the right to make modification and specification changes at any time. Please verify dimensions prior to installation. Visit www.calfaucets.com for most current technical data.



V6502-7



V6502-9



Tel: 714-891-7797
Fax: 714-891-2478
Toll Free: 800-822-8855
www.calfaucets.com

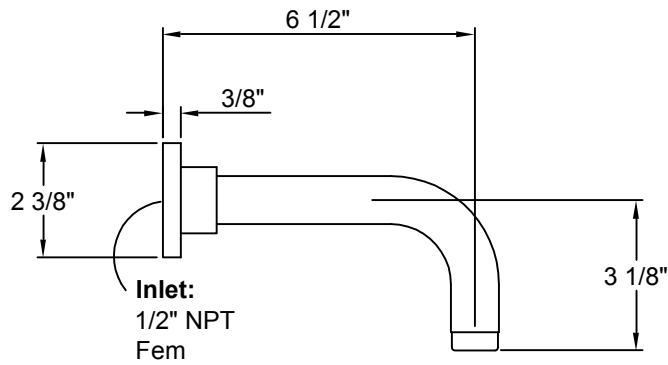
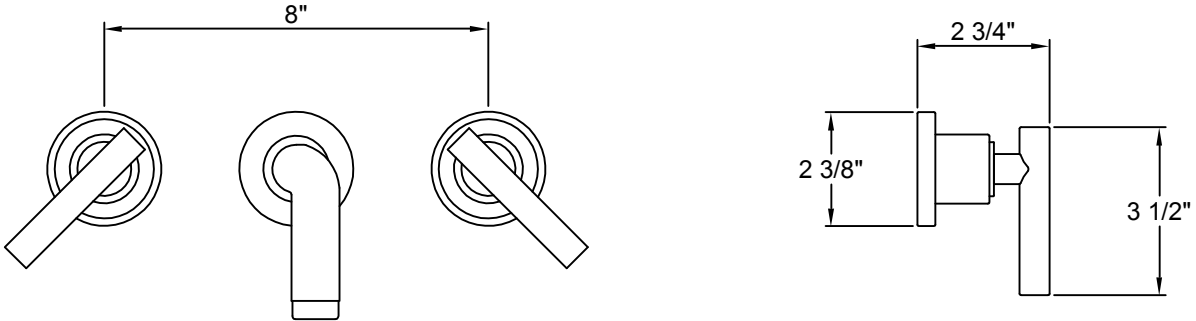
Wall Lavatory Specs

"MONTARA"
(V6602-7 / V6602-9)

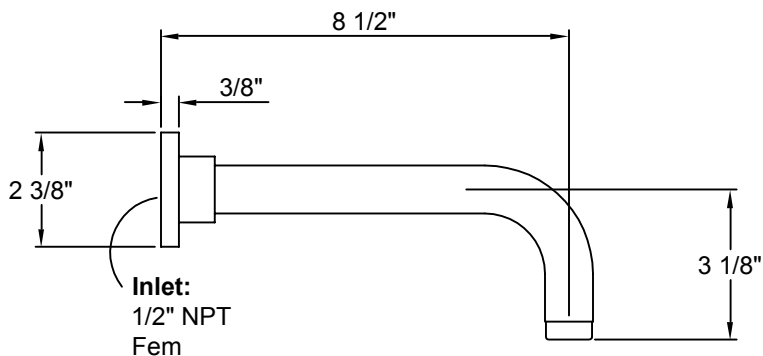
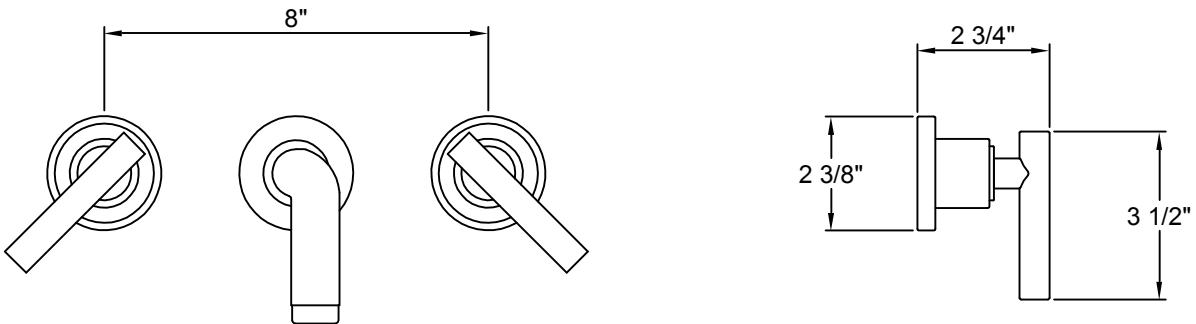


All California Faucets lever and blade handle products are American Disability Act (ADA) compliant.

California Faucets reserves the right to make modification and specification changes at any time. Please verify dimensions prior to installation. Visit www.calfaucets.com for most current technical data.



V6502-7



V6602-9



Tel: 714-891-7797
Fax: 714-891-2478
Toll Free: 800-822-8855
www.calfaucets.com

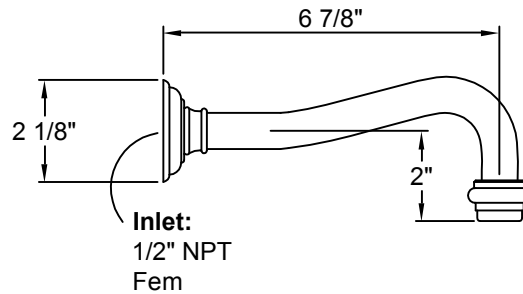
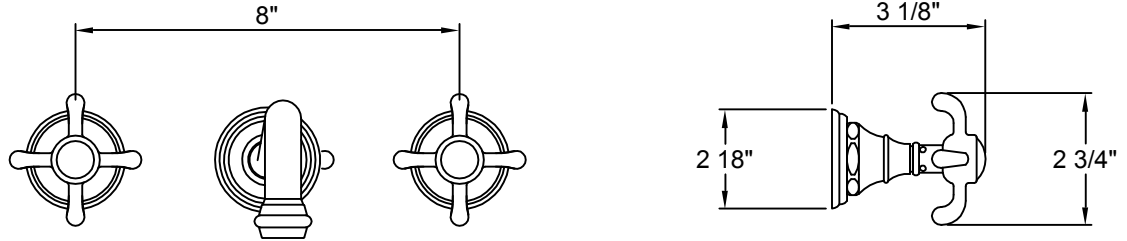
Wall Lavatory Specs

"HUMBOLDT"
(V6702-7 / V6702-9)

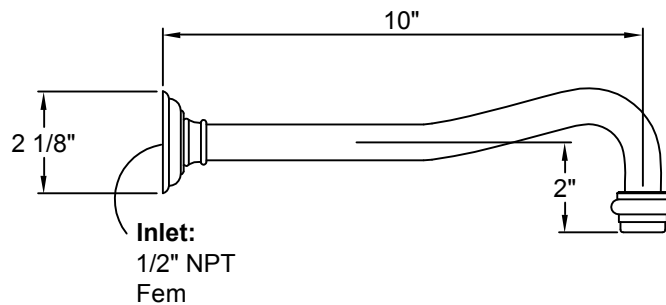
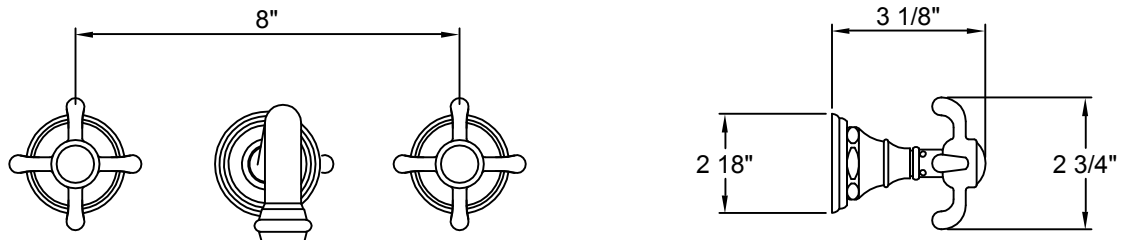


All California Faucets lever and blade handle products are American Disability Act (ADA) compliant.

California Faucets reserves the right to make modification and specification changes at any time. Please verify dimensions prior to installation. Visit www.calfaucets.com for most current technical data.



V6702-7



V6702-9