



## SUGGESTED SPECIFICATION

Tankless Water Heater shall be an Eemax Model \_\_\_\_\_ with \_\_\_\_\_ vac, \_\_\_\_\_ model # \_\_\_\_\_ kW rating \_\_\_\_\_ voltage \_\_\_\_\_ amperage to heat \_\_\_\_\_ GPM @ a temperature rise of \_\_\_\_\_ degrees F. Unit shall have ABS-UL 94Vo rated cover. Element shall be replaceable cartridge insert. Unit shall have replaceable filter in the inlet connector. Element shall be iron free, nickel chrome material. Heater shall be fitted with 1/2" compression nuts (5/8"OD), to eliminate need for soldering. Maximum operating pressure of 150 PSI. Hot water storage tanks prohibited. Unit shall be Eemax or approved equal.

NOTE: Refer to rating chart for product information.

## SPECIFICATION OPTIONS

- Model:  SL = (Single Lav.)- 3/8" adapter supplied  
In line flow restrictor available  
Specify flow rate (.5 GPM to 1 GPM)  
Example: EX55SL
- DL = (Dual Lavs)-supplied with two faucet aerators  
Example: EX55DL, EX61 1 GPM or .5 GPM
- FC = (Flex Connector) - Steel braided flex connector. Example: EX55FC176  
3/8" C x 1/2" FIP - 16" faucet supply (EX176)  
or  
3/8" C x 3/8" C - 16" faucet supply (EX177)
- Plumbing Orientation:  SP = Top water connections  
1/2" (5/8"OD) compression fittings  
 EX = Bottom water connections  
1/2" (5/8"OD) compressions fittings

## RATINGS OF "FLOW CONTROLLED" MODELS { Cold water feed only }

PLUMBING ORIENTATION	MODEL	OPTIONS	VOLTS	kW	AMPS	TEMPERATURE RISE °F					RECOMMENDED WIRE SIZE
						0.5 GPM	0.75 GPM	1.0 GPM	1.5 GPM	2.0 GPM	
SP,EX	35	SL,FC	240V*	3.5kW	15A	48°	32°	24°	-	-	14AWG
SP,EX	55	SL,DL,FC	240V*	5.5kW	23A	75°	50°	38°	25°	19°	10AWG
SP,EX	65	SL,DL,FC	240V*	6.5kW	27A	89°	59°	44°	30°	22°	10AWG
SP,EX	75	SL,DL,FC	240V*	7.5kW	32A	-	68°	51°	34°	26°	8AWG
SP,EX	95	DL,FC	240V*	9.5kW	40A	-	87°	65°	43°	32°	8AWG
SP,EX	8208	DL,FC	208V	8.3kW	40A	-	76°	57°	38°	28°	8AWG
SP,EX	60	SL,DL,FC	277V	6.0kW	22A	82°	55°	41°	27°	20°	10AWG
SP,EX	80	DL,FC	277V	8.0kW	29A	-	73°	55°	36°	27°	10AWG
SP,EX	90	DL,FC	277V	9.0kW	33A	-	82°	61°	41°	31°	8AWG
SP,EX	100	DL,FC		10.kW	36A	-	91°	68°	46°	34°	8AWG

\* Units can be used at 208V with 25% reduced output and amperage.

## SPECIFICATIONS:

Dimensions: 10.75" x 5.25" x 2.78"

Weight: 3 lbs.

Cover: ABS UL rated 94Vo.

Color: White

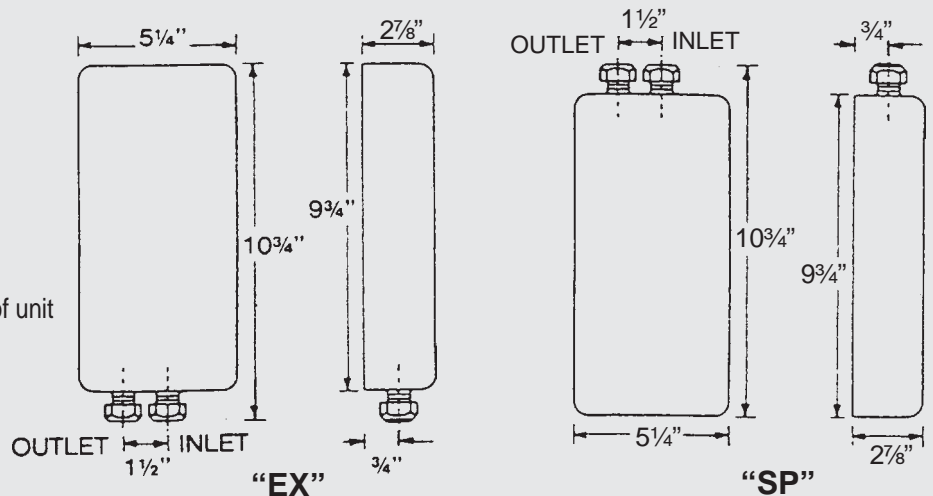
Element: Replaceable cartridge insert

Fittings: 1/2" pipe (5/8"OD) compression at bottom of unit or 3/8" compression (SL)

Operating Pressure: min 25 PSI, max 150 PSI

UL Listed: E86887 (M)

U.S. Patent #'s: 4,762,980 and 4,960,976



**SPECIAL DESIGN SERVICE**

INQUIRIES FOR UNITS FOR UNIQUE APPLICATIONS ARE WELCOME. CALL OUR TECHNICAL SERVICE DEPT. 1-800-543-6163

## EEMAX SUBMITTAL

Engineer/Architect: \_\_\_\_\_  
 Job Name/Customer: \_\_\_\_\_  
 Location: \_\_\_\_\_  
 Contractor: \_\_\_\_\_  
 Representative: \_\_\_\_\_  
 HEATER SPECIFICATIONS:

EX Model #	EX	Option	Quantity	kW	Voltage	AMPS	GPM

# Eemax® Inc.

353 Christian St., Oxford, Ct 06478

www.eemax.com

Telephone: (203) 267-7890

Toll Free: 1-800-543-6163

Fax: (203) 267-7975