

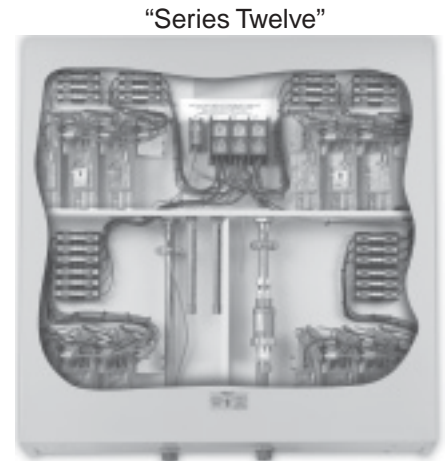
ELECTRIC TANKLESS WATER HEATERS

6/04

MODELS:

“SERIES TWELVE” (12 HEATING MODULES)

Model	Turn On Options	Thermostatic Options	Volts	kW	Amps/Phase
EX720T12	EFD,DS	S,FS	480Y/277V (neutral leg required)	72	87A
EX960T12	EFD,DS	S,FS	480Y/277V (neutral leg required)	96	116A
EX1080T12	EFD,DS	S,FS	480Y/277V (neutral leg required)	108	130A
EX1260T12	EFD,DS	S,FS	480Y/277V (neutral leg required)	126	156A
EX720T12	EFD,DS	S,FS	208V/3 Ø (no neutral leg)	72	200A
EX960T12	EFD,DS	S,FS	208V/3 Ø (no neutral leg)	96	267A



EX (T12) DS
 EFD/Combo

SPECIFICATION OPTIONS

Activation Turn On Options

- EFD/Combo = For combination Eye/Face Drench Shower
First Stage 4 GPM turn on (1/2 kW power) Eye/Face
Second Stage 15 GPM turn on (full kW power) Drench Shower
- DS = For Drench Shower only. (min. turn on 12 GPM)

Thermostatic Options

- S = Sanitation Setting to 180°
- FS = Factory set non adjustable temperature
- Nema 4 = Enclosure 42" x 36" x 12", panel 40.2" x 34.2"

APPLICATIONS:

- Emergency Drench Shower (DS)
- Combo Eye/Face Drench Shower (EFD/Combo)
- Capacity 4 GPM (first stage/EFD combo) to 25 GPM
- ANSI requirement: Drench Shower minimum 20 GPM,
Combo Eye/Face, Drench Shower minimum 23 GPM
30 PSI, 15 minutes "Tepid" water (60° to 95°) range
- Industrial, Commercial
- Factories
- Boosters to 180° (S)

**ADVANCED TECHNOLOGY • HIGHEST EFFICIENCY
DESIGNED FOR DURABILITY**



DS
Drench
Shower



EFD/Combo
Eye/Face
Drench Shower

MADE IN USA



QUALITY FEATURES

- **Unlimited On Demand Hot Water** - no delay
- **Meets ANSI Z358.1 Tepid Water Requirements**
- **Sophisticated Thermostatic Control** continuously monitors outlet temperature and adjust output for variations in flow and pressure.
- **Eliminate Costly Mixing Valves.**
- **Easy Installation** - only cold water supply needed - unit equipped with 1 1/4" NPT fitting
- **Reduced Installation Material Cost** - no T&P relief needed (check local codes)
- **Micro Processor Technology** - accurately maintains outlet temperature (+/- 1 degree F)
- **Splashproof Enclosure**
- **Prevents legionella, mycobacterial growth**
- **Cut Energy Waste** - flow switch activates heater only on demand (no standby heat loss) - **99% efficient.**
- **Compact Size** (32" x 32" x 6")
- **Field Serviceable Elements**
- **Special Engineered flow switch turns on in stages** based on demand ensuring that the unit will provide only specified outlet temperature.
- **Heater designed to fail to cold supply on electrical failure.**
- **Warranty - Full Factory Warranty** - Heaters are guaranteed against failure due to leaks of "Heater Body/Element Assembly" for a period of Five Years

SUGGESTED SPECIFICATION

Tankless Water Heater shall be an Eemax Model _____ with _____ kW rating _____ vac. _____ voltage to heat _____ GPM @ a temperature rise of _____ degrees F. _____ amperage

Elements shall be replaceable cartridge insert. Element shall be iron free, nickel chrome material. Heater shall be fitted with 1 1/4" NPT. Heater shall be installed upright with water connections on bottom. Hot water storage tanks prohibited. Unit shall be Eemax or approved equal.

NOTE: Refer to rating chart for product information.

SPECIAL DESIGN SERVICE

INQUIRIES FOR UNITS FOR UNIQUE APPLICATIONS ARE WELCOME. CALL OUR TECHNICAL SERVICE DEPT. 1-800-543-6163



EEMAX SUBMITTAL

Engineer/Architect: _____
 Job Name/Customer: _____
 Location: _____
 Contractor: _____
 Representative: _____
 HEATER SPECIFICATIONS:
 Option _____ Quantity _____ kW _____ Voltage _____ AMPS _____ GPM _____
 Series Twelve Model # _____

"SERIES TWELVE" SPECIFICATIONS:

- Dimensions: 32 3/32" x 32 3/32" x 6"
- Weight: 70 lbs
- Element: Twelve replaceable cartridge inserts plus two spares
- Fittings: 1 1/4" NPT fittings at bottom
- Operating Pressure: min. 25 PSI, max 150 PSI
- UL Listed: E86887(M) • US Patent #'s 4,960,976 - 4,762,980

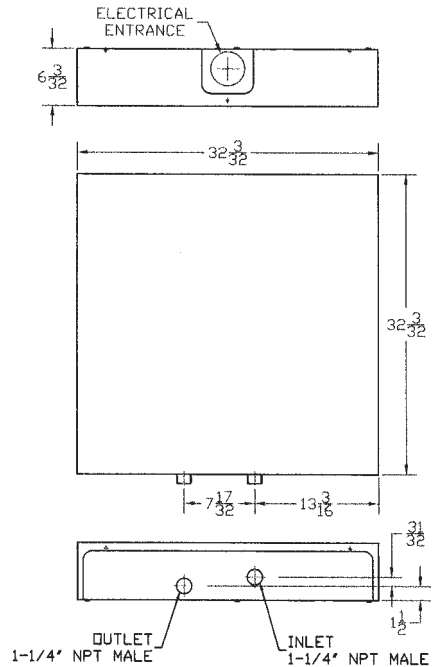
SPECIFICATION OPTIONS

Activation Turn On Options

- EFD/Combo = For combination Eye/Face Drench Shower
 First Stage 4 GPM turn on (1/2 kW power) Eye/Face
 Second Stage 15 GPM turn on (full kW power) Drench Shower
- DS = For Drench Shower only. (min. turn on 12 GPM)

Thermostatic Options

- S = Sanitation Setting to 180°
- FS = Factory set non adjustable temperature
- Nema 4 = Enclosure 42" x 36" x 12", panel 40.2" x 34.2"



RATINGS OF "SERIES TWELVE" (TWELVE HEATING MODULES)

MODEL	TURN ON OPTIONS	THERMOSTATIC OPTIONS	VOLTS	TOTAL kW	AMPS PER PHASE	FIRST STAGE EYE/FACE TEMPERATURE RISE °F		SECOND STAGE DRENCH TEMPERATURE RISE °F		RECOMMENDED WIRE SIZE
						6 GPM	7.5 GPM	20 GPM	23 GPM	
EX720T12	EFD,DS	S,FS	480Y/277V	72kW	87A	41	33	25	21	1/0AWG
EX960T12	EFD,DS	S,FS	480Y/277V	96kW	116A	55	44	33	28	3/0AWG
EX1080T12	EFD,DS	S,FS	480Y/277V	108kW	130A	61	49	37	32	4/0AWG
EX1260T12	EFD,DS	S,FS	480Y/277V	126kW	156A	72	57	43	37	250MCM
EX720T12	EFD,DS	S,FS	208V/3 Ø	72kW	200A	41	33	25	21	300MCM
EX960T12	EFD,DS	S,FS	208V/3 Ø	96kW	267A	55	44	33	28	400MCM

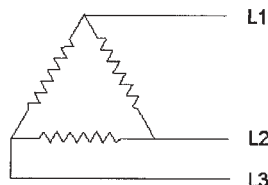
Electrical Configurations and Requirements for Eemax Three Phase Instantaneous Water Heaters.

All Eemax three-phase units are custom made to order and as such are, non-returnable and non-refundable. We urge you therefore to check your electrical supply, making sure all criteria for operating your Eemax water heater are met, especially that a neutral line is available for all 480/277 volt units.

Eemax 208/120 Three Phase Units

Delta Configuration

Requires: 3 Lives, 1 Ground (earth)

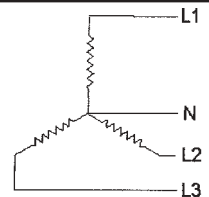


Three-Phase delta; Three-wire

Eemax 480/277 Three Phase Units

Star Configuration

Requires: 3 Lives, 1 Neutral and 1 Ground



Three-Phase star; four-wire; non-earthed neutral

Eemax® Inc.

353 Christian Street, Oxford, CT 06478

www.eemax.com

Telephone: (203)267-7890
 TOLL FREE: 1-800-543-6163
 FAX: (203) 267-7975