



# ELECTRIC MINI-TANK WATER HEATERS

EMT2.5 = 2.5 GAL. EMT4 = 4 GAL.



## Plugs into standard 110 volt outlet.

### ► **Save water**

Installing the Mini-Tank under the sink puts hot water right where you need it – at the point-of-use, so there is no water going down the drain while waiting for hot water.

### ► **Save energy**

Point-of-use water heating eliminates long runs of pipe and long waits for hot water at the tap.

### ► **Superior design**

Impact and corrosion resistant exterior. Glass lined tank inside. Quick economical recovery and superior insulation for high efficiency.

### ► **Save space**

By installing an Eemax point-of-use heater, you eliminate the need for a large bulky storage tank.

### ► **Easy to size**

2.5 gallon for 1 sink  
4 gallon for 2 sinks  
6 gallon for up to 4 sinks (see EMT6 spec sheet)

### ► **Versatile applications**

Homes, cottages, kitchenettes  
Stores and offices  
RVs and mobile homes, boats  
Restaurants and hotels  
Service stations  
Warehouses and factories

## **Mini-Tank Features**

- 5 year warranty on tank
- Glass-lined tank for longer life
- Mounts on wall or floor
- Temperature/pressure relief valve included
- 2.5 and 4 gallon models plug into standard 110 volt outlet
- 6 gallon model available (EMT6)

## **Easy Installation**

Save water by eliminating the wait for hot water to reach the tap. Simply tap into the cold water line and install the heater directly at the sink. No need for costly recirculating lines and pumps. And when you want to eliminate the wait for hot water but need more volume, install the Eemax heater in-line with a larger hot water source, such as a tankless heater or a storage tank heater.

Lightweight and compact, the 2.5 and 4 gallon models plug into a standard 110 volt outlet.



## Technical Data

SPECIFICATIONS	EMT2.5	EMT4
Tank Volume	2.5 gallons	4 gallons
Weight	18 lbs	19 lbs
Recovery time (60° to 150°)	25 minutes	45 minutes
Water Connections	1/2" NPT	1/2" NPT
Relief Valve	installed	installed

### All Units

Voltage - 110/120 volts

Amperage - 10 amps

Heating Capacity - 1200 watts

Phase - single

Temperatures - 65° - 155°F

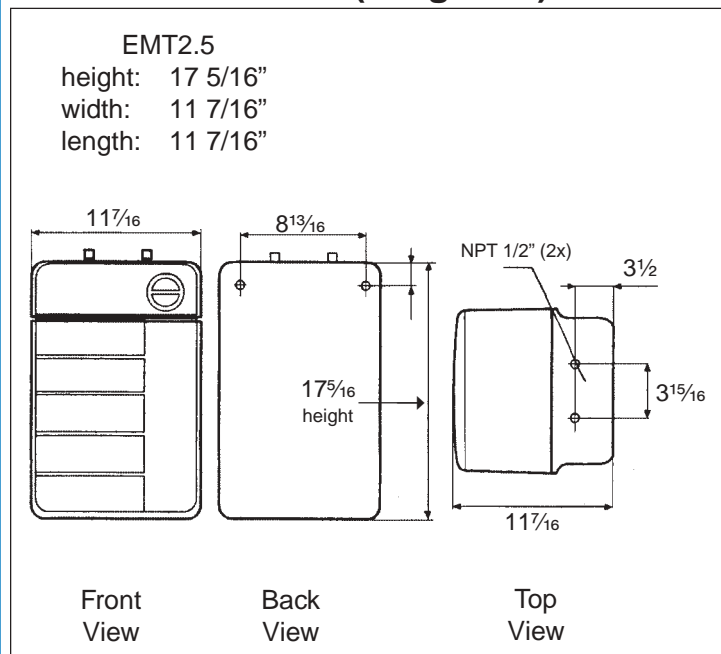
Operating Pressure - 150 psi

## Mini-Tank Features

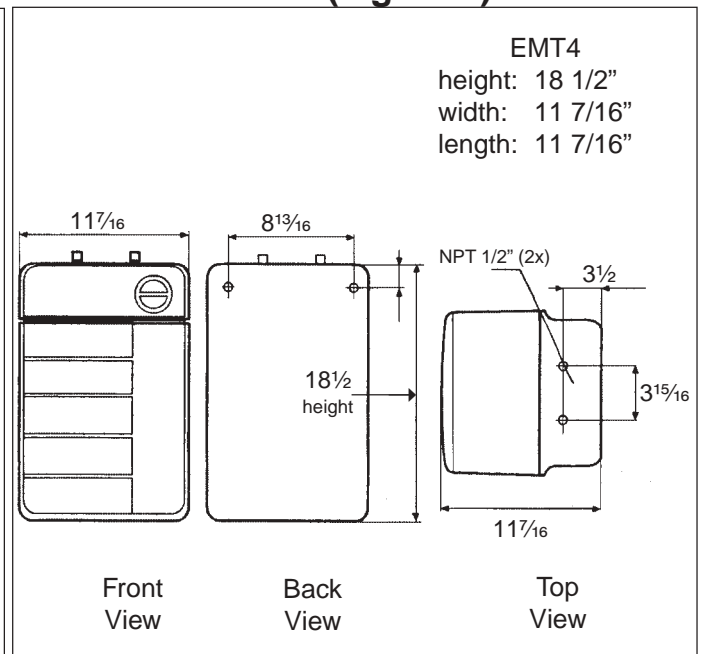
- 5 year warranty on tank
- 2 year warranty on parts
- Glass-lined tank for longer life
- Mounts on wall or floor
- Temperature/pressure relief valve included
- 2.5 and 4 gallon models plug into standard 110 volt outlet
- 6 gallon model (hardwire) see EMT6 spec sheet
- Meets ASHRAE 90.1 Standard

## ELECTRIC MINI TANK DIMENSIONS

### EMT2.5 (2.5 gallon)



### EMT4 (4 gallon)



# Eemax®

353 Christian Street

Oxford, CT 06478

1-800-543-6163

email - eemaxinc@aol.com

www.eemax.com

CSA US  
CSA STD  
C2.2NO 110  
UL STD 174