



“SERIES SIX”

MICRO PROCESSING TEMPERATURE CONTROL

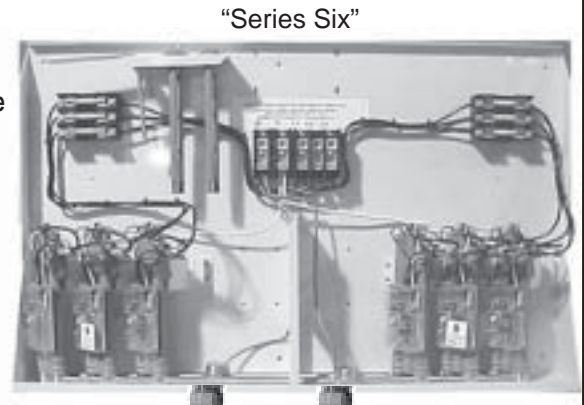
ELECTRIC TANKLESS WATER HEATERS

5/05

MODELS:

“SERIES SIX” (SIX HEATING MODULES)

Model	Turn On Options	Thermostatic Options	Volts	kW	Amps/Phase
EX360	T6,T24T	S,EF,FS	480Y/277V (neut. leg req.)	36	43A
EX480	T6,T24T	S,EF,FS	480Y/277V (neut. leg req.)	48	58A
EX540	T6,T24T	S,EF,FS	480Y/277V (neut. leg req.)	54	65A
EX630	T6,T24T	S,EF,FS	480Y/277V (neut. leg req.)	63	76A
EX360	T6,T24T	S,EF,FS	208/120V (no neut. leg req.)	36	100A
EX480	T6,T24T	S,EF,FS	208/120V (no neut. leg req.)	48	133A



“Series Six”

EX (T6)

SPECIFICATION OPTIONS:

Thermostatic Temperature Control Options

- S = Sanitation 180°
- EF/Combo = Tepid water emergency eye/face wash
- FS = Factory set temperature settings (ambient - 100°)

Activation Turn On Options

- T6 = Parellel turns on 4 GPM max flow 12 GPM
- T24T = Turns on in stages, first stage 1 GPM, second stage 1.8 GPM, third stage 3.2 GPM, max 6 GPM
- Nema 4 = Enclosure 36" x 30" x 12"

APPLICATIONS:

- Eye/Face Combo “Tepid” Water
- Commercial/Industrial
- Capacity 4 to 13 GPM
- Meets ANSI Z358.1 “tepid” water requirements for emergency eye/face wash. Minimum flow 3 GPM “Tepid” water, (60° to 95°) range
- Boosters to 180° (S)



EF/Combo
Eye / Face Wash

**ADVANCED TECHNOLOGY • HIGHEST EFFICIENCY
DESIGNED FOR DURABILITY**

MADE IN USA



QUALITY FEATURES

- **Unlimited On Demand Hot Water** - no delay
- **Meets ANSI Z358.1 Tepid Water Requirements**
- **Sophisticated Thermostatic Control** continuously monitors outlet temperature and adjust output for variations in flow and pressure.
- **Eliminate Costly Mixing Valves.**
- **Easy Installation** - only cold water supply needed - unit equipped with 1" NPT fitting
- **Reduced Installation Material Cost** - no T&P relief needed (check local codes)
- **Micro Processor Technology** - accurately maintains outlet temperature (+/- 1 degree F)
- **Splashproof Enclosure**
- **Prevents legionella, mycobacterial growth**
- **Cut Energy Waste** - flow switch activates heater only on demand (no standby heat loss) - **99% efficient.**
- **Compact Size**
- **Field Serviceable Elements**
- **Heater designed to fail to cold supply on electrical failure.**
- **Warranty - Full Factory Warranty** - Heaters are guaranteed against failure due to leaks of “Heater Body/Element Assembly” for a period of Five Years

SUGGESTED SPECIFICATION

Tankless Water Heater shall be an Eemax Model _____ with _____ vac, _____ to heat _____ GPM @ a temperature rise of _____ degrees F.

Elements shall be replaceable cartridge insert. Element shall be iron free, nickel chrome material. Heater shall be fitted with 1" NPT. Heater shall be installed upright with water connections at bottom. Hot water storage tanks prohibited. Unit shall be Eemax or approved equal.

NOTE: Refer to rating chart for product information.

"SERIES SIX" SPECIFICATIONS:

Dimensions: 32 3/32 x 20 3/32 x 6 3/32

Weight: 42 lbs

Elements: Six replaceable cartridge elements plus two spares

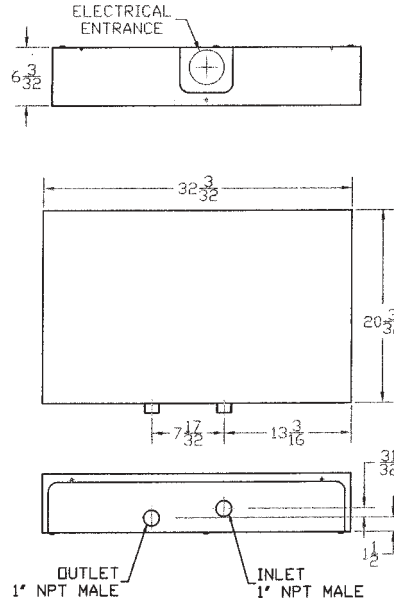
Fittings: 1" NPT fitting at bottom

Operating pressure, min. 50 PSI, max 150 PSI

UL Listed: E86887(m)

U.S. Patent #'s: 4.762.980 & 4.960.976

NOTE: Flow Activated



EEMAX SUBMITTAL

Engineer/Architect: _____
 Job Name/Customer: _____
 Location: _____
 Contractor: _____
 Representative: _____

HEATER SPECIFICATIONS:

Series Six Model # _____ Option _____ Quantity _____ kW _____ Voltage _____ AMPS _____ GPM _____

SPECIAL DESIGN SERVICE

INQUIRIES FOR UNITS FOR UNIQUE APPLICATIONS ARE WELCOME. CALL OUR TECHNICAL SERVICE DEPT. 1-800-543-6163



RATINGS OF "SERIES SIX" UNITS

MODEL	TURN ON OPTIONS	THERMOSTATIC OPTIONS	VOLTS	kW	AMPS	TEMPERATURE RISE AT °F						RECOMMENDED WIRE SIZE
						4.0 GPM	5.0 GPM	6.0 GPM	7.5 GPM	8.0 GPM	10.0 GPM	
EX360	T6,T24T	EF,S,FS	480Y/277V	36kW	43A	61°	49°	41°	32°	30°	24°	4 AWG
EX480	T6,T24T	EF,S,FS	480Y/277V	48kW	58A	82°	65°	54°	43°	41°	32°	3 AWG
EX540	T6,T24T	EF,S,FS	480Y/277V	54kW	65A	92°	73°	61°	49°	46°	36°	2 AWG
EX630	T6,T24T	EF,S,FS	480Y/277V	63kW	76A	107°	86°	71°	57°	53°	43°	1 AWG
EX360	T6,T24T,	EF,S,FS	208/120V	36kW	100A	61°	49°	41°	32°	30°	24°	1 AWG
EX480	T6,T24T	EF,S,FS	208/120V	48kW	133A	82°	65°	54°	43°	41°	32°	2/0 AWG

SPECIFICATION OPTIONS

THERMOSTATIC OPTIONS

- S = Sanitation temperature setting 180°
- EF/Combo = Tepid water temperature setting emergency eye/face wash
- FS = Factory set temperature setting (ambient - 100°)

ACTIVATION TURN ON OPTIONS

- T6 = Parallel turns on 4 GPM max flow 12 GPM
- T24T = Turns on in stages, first stage 1 GPM, second stage 1.8 GPM, third stage 3.2 GPM, max 6 GPM
- Nema 4 = Enclosure 36" x 30" x 12"

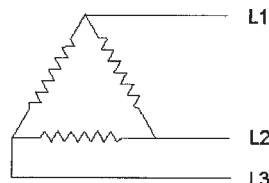
Electrical Configurations and Requirements for Eemax Three Phase Instantaneous Water Heaters.

All Eemax three-phase units are custom made to order and as such are, non-returnable and non-refundable. We urge you therefore to check your electrical supply, making sure all criteria for operating your Eemax water heater are met, especially that a neutral line is available for all 480/277 volt units.

Eemax 208/120 Three Phase Units

Delta Configuration

Requires: 3 Lives, 1 Ground (earth)

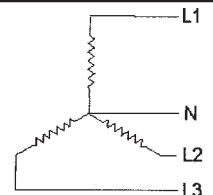


Three-Phase delta; Three-wire

Eemax 480/277 Three Phase Units

Star Configuration

Requires: 3 Lives, 1 Neutral and 1 Ground



Three-Phase star; four-wire; non-earthed neutral

Eemax® Inc.

353 Christian Street, Oxford, CT 06478

www.eemax.com

Telephone: (203)267-7890
 TOLL FREE: 1-800-543-6163
 FAX: (203) 267-7975