

ELKAY[®]

SPECIFICATIONS

Avado™ Collection

Undermount Double Bowl Sink

Model EFU321910

GENERAL

Highest quality sink bowl fabricated of #16 gauge, type 304 (18-8) nickel bearing stainless steel. Reversible design allows the sink to be rotated so the small bowl may be on the right.

DESIGN FEATURES

Bowl Depth: 10" (large bowl), 6" (small bowl).

Coved Corners: Zero radius.

Finish: Exposed surfaces are polished to a bright satin finish.

Underside: Fully undercoated to dampen sound and prevent condensation.

OTHER

Drain Opening: 3-1/2".

NOTE: All Elkay undermount sinks are designed to attach easily to the underside of any solid surface countertop.

OPTIONAL ACCESSORIES

Rinsing Baskets: LKRB715, LKRB1520 or LKERBSS.

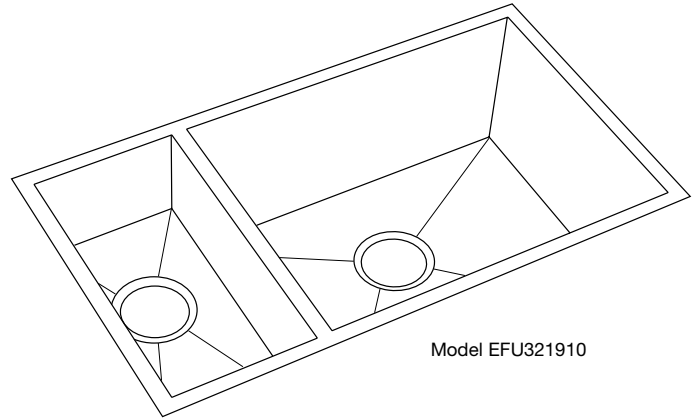
Bottom Grid: LKBG2015.

SINK DIMENSIONS (INCHES)*

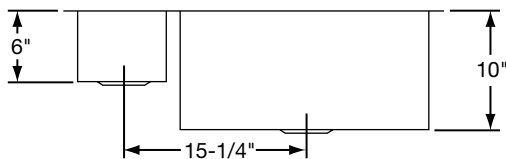
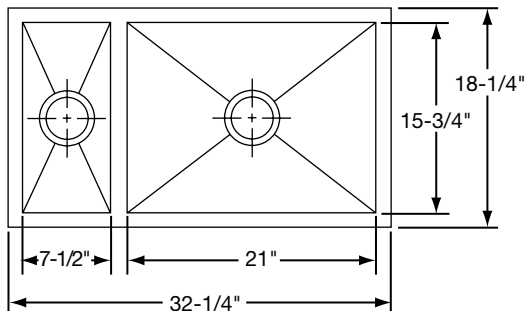
Model Number	Overall		Inside Small Bowl			Inside Large Bowl			Cutout in Countertop	Minimum Cabinet Size	Ship. Wt. Lbs.
	L	W	L	W	D	L	W	D			
EFU321910	32 1/4	18 1/4	7 1/2	15 3/4	6	21	15 3/4	10	See Template**	36	35 3/4

*Length is left to right. Width is front to back.

**Template and countertop mounting clips are packed with every sink.



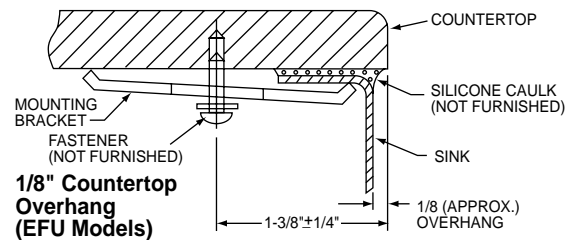
Model EFU321910



Model EFU321910 Illustrated

Installation Profile of EFU Models

The template provided with each EFU sink provides the only type of installation recommended by Elkay.



ALL DIMENSIONS IN INCHES, TO CONVERT TO MILLIMETERS MULTIPLY BY 25.4.

In keeping with our policy of continuing product improvement, Elkay reserves the right to change product specifications without notice.

This specification describes an Elkay product with design, quality and functional benefits to the user. When making a comparison of other producers' offerings, be certain these features are not overlooked.