

**Lustertone® Undermount Double Bowl Sink
Model ELUH3119 Series**



SPECIFICATIONS

GENERAL

Highest quality sink seamlessly drawn of #18 gauge, type 304 (18-8) nickel bearing stainless steel. Underside of sink is fully protected by heavy duty Sound Guard™ undercoating. Designed to accept waste disposer.

DESIGN FEATURES

Bowl Depth: 7-1/2" (ELUH3119); 10" (ELUH311910 Large Bowl); 7-1/2" (ELUH311910 Small Bowl).

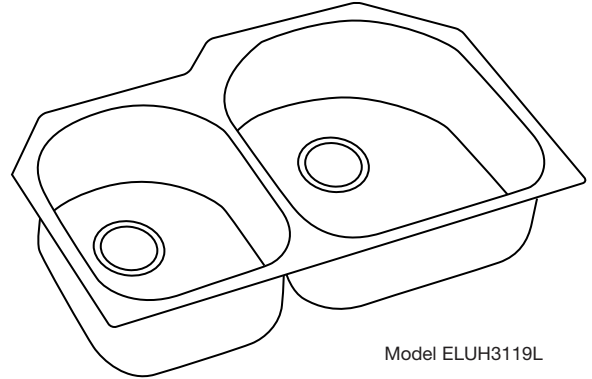
Finish: Exposed surfaces are hand blended to a lustrous highlighted satin finish.

Underside: Underside of sink is fully protected by heavy duty Sound Guard™ undercoating to prevent condensation and deaden sound.

OTHER

Drain Opening: 3-1/2".

Note: All Elkay custom design undermount sinks are designed to affix easily to the underside of any solid surface countertop.



Model ELUH3119L

OPTIONAL ACCESSORIES

Rinsing Baskets: LKRB1614 and LKERBSS.

Bottom Grid: LKOBG1821.

These sinks comply with ANSI Standard A112.19.3M.

SINK DIMENSIONS (INCHES)*

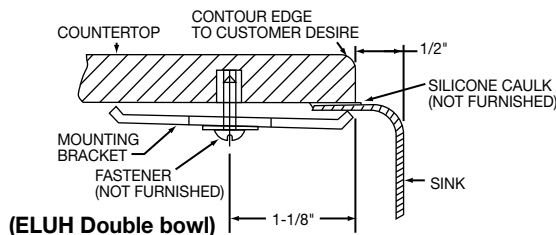
Model Number	Overall		Inside Left Bowl			Inside Right Bowl			Cutout in Countertop	Ship. Wt. Lbs.
	L	W	L	W	D	L	W	D		
ELUH3119L	31 1/4	20	11 1/2	15	7 1/2	16	17 1/2	7 1/2	See Template**	19 1/2
ELUH3119R	31 1/4	20	16	17 1/2	7 1/2	11 1/2	15	7 1/2		19 1/2
ELUH311910L	31 1/4	20	11 1/2	15	7 1/2	16	17 1/2	10		20 1/2
ELUH311910R	31 1/4	20	16	17 1/2	10	11 1/2	15	7 1/2		20 1/2

*Length is left to right. Width is front to back.

**Template and countertop mounting clips are packed with every sink.

Installation Profile of ELUH Double Bowl Models

The template provided with each ELUH sink provides the only type of installation recommended by Elkay.

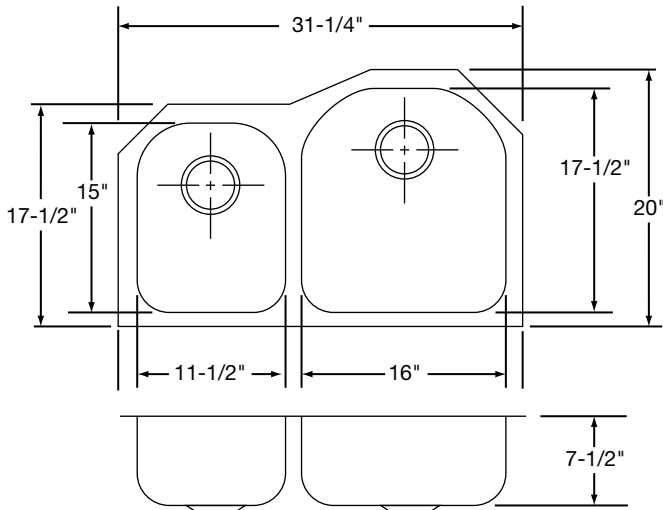


ALL DIMENSIONS IN INCHES, TO CONVERT TO MILLIMETERS MULTIPLY BY 25.4.

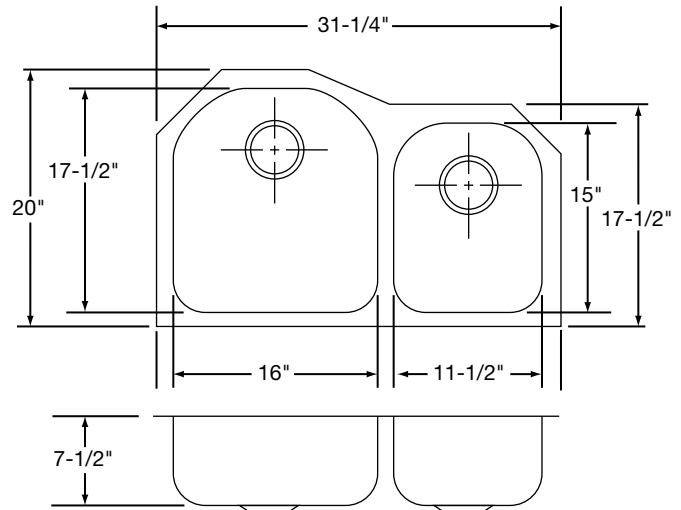
In keeping with our policy of continuing product improvement, Elkay reserves the right to change product specifications without notice.

This specification describes an Elkay product with design, quality and functional benefits to the user. When making a comparison of other producers' offerings, be certain these features are not overlooked.

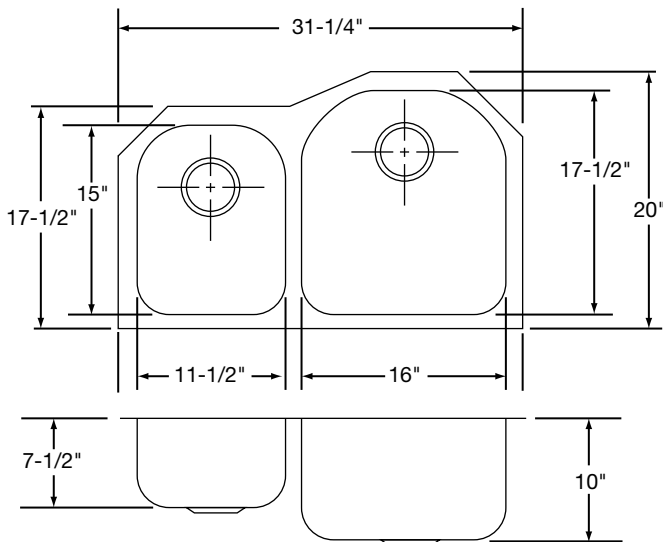
SPECIFICATIONS



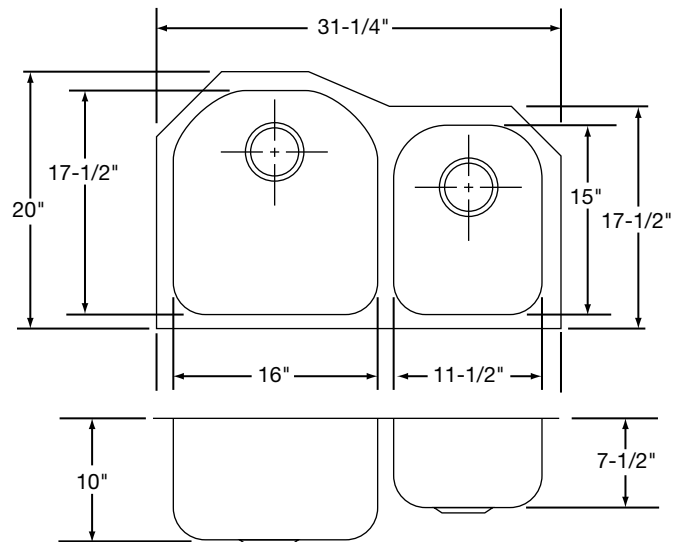
Model ELUH3119L Illustrated



Model ELUH3119R Illustrated



Model ELUH311910L Illustrated



Model ELUH311910R Illustrated

Installation Profile of ELUH Double Bowl Models
The template provided with each ELUH sink provides the only type of installation recommended by Elkay.

