

**Lustertone® Undermount Double Bowl Sink
Models ELUH3120L and ELUH3120R**



SPECIFICATIONS

GENERAL

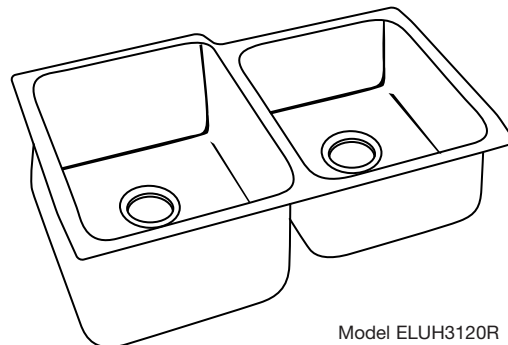
Highest quality sink seamlessly drawn of #18 gauge, type 304 (18-8) nickel bearing stainless steel. Underside of sink is fully protected by heavy duty Sound Guard™ undercoating. Designed to accept waste disposer.

DESIGN FEATURES

Bowl Depths: 9-7/8" (Large Bowl), 7-7/8" (Small Bowl).
 Finish: Exposed surfaces are hand blended to a lustrous highlighted satin finish.
 Underside: Underside of sink is fully protected by heavy duty Sound Guard™ undercoating to prevent condensation and deaden sound.

OTHER

Drain Opening: 3-1/2". (Drains not included.)
 Note: All Elkay custom design undermount sinks are designed to affix easily to the underside of any solid surface countertop.



Model ELUH3120R

OPTIONAL ACCESSORIES

Rinsing Baskets: LKRB1611, LKRB1614, VB1816 and LKERBSS.
 Bottom Grids: LKOBG1613 and LKOBG1814.
 Cutting Boards: CB1613, CB1713, CBC1714, CBT1713, CBT2213, CBR1316, CBR1418, CBS1316 and CBS1418.

These sinks comply with ANSI Standard A112.19.3M.



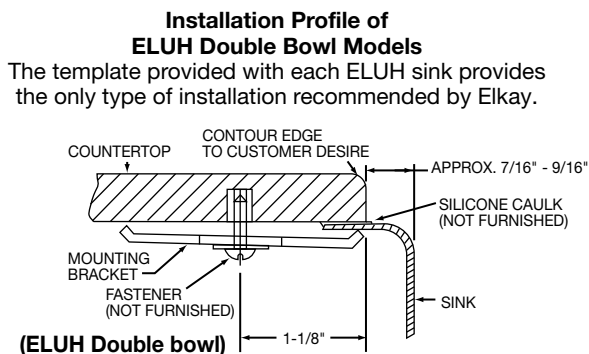
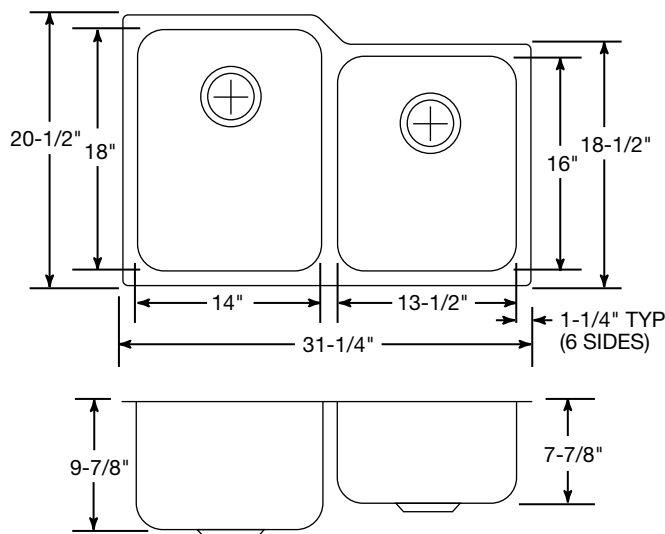
This sink is listed by the International Association of Plumbing and Mechanical Officials as meeting the requirements of the Uniform Plumbing Code.

SINK DIMENSIONS (INCHES)*

Model Number	Overall		Inside Left Bowl			Inside Right Bowl			Cutout in Countertop	Ship. Wt. Lbs.
	L	W	L	W	D	L	W	D		
ELUH3120R	31 1/4	20 1/2	14	18	9 7/8	13 1/2	16	7 7/8	See Template**	23

*Length is left to right. Width is front to back.

**Template and countertop mounting clips are packed with every sink.



ALL DIMENSIONS IN INCHES, TO CONVERT TO MILLIMETERS MULTIPLY BY 25.4.

In keeping with our policy of continuing product improvement, Elkay reserves the right to change product specifications without notice.

This specification describes an Elkay product with design, quality and functional benefits to the user. When making a comparison of other producers' offerings, be certain these features are not overlooked.

**Lustertone® Undermount Double Bowl Sink
Models ELUH3120L and ELUH3120R**



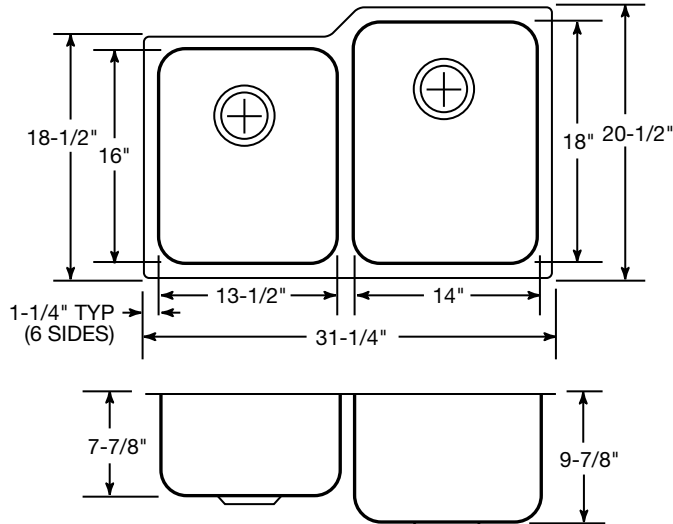
SPECIFICATIONS

SINK DIMENSIONS (INCHES)*

Model Number	Overall		Inside Left Bowl			Inside Right Bowl			Cutout in Countertop See Template**	Ship. Wt. Lbs.
	L	W	L	W	D	L	W	D		
ELUH3120L	31 1/4	20 1/2	13 1/2	16	7 7/8	14	18	9 7/8		23

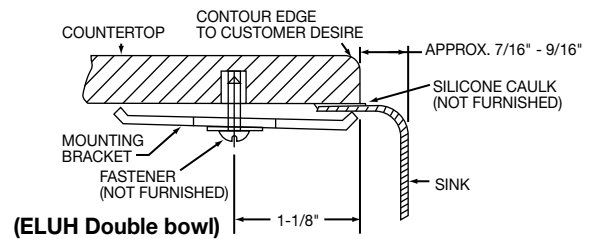
*Length is left to right. Width is front to back.

**Template and countertop mounting clips are packed with every sink.



Model ELUH3120L Illustrated

Installation Profile of ELUH Double Bowl Models
The template provided with each ELUH sink provides the only type of installation recommended by Elkay.



ALL DIMENSIONS IN INCHES. TO CONVERT TO MILLIMETERS MULTIPLY BY 25.4.

In keeping with our policy of continuing product improvement, Elkay reserves the right to change product specifications without notice.

This specification describes an Elkay product with design, quality and functional benefits to the user. When making a comparison of other producers' offerings, be certain these features are not overlooked.