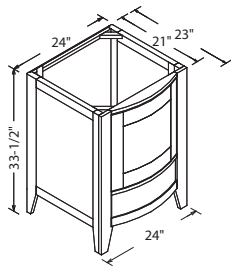


# COLLAGE

The bow front design comes from traditional forms, but here is a decidedly contemporary look. Done in the modern “Espresso” color, the vanity and companion pieces are set off by the open faced cup handle hardware, custom designed of course. The tapered legs give stature to the pieces. The tilt mirror above the vanity lets owners of every height see perfectly.



# COLLAGE



Items included:

- 24" Vanity-hinge right
- 24" Vanity-hinge left
- 30" Vanity
- 36" Vanity
- 24" Frame Mirror
- 30" Tilt Mirror
- 24" Linen Tower-hinge right
- 24" Linen Tower-hinge left

Granite or Marble Vanity top- Ogee edge

Specs:

Material: Poplar solids, cherry veneers

Finish: Espresso finish

Side Panels: 3/4" marine grade MDF

Drawer Glides: full extension ball bearing glides

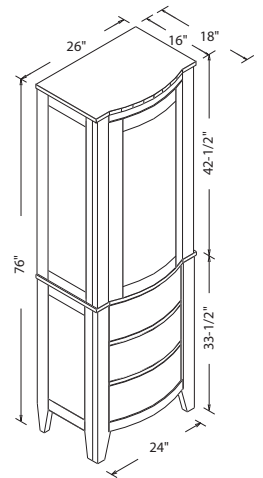
Drawer Box: 1/2" solids, four sided English dovetail

Hinges: Fully concealed, self closing

Hardware: Satin nickel finish

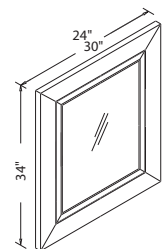
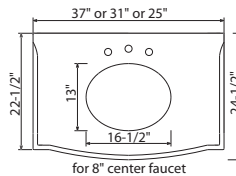
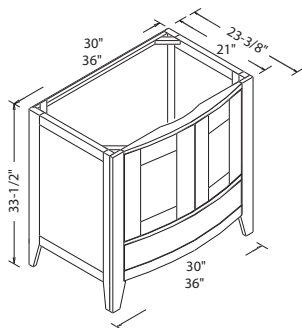
Decorated Hardware: included

Vanity top: Black absolute granite or white carrera marble



Collage Vanity			
Item Number	Doors	Drawers	Hinges
157-V24R	1	1	Right
157-V24L	1	1	Left

Collage Linen Tower				
Item Number	Doors	Drawers	Shelves	Hinges
157-LT24R	1	3	2	right
157-LT24L	1	3	2	left



Collage Vanity			
Item Number	Doors	Drawers	Fit Bowels
157-V30	2	1	1
157-V36	2	1	1

Collage Vanity			
Item Number	Granite/ Marble	Faucet Drilled	Edge
T-15724BA	black absolute	8" spread	Ogee
T-15724WC	white carrera	8" spread	Ogee
T-15730BA	black absolute	8" spread	Ogee
T-15730WC	white carrera	8" spread	Ogee
T-15736BA	black absolute	8" spread	Ogee
T-15736WC	white carrera	8" spread	Ogee

Collage Mirror			
Item Number	Size W x H	Beveled	Style
157-M24	24" x 34"	3/4"	Non tilt
157-M30	30" x 34"	3/4"	Tilt