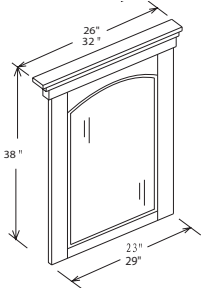




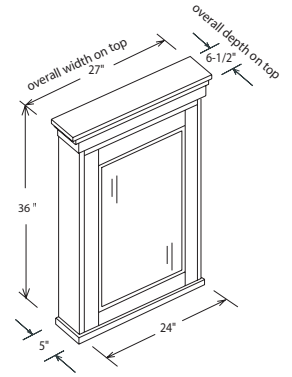
# Shaker II

Items Include:  
 24" Vanity - 30" Vanity - 36" Vanity - 31" Carousel  
 24" Medicine cabinet - 30" Linen Cabinet  
 18" Linen Base - 18" Linen Hutch  
 26" Mirror - 32" Mirror



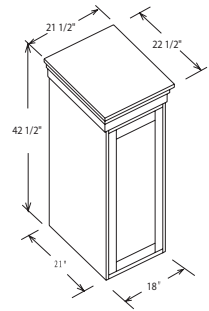
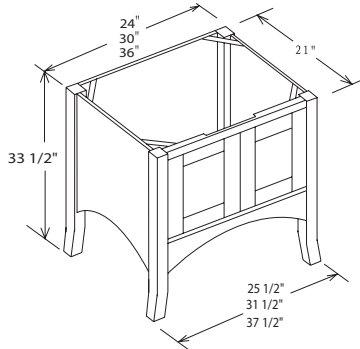
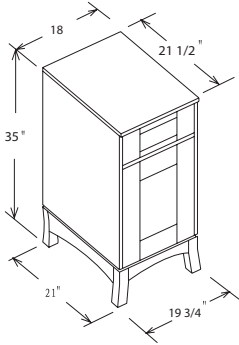
**Specs:**

Materials: alder solids with cherry veneers.  
 Side Panels: 3/4" marine grade MDF.  
 Decorative Hardware : included  
 Drawer Glides: full extension ball bearing glides.  
 Drawer box: 1/2" solids. four sided English dovetail.  
 Hinges: fully concealed, self-closing.



Shaker Mirror	
Item Number	Size W x H
185-06L	26"x38"
185-M32	32"x38"

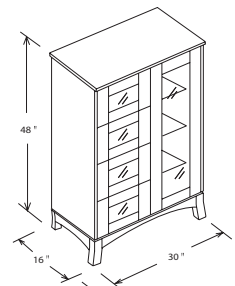
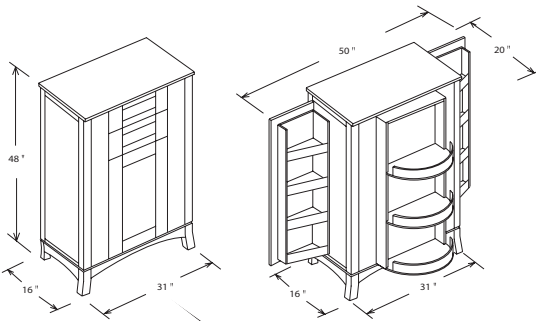
Shaker Medicine Cabinet			
Item Number	Doors	Hinge	Shelves
185-MC24	1	right	3



Shaker II Linen Base			
Item Number	Doors	Drawers	Shelves
185-18B	1	1	1

Shaker II Vanity		
Item Number	Doors	Drawers
185-24	2	0
185-30	2	0
185-36	2	0

Shaker II Linen Hutch			
Item Number	Doors	Drawers	Shelves
185-18HT	1	0	2



Shaker II Carousel			
Item Number	Doors	Size	Shelves
185-CA31	3	31"x16"x48"	11

Opens to 50" width

Shaker II Linen Cabinet			
Item Number	Drawers	Size	Shelves
185-LC30	4	30"x16"x48"	4

glass door and glass drawer front



Fine Bath Furniture

Fine Bath Furniture

www.fairmontdesigns.com