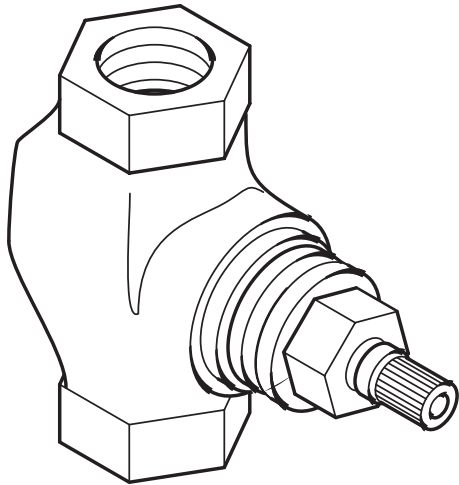


Rough, 1/2" Volume Control Valve

13974181



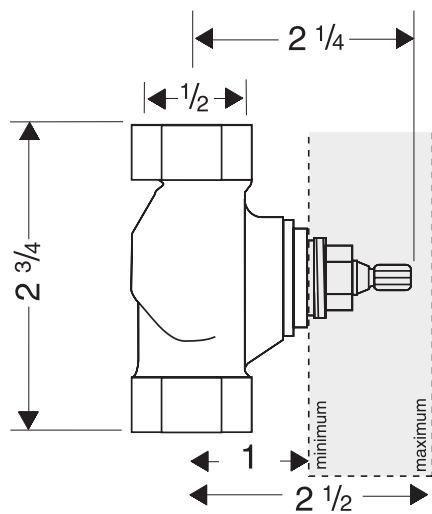
Product Features

- 90° ceramic cartridge
- 10.5 gpm @ 44 psi
- 1/2" NPT female inlet and outlet

Code Compliance

This unit meets or exceeds the following:

- ASME A112.18.1
- CSA B125.1
- Listed by IAPMO
- Approved for use in Massachusetts



Required Accessories

Trim kit – many styles available

Optional Accessories

1/2" Extension (deep rough-in) kit

13978000

Installation Notes

- Not for use with Equilibrium pressure balance valve 13408181

The measurements shown are for reference only.

Products and specifications shown are subject to change without notice.

Specification sheet revised 11/2007