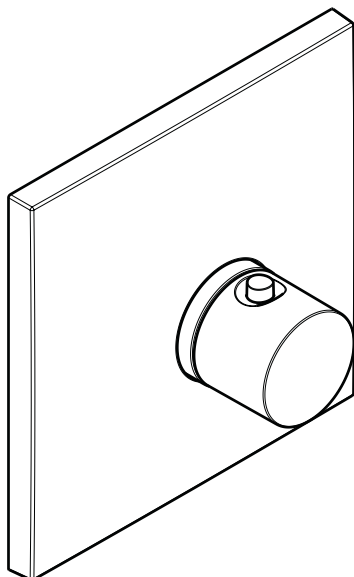


# Axor Massaud Trim, Ecostat Thermostatic Mixer

18743001



## Product Features

- Thermostatic cartridge with service stops
- 100° Safety stop
- High temperature limit stop may be reset to comply with local plumbing codes
- Max. flow rate 13.2 gpm @ 44 psi

## Available Finishes

Chrome 18743001

## Required Accessories

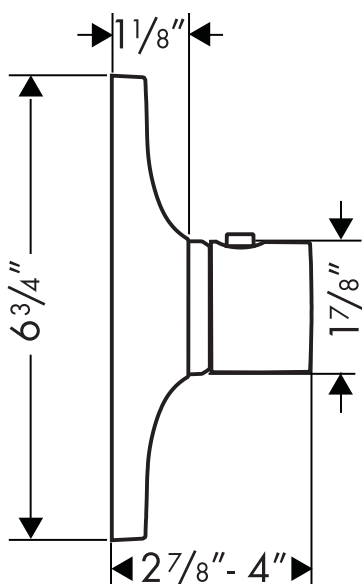
$\frac{3}{4}$ " rough 15374181

or

$\frac{1}{2}$ " rough 15373181

## Optional Accessories

$1\frac{1}{2}$ " Extension (deep rough-in) kit 92615000



The measurements shown are for reference only.

Products and specifications shown are subject to change without notice.

Specification sheet revised 3/2008