

Product Features

- Infrared sensor technology
- Operated by 6 V lithium battery
- Built-in stop for cleaning
- Temperature control lever on side
- 1.6 gpm

Code Compliance

This unit meets or exceeds the following:

- ADA compliant

Available Finishes

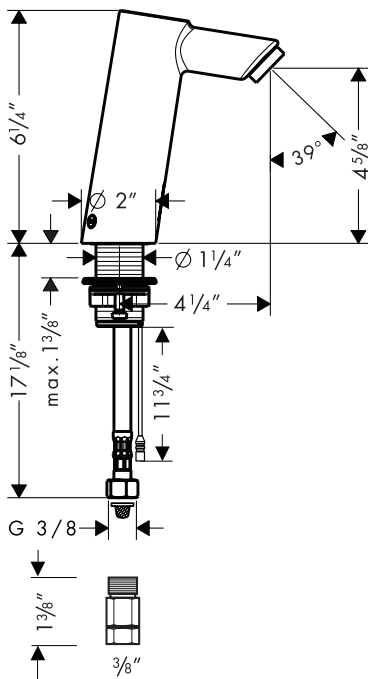
Chrome

32110001

Optional Accessories

Grid drain

06400000



The measurements shown are for reference only.

Products and specifications shown are subject to change without notice.

Specification sheet revised 2/2008