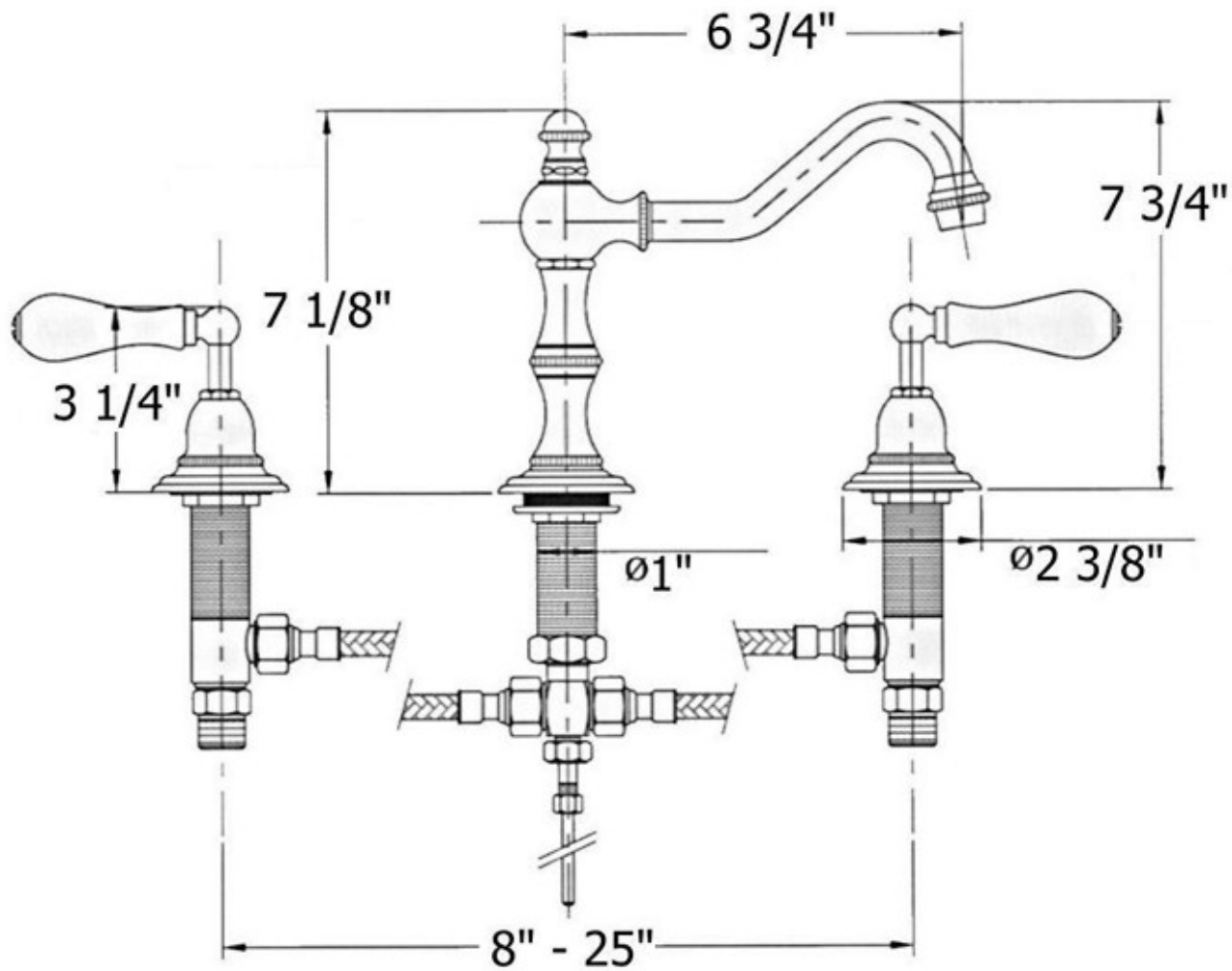


# 3302 - 'Royale' Widespread Lavatory Set



Hole Drilling =  $1 \frac{1}{4}$ "