



Designed with easy access and comfortable bathing in mind, the Finestra™ gives new meaning to independent living. Equipped with Jacuzzi® technology and a variety of safety features, everyone can now enjoy the Jacuzzi® Home Spa Experience.™

FEATURES:

- The first and only air tight magnetic door seal
- Integral seat available in 2 heights – 14" or ADA compliant 17"
- Skirt with panels for easy installation and access
- 600 watt variable speed heated air blower
- Exclusive 360° Balanced Air Flow™ system
- Safety features include a grab bar and slip resistant flooring
- ProO<sub>3</sub>™ Ozone Sanitation System standard

**Finestra™ 6036**  
WALK-IN  
PURE AIR® BATH

MODEL NUMBER:  
EW25 (14" seat-LH)  
EW30 (14" seat-RH)  
EY60 (17" seat-LH)  
EY65 (17" seat-RH)

EXTERIOR DIMENSIONS:  
60" long x 36" wide x  
37½" high

OPERATING GALLONS:  
70-85 gallons





# Finestra™ 6036

## WALK-IN PURE AIR® BATH

<b>EW25</b>	Finestra™ 6036 Walk-In 14" Seat Pure Air Bath, Left Hand
<b>EW30</b>	Finestra™ 6036 Walk-In 14" Seat Pure Air Bath, Right Hand
<b>EY60</b>	Finestra™ 6036 Walk-In 17" Seat Pure Air Bath, Left Hand
<b>EY65</b>	Finestra™ 6036 Walk-In 17" Seat Pure Air Bath, Right Hand

- Left and Right Hand drain locations
- Accessories / Hardware:
  - Drain Kit: #FB48000
  - Remote Drain Kit: #FC30000
  - Pillow: #EK91959
- Trim Kit Finishes Available:
  - (827) – Chrome
  - (829) – Bright Brass
  - (959) – White

### INSTALLATION NOTES

Refer to installation instructions included with fixture before beginning installation. Please confirm product availability and specifications before commencing with any installation work.

PRODUCT SPECIFICATIONS AND AVAILABILITY ARE SUBJECT TO CHANGE WITHOUT NOTICE.

### Technical Specifications

#### DIMENSIONS

60" L x 36" W x 37-1/2" H  
(1524 mm) L x (914 mm) W x (952.5 mm) H

#### DRAIN/OVERFLOW

A: 31-1/2" (800 mm) B: 6-5/8" (168 mm)

#### CUTOUT

NA

#### TOTAL WEIGHT

EW25, EW30: 350 lb. (159 kg)  
EY60, EY65: 350 lb. (159 kg)

#### OPERATING GALLONAGE

Max: 85 U.S. Gal. (322 liters)  
Min: 70 U.S. Gal. (265 liters)

#### PRODUCT WEIGHT

EW25, EW30: 300 lb. (136 kg)  
EY60, EY65: 300 lb. (136 kg)

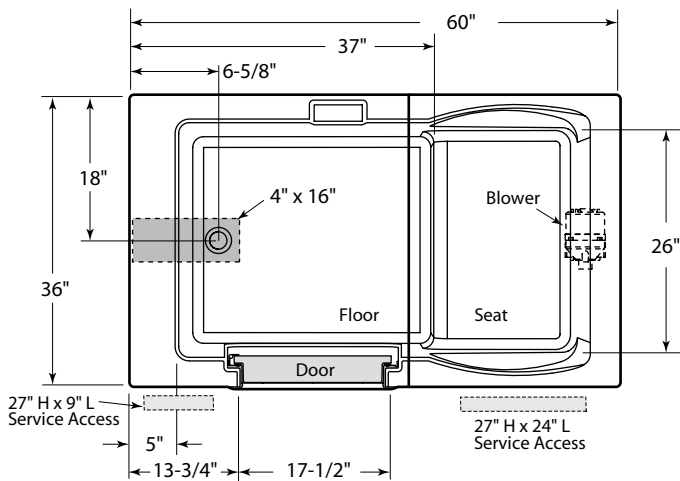
#### SKIRT MOUNTING

NA

#### ELECTRICAL SPECIFICATIONS

**Requires a dedicated GFCI protected separate circuit.**

Blower: 115 VAC, 15 AMP, 60 Hz.



### Finestra™ 6036 Walk-In 14" Seat Pure Air Bath Left Hand (EW25) shown.

\* Measurements inside unit represent cutout in floor to allow for drain/overflow.

Minimum service access dimensions given.

