



Bathing has never been like this before. Incorporating exotic woods, acrylic and state-of-the art bathing technologies, the Fuzion™ combines everything you need to create your ideal spa experience.

**FEATURES:**

- Multi-speed motor
- 4 fully adjustable TheraPro® jets
- 11 directionally adjustable AccuPro™ jets
- 256-color Chromatherapy lighting system
- Water level sensors
- Sculpted armrest and contoured backrest with pillows
- All-in-one electronic control panel
- Infinity-edge drain system
- RapidHeat™ inline heater
- Undermount or choose Wenge or Teak wooden deck
- ProO<sub>3</sub>™ Ozone Sanitation System standard

**Fuzion™ 6666  
WHIRLPOOL BATH  
UNDERMOUNT with  
CHROMATHERAPY**

**MODEL NUMBER:**  
EH30 (Left Hand)  
EH00 (Right Hand)

**EXTERIOR DIMENSIONS:**  
66" long x 66" wide x  
21½" high

**# OF JETS/TYPE OF JETS:**  
4 TheraPro™  
11 AccuPro™ Jets

**OPERATING GALLONS:**  
150 gallons

**Fuzion™ 6666  
WHIRLPOOL BATH  
UNDERMOUNT with  
ILLUMATHERAPY™**

**MODEL NUMBER:**  
EH45 (Left Hand)  
EH15 (Right Hand)

**EXTERIOR DIMENSIONS:**  
66" long x 66" wide x  
21½" high

**# OF JETS/TYPE OF JETS:**  
4 TheraPro™  
11 AccuPro™ Jets

**OPERATING GALLONS:**  
150 gallons





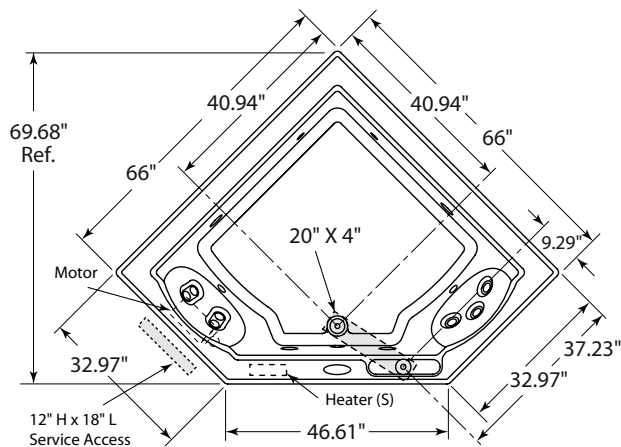
## Fuzion™ 6666 WHIRLPOOL BATH UM with CHROMATHERAPY

<b>EH30</b>	Fuzion™ 6666 – Left Hand Motor
<b>EH00</b>	Fuzion™ 6666 – Right Hand Motor

## Fuzion™ 6666 WHIRLPOOL BATH UM with ILLUMATHERAPY™

<b>EH45</b>	Fuzion™ 6666 – Left Hand Motor
<b>EH15</b>	Fuzion™ 6666 – Right Hand Motor

- Center Drain Location
- Overflow fitting comes with tub
- Accessories / Hardware:
  - TheraPro™ Jet Rings Kit: #D095
- Trim Kit Finishes Available:
  - (827) – Chrome
  - (898) – Brushed Chrome
  - (815) – Satin Nickel
  - (829) – Bright Brass
  - (805) – Platinum
  - (826) – Brushed Nickel
  - (845) – Oil Rubbed Bronze



**Product Shown: Fuzion™ 6666 Whirlpool Bath Undermount with Illumatherapy, Left Hand Motor—Model: EH45**

\* Measurements inside unit represent cutout in floor to allow for drain/overflow.

Minimum Service Access dimensions given.

### INSTALLATION NOTES

Refer to installation instructions included with fixture before beginning installation. Please confirm product availability and specifications before commencing with any installation work.

PRODUCT SPECIFICATIONS AND AVAILABILITY ARE SUBJECT TO CHANGE WITHOUT NOTICE.

### Technical Specifications

#### DIMENSIONS

66" L x 66" W x 21 1/2" H  
(1676 ) mm L x (1676 ) mm W x (546) mm H

#### DRAIN/OVERFLOW

A: 16 13/16" (427 mm) B: 12 1/8" (308 mm)

#### CUTOUT

Template provided. PN: DD43000

#### OPTIONAL DIY FRAME (DO-IT-YOURSELF FRAME)

Drawing provided. PN: DE55000\*

(\*Drawing comes with tub. Additional copies can be requested.)

#### TOTAL WEIGHT

1585 lbs.

#### OPERATING GALLONAGE

150 lbs.

#### PRODUCT WEIGHT

385 lbs.

#### SKIRT MOUNTING

Not Available

#### ELECTRICAL SPECIFICATIONS

Requires a dedicated GFCI protected separate circuit.

Motor/Pump: 120 VAC, 20 AMP, 60 Hz.

RapidHeat™: 120 VAC, 15 AMP, 60 Hz.

#### HEATER (STANDARD)

Requires a dedicated GFCI protected separate circuit.

RapidHeat™: P/N S750000

#### Faucet Installation Note:

Selecting a faucet for rim mounting: The combined thickness of the tub shell is 1/2" (12, 7 mm) nominal and the undermount deck should not exceed the length of the faucet tailpiece(s) including any assembly hardware.

