

# capella® 55 corner whirlpool bath and soaking bath with integral skirt

to the Italians, "la capella"—the chapel—is a sacred place. step into our capella® whirlpool, and you'll understand.



The Capella's® unique corner configuration allows for roomy relaxation.

#### features:

- Sculpted armrest
- Contoured backrest
- 4 Fully adjustable TheraPro™ jets with max flow rate of 30 GPM per jet
- 2 AccuPro™ foot jets
- 1 Directionally adjustable AccuPro™ lumbar jet
- Exclusive Tru-Level™ base system
- Slip-resistant bottom
- Patented Silent Air™ Induction system
- Drain included on whirlpool baths

#### capella® 55 whirlpool bath (with integral skirt)

model number: **K717**

exterior dimensions:  
**55" long x 55" wide x 20¼" high**

interior dimensions:  
**44" long x 32" wide x 28" wide**

# of Jets/type of Jets:  
**4 TheraPro™ Jets,  
2 AccuPro™ Foot Jets,  
1 AccuPro™ Lumbar Jet**

operating gallons:  
**54 gallons**

#### capella® 55 soaking bath (with integral skirt)

model number: **K723**

exterior dimensions:  
**55" long x 55" wide x 20¼" high**

interior dimensions:  
**44" long x 32" wide**





# Capella® 55 Corner Whirlpool Bath w/Integral Skirt

Model: K717

# Capella® 55 Corner Bath w/Integral Skirt

Model: K723

## Ordering Information

Product Code:

K717 Capella® 55 Corner Whirlpool Bath w/Integral Skirt Right Hand

K723 Capella® 55 Corner Bath w/Integral Skirt

- Center Drain Location
- Accessories / Hardware:
  - Trip-Lever Drain Kit: #X559
  - Rotary Drain Kit, 26" Cable: #8730
  - Trim Kit: 4 X HTC Jet Rings #D095
  - Trim Kit: 2 X BMH Jet Rings #J869
- Trim Kit Finishes Available:
  - (827) - Chrome
  - (898) - Brushed Chrome
  - (815) - Satin Nickel
  - (829) - Bright Brass
  - (805) - Platinum
  - (826) - Brushed Nickel
  - (845) - Oil Rubbed Bronze

## Installation Notes

Refer to installation instructions included with fixture before beginning installation. Please confirm product availability and specifications before commencing with any installation work.

PRODUCT SPECIFICATIONS AND AVAILABILITY ARE SUBJECT TO CHANGE WITHOUT NOTICE.

Electrical Components and Electrical Specifications do not apply to non-jetted baths.

## Technical Specifications

### Dimensions

55" L x 55" L x 20-1/2" H  
(1397 mm) L x (1397 mm) L x (521 mm) H

### Drain/Overflow

A: 18" (457 mm) B: 12-1/8" (308 mm)

### Cutout

Not Applicable

### Total Weight

K717: 1025 lb (465 kg) / 48.8 lb/sq. ft. (22 kg/m<sup>2</sup>)  
K723: 808 lb (367 kg) / 39 lb/sq. ft. (18 kg/m<sup>2</sup>)

### Operating Gallonage

54 U.S. Gal. (204 Liters),  
Min. 35 U.S. Gal. (132 Liters)  
Max. 72 U.S. Gal. (273 Liters)

### Product Weight

K717: 125 lb (57 kg)  
K723: 100 lb (45 kg)

### Skirt Mounting

Integral

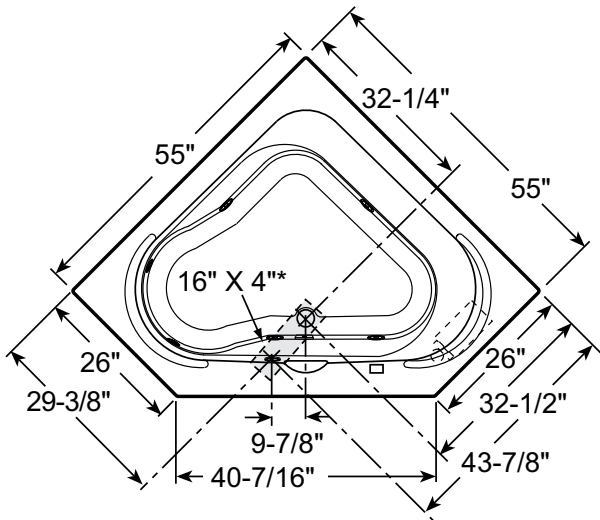
### Electrical Specifications Model K717 only

Requires a dedicated GFCI protected separate circuit.

Motor/Pump: 120 VAC, 15 AMP, 60 Hz.

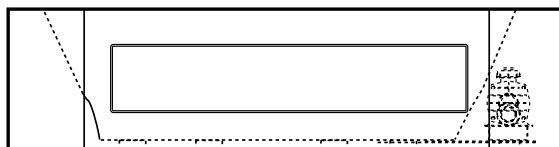
### Heater

Not available

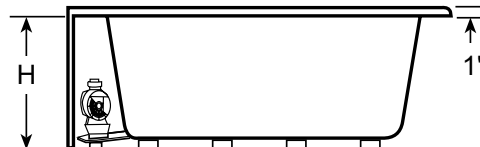


Product Shown: Capella® 55 Corner Whirlpool Bath with Integral Skirt Model: K717

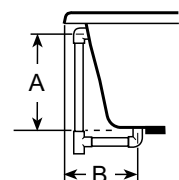
\* Measurements inside unit represent cutout in floor to allow for drain/overflow.



FRONT VIEW



SIDE VIEW



DRAIN/OVERFLOW