

capella® 60 corner whirlpool bath and soaking bath

to the Italians, "la capella"—the chapel—is a sacred place. step into our capella® whirlpool, and you'll understand.



The Capella's® unique corner configuration allows for roomy relaxation.

whirlpool bath features:

- 4 fully adjustable TheraPro™ jets
- 3 directionally adjustable AccuPro™ jets
- Electronic on/off controls
- Patented Fixed Air Flow System
- Sculpted armrest and contoured backrest
- Exclusive Tru-Level™ self-leveling base system
- Drain included on whirlpool baths

capella® 60 corner whirlpool bath

model number: **F934 – RH, G775 – LH**

exterior dimensions:
60" long x 60" wide x 20½" high

interior dimensions:
50" long x 34" wide(mid) x 18" wide(end)

of Jets/type of Jets:
**4 TheraPro™ Jets,
3 AccuPro™ Foot Jets,**

operating gallons:
60 gallons

capella® 60 corner soaking bath

model number: **F933**

exterior dimensions:
60" long x 60" wide x 20 ½" high

interior dimensions:
50" long x 34" wide (mid)





Capella® 60 Whirlpool Bath

Model: F934, G775

Capella® 60 Bath

Model: F933

Ordering Information

Product Code:

F933 Capella®60 Bath

F934 Capella® 60 Whirlpool Bath
Right Hand

G775 Capella®60 Whirlpool Bath
Left Hand

- Center Drain Location

- Accessories / Hardware:

Trip-Lever Drain Kit: #X559

Rotary Drain Kit, 26" Cable: #8730

TheraPro™ Jet Rings Kit #D095

AccuPro™ Jet Rings Kit #P556

- Trim Kit Finishes Available:

(827) - Chrome

(898) - Brushed Chrome

(815) - Satin Nickel

(829) - Bright Brass

(805) - Platinum

(826) - Brushed Nickel

(845) - Oil Rubbed Bronze

Installation Notes

Refer to installation instructions included with fixture before beginning installation. Please confirm product availability and specifications before commencing with any installation work.

PRODUCT SPECIFICATIONS AND AVAILABILITY ARE SUBJECT TO CHANGE WITHOUT NOTICE.

Electrical Components and Electrical Specifications do not apply to non-jetted baths.

Technical Specifications

Dimensions

60" L x 60" L x 20-1/2" H
(1524 mm) L x (1524 mm) L x (521 mm) H

Drain/Overflow

A: 18" (457 mm) B: 12-1/8" (308 mm)

Cutout

See below

Total Weight

G775, F934: 870 lb (395 kg) / 35 lb/sq. ft. (170 kg/m²)

F933: 845 lb (383 kg) / 34 lb/sq. ft. (165 kg/m²)

Operating Gallonage

60 U.S. Gal. (227 Liters).

Max. 90 U.S. Gal. (341 Liters)

Product Weight

G775, F934: 120 lb (54 kg)

F933: 95 lb (43 kg)

Skirt Mounting

Not Available

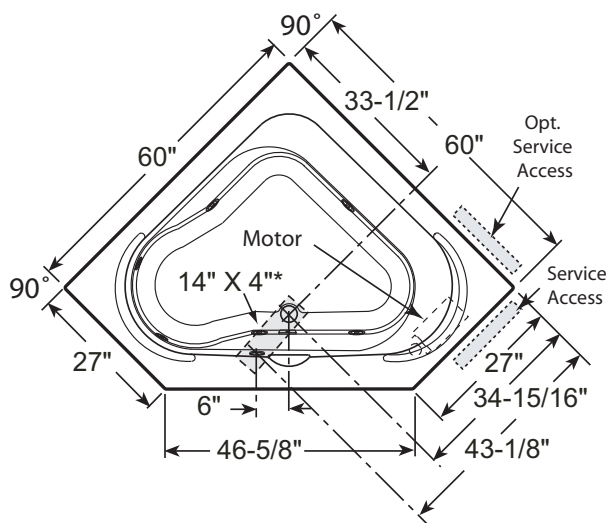
Electrical Specifications Models F934 & G775 only

Requires a dedicated GFCI protected separate circuit.

Motor/Pump: 120 VAC, 15 AMP, 60 Hz.

Heater

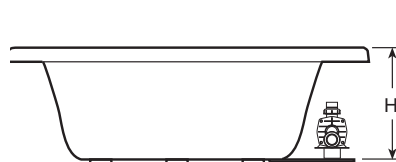
Not Available



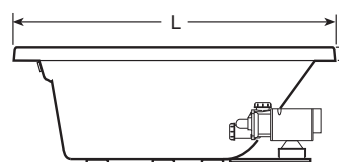
Product Shown: Capella® 60 Corner Whirlpool Bath Model: F934

* Measurements inside unit represent cutout in floor to allow for drain/overflow.

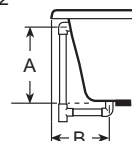
Minimum Service Access dimensions given.



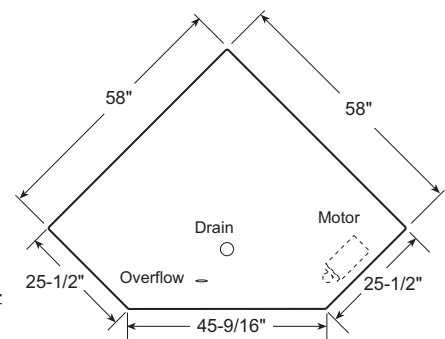
SIDE VIEW



END VIEW



DRAIN/OVERFLOW



Capella Cutout