

Product Specifications:

Cetra Whirlpool Bath with  
Integral Skirt

Model: #H526 - RH

#H525 - LH



## Cetra™ Whirlpool Bath

### DIMENSIONS

Outer: 60"L x 32"W x 20 1/2"

Inner (at bottom):

37"L x 18"W(mid)/17"W(end)

Right and Left Hand Drain Location

Right and Left Hand Pump Location

Water Capacity: 46 Gallons

### FEATURES

- Four Fully Adjustable PowerPro® jets with a maximum flow rate of 45 GPM per jet.
- 2 Lumbar Jets
- Exclusive Tru-Level base offers a self-leveling base system specifically designed to provide superior structural integrity and easy installation.
- Built In Tiling Flange
- Integral SKirt
- Matches the Donnieli and Paolo China Suites
- Available in all Jacuzzi® standard and high fashion colors



### **BENEFITS**

#### ***Superior PowerPro® Jets – The Jacuzzi® Difference***

- Hydrotherapy Jets
- Create a broad, circular pattern of bubbles that caress the entire body
- Move more air and water through bigger jets
- The broadest and quietest hydrotherapy action in the industry

#### ***Distinctive Design – The GENUINE Brand***

- Made of continuous cast acrylic reinforced fiberglass for a well-designed, easy to care for product
- Exclusive Tru-Level base system designed to give superior structural integrity, while providing easy installation
- Product sustains a lustrous shine

#### ***Quality Standards and Service – It's Second Nature at Jacuzzi®***

- Dependable, quality product
- Every major component is designed and manufactured in house for optimal reliability
- All products are factory tested and meet UL/IAPMO standards
- All products are backed by a nationwide network of service agents and full-service customer support team

Visit our website at [www.jacuzzi.com](http://www.jacuzzi.com) for additional product selections



**BUILDER COLLECTION**

# Cetra™ Whirlpool Bath

## Ordering Information

- Product Code:

H526 - RH

H525 - LH

Right and Left Hand Drain Location  
Right and Left Hand Pump Location

Accessories / Hardware:

HTC Jet Trim Kit: #D095

BMH Jet Trim Kit: #J869

Trim Finishes Available:

(827) – Chrome (898) – Brushed Chrome

(828) – Gold (829) – Bright Brass

## Product Information

Dimensions	Drain/Overflow Dimensions	Cutout	Total Weight Floor Loading	Operating Gallage	Product Weight	Skirt Mounting
60" (1524mm) L 32" (813mm) W 20 1/2" (521mm) H	17 7/8" (454mm) A 9 3/8" (238mm) B	N/A	719 lb. (326kg) 54 lb./sq. ft. (263kg/sq. m.)	46 U.S. Gal. (174 litres)	94 lb. (43kg)	Integral

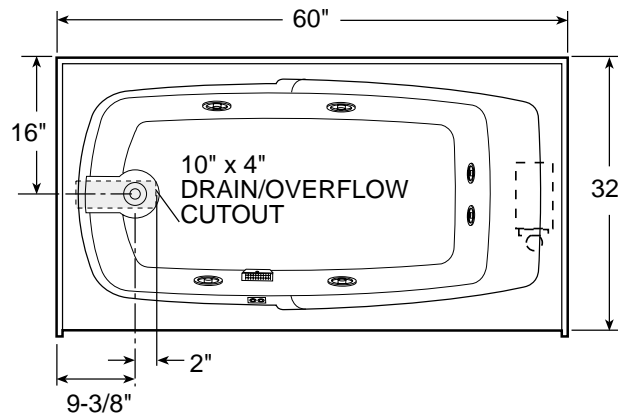
## Required Electrical Service

- 115 VAC, 15 AMP, 60 Hz. Requires Dedicated Separate Circuit

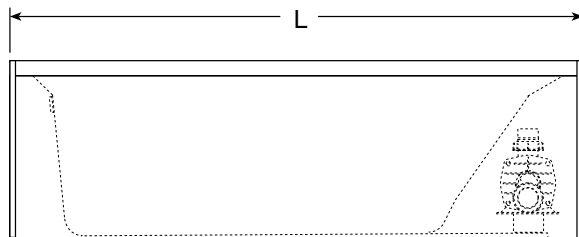
- Whirlpool Motor Pump: 115VAC, 3450 RPM/10AMP, 60 Hz. Single Phase

## Installation Notes

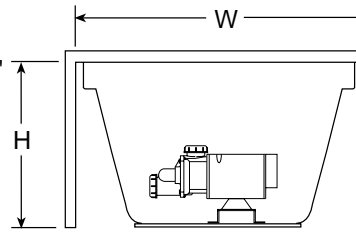
Refer to installation instructions included with bathing fixture before beginning installation.



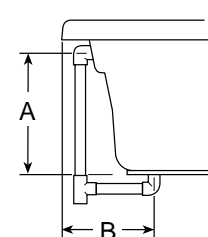
TOP VIEW



SIDE VIEW



END VIEW



DRAIN/OVERFLOW

Visit our website at [www.jacuzzi.com](http://www.jacuzzi.com) for additional product selections