

Product Specifications:

Gallery 5 Oval Whirlpool Bath

Model:

N850 – Gallery 5.0:

Right Hand Drain, Left Hand

Pump Location

N845 - Gallery 5.0:

Left Hand Drain, Right Hand

Pump Location

Shipping Weight: 116 lbs.

Cubes: 33.3

N865 - Gallery 6.0:

Right Hand Drain, Left Hand

Pump Location

N860 - Gallery 6.0:

Left Hand Drain, Right Hand

Pump Location

Shipping Weight: 129 lbs.

Cubes: 40.1

DIMENSIONS

Outer:

62"L x 43"W x 19"H - Gallery 5.0

72"L x 42"W x 20<sup>1</sup>/<sub>2</sub>"H - Gallery 6.0

Inner (at bottom):

41"L x 26"W(mid)/18"W(end) - Gallery 5.0

50"L x 28"W(mid)/21"W(end) - Gallery 6.0

Right and Left Hand Drain Location

Right and Left Hand Pump Location

Water Capacity: 48 Gallons-Gallery 5

Water Capacity: 62 Gallons-Gallery 6

FEATURES

- 5 Jets: 4 fully adjustable HTC PowerPro® Jets  
1 Lumbar Jet  
\*Gallery 6 has 2 additional foot jets
- Exclusive Tru-Level base offers a self-leveling base system specifically designed to provide superior structural integrity and easy installation.
- Traditional Trim Along Entire Rim of The Unit
- Matches the Gallery China Suite
- Available in all Jacuzzi® standard and high fashion colors



## Gallery 5'-6' Oval™ Whirlpool Bath



### BENEFITS

#### Superior PowerPro® Jets – The Jacuzzi Difference

- Hydrotherapy Jets
- Create a broad, circular pattern of bubbles that caress the entire body
- Move more air and water through bigger jets
- The broadest and quietest hydrotherapy action in the industry

#### Gallery Collection of Products

Renowned for our exquisite attention to detail, the Gallery Collection combines distinctive designs and traditional lines to create a group of products that are aesthetically appealing, structurally sound and economically affordable. Paired with the Gallery Suite any of the Gallery Collection of Products would be a wonderful addition to a Bathroom Suite.

Visit our website at [www.jacuzzi.com](http://www.jacuzzi.com) for additional product selections



**BUILDER COLLECTION**

# Gallery 5'-6' Oval™ Whirlpool Bath

## Ordering Information

- Product Code:

**N850** - Gallery 5.0  
RH Drain, LH Pump Location

**N845** - Gallery 5.0  
LH Drain, RH Pump Location

**N865** - Gallery 6.0  
RH Drain, LH Pump Location

**N860** - Gallery 6.0  
LH Drain, RH Pump Location

Accessories / Hardware:

HTC Jet Trim Kit: #D095

BMH Jet Trim Kit: #J869

Trim Finishes Available:

(827) – Chrome (898) – Brushed Chrome

(829) – Bright Brass

## Product Information

Gallery 5.0 Dimensions	Drain/Overflow Dimensions	Cutout	Total Weight Floor Loading	Operating Gallonage	Product Weight	Skirt Mounting
62" (1575mm) L 43" (1092mm) W 19" (483mm) H	14-3/4" (375mm) A 9-1/2" (241mm) B	Template Provided	788 lb. (357kg) 58 lb/sq. ft. (283 kg/sq. m.)	48 U.S. Gal. (182 litres)	96 lb. (44 kg)	N/A

Gallery 6.0 Dimensions	Drain/Overflow Dimensions	Cutout	Total Weight Floor Loading	Operating Gallonage	Product Weight	Skirt Mounting
72" (1829mm) L 42" (1067mm) W 20 1/2" (521mm) H	16" (406mm) A 11-1/2" (292mm) B	Template Provided	880 lb. (445kg) 52 lb/sq. ft. (254 kg/sq. m.)	62 U.S. Gal. (235 litres)	105 lb. (48 kg)	N/A

## Required Electrical Service

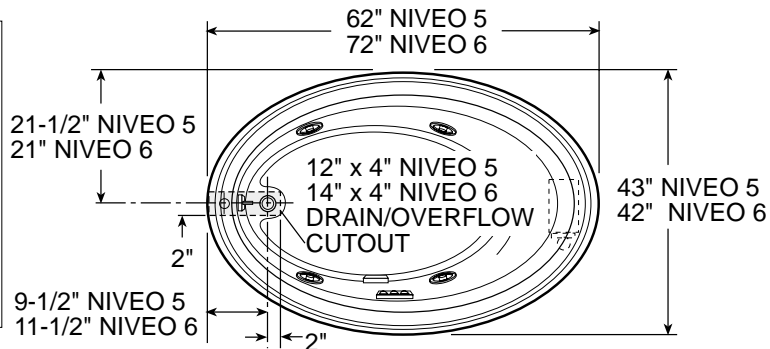
- 115 VAC, 15 AMP. 60 Hz. Requires Dedicated Separate Circuit

- Whirlpool Motor Pump: 115VAC, 3450 RPM/10AMP, 60 Hz. Single Phase

### Installation

#### Notes

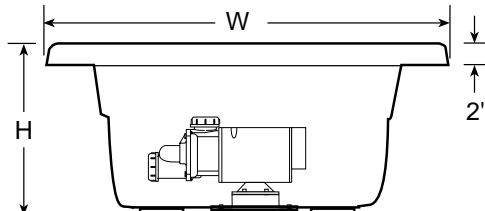
Refer to installation instructions included with bathing fixture before beginning installation.



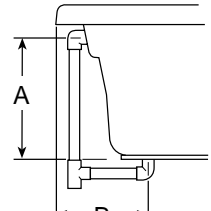
TOP VIEW



SIDE VIEW



END VIEW



DRAIN/OVERFLOW

Visit our website at [www.jacuzzi.com](http://www.jacuzzi.com) for additional product selections