

Product Specifications

Whirlpool Bath and Soaker

Model #:

R230 – Right Hand W/Pool

R235 – Left Hand W/Pool

R240 - Soaker

W/Pool Shipping Weight: 152 lbs.

W/Pool Cubes: 62.3

Soaker Shipping Weight: 110 lbs.

Soaker Cubes: 62.3

DIMENSIONS

Outer: 60"L x 60"W x 22 1/2"H

Inner (at bottom): 45"x 40"

Center Drain Location

Right and Left Hand Pump Locations

Water Capacity: 74 Gallons

FEATURES

- 6 Jets: 4 fully adjustable
  - HTC PowerPro® Jets
  - 2 BMH Lumbar Jet
- Exclusive Tru-Level base offers a self-leveling base system specifically designed to provide superior structural integrity and easy installation
- Classic Corner Unit
- Traditional Trim Along Entire Rim of The Unit
- Matches the Gallery China Suite
- Available in all Jacuzzi® standard and high fashion colors



## Gallery Corner™ Whirlpool



**BENEFITS**

**Superior PowerPro® Jets –  
The Jacuzzi® Difference**

- Hydrotherapy Jets
- Create a broad, circular pattern of bubbles that caress the entire body
- Move more air and water through bigger jets
- The broadest and quietest hydrotherapy action in the industry

**Gallery Collection of Products**

Renowned for our exquisite attention to detail, the Gallery Collection combines distinctive designs and traditional lines to create a group of products that are aesthetically appealing, structurally sound and economically affordable.

Paired with the Gallery Suite, any of the Gallery Collection of Products would be a wonderful addition to a Bathroom Suite.

Visit our website at [www.jacuzzi.com](http://www.jacuzzi.com) for additional product selections



**BUILDER COLLECTION**

# Gallery Corner™ Whirlpool

## Ordering Information

- Product Code:

**R235**      **R230**

Center drain,  
Left Hand Pump  
Location

Center drain,  
Right Hand Pump  
Location

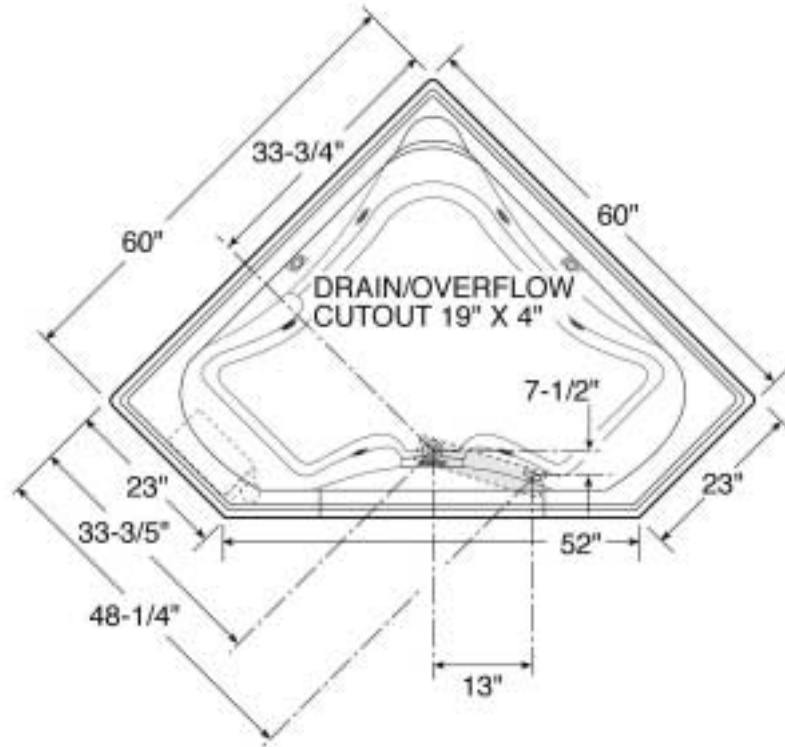
- Accessories / Hardware: HTC Jet Trim Kit: #D095  
BMH Jet Trim Kit: #J689
- Trim Kit Finishes Available: (927) – Chrome  
(898) – Bright Chrome (829) – Bright Brass

## Product Information

Dimensions	Drain/Overflow Dimensions	Total Weight Floor Loading	Operating Gallonage	Product Weight	Skirt Mounting
60" (1397mm) L 60" (1397mm) W 22 1/2" (514mm) H	18 1/8" (445mm) A 12" (305mm) B	1030 lb. (451kg) 44 lb./sq. ft. (215 kg./sq. m.)	74 U.S. Gal (235 liters)	118 lb. (50kg)	Not Available

## Required Electrical Service

- 115 VAC, 15 AMP, 60 Hz. Requires Dedicated Separate Circuit
- Whirlpool Motor Pump: 115 VAC, 3450 RPM/10AMP, 60 Hz. Single Phase



TOP VIEW



SIDE VIEW

Visit our website at [www.jacuzzi.com](http://www.jacuzzi.com) for additional product selections