

Product Specifications:

Fiore Whirlpool Bath

Model: #9110

Model: #G930 w/Rapid Heat Heater



DIMENSIONS

Outer: 66"L x 66"W x 2 71/4"H

Inner (at bottom): 50" x 29"

Center Drain

Right Hand Pump Locations

Water Capacity: 90 Gallon

FEATURES

- 6 Jets: 4 fully adjustable  
HTA PowerPro® Jets  
2 BMH Foot Jets
- Exclusive Tru-Level base offers a self-leveling base system specifically designed to provide superior structural integrity and easy installation.
- Concealed accessory area with vanity mirror, hot and cold valves and hand-held shower
- 2 Water Rainbow fill spouts
- Patented Silent air control system
- Magic Touch on/off control system
- Underwater Light
- Skirt and Built-in Tile Flange
- Matches the Gianni and Sofia China Suites
- Available in all Jacuzzi standard and high fashion colors

## Fiore™ Whirlpool Bath



### BENEFITS

**Superior PowerPro® Jets –  
The Jacuzzi® Difference**

- Hydrotherapy Jets
- Create a broad, circular pattern of bubbles that caress the entire body
- Move more air and water through bigger jets
- The broadest and quietest hydrotherapy action in the industry

**Distinctive Design –  
The GENUINE Brand**

- Made of continuous cast acrylic reinforced fiberglass for a well-designed, easy to care for product
- Exclusive Tru-Level base system designed to give superior structural integrity, while providing easy installation
- Product sustains a lustrous shine

**Quality Standards and Service –  
It's Second Nature at Jacuzzi®**

- Dependable, quality product
- Every major component is designed and manufactured in house for optimal reliability
- All products are factory tested and meet UL/IAPMO standards
- All products are backed by a nationwide network of service agents and full-service customer support team

Visit our website at [www.jacuzzi.com](http://www.jacuzzi.com) for additional product selections



DESIGNER COLLECTION

# Fiore™ Whirlpool Bath

## Ordering Information

- Product Code:

9110

Center Drain, Right Hand Pump Location

G930

Center Drain, Right Hand Pump Location  
w/Rapid Heat Heater

- Accessories / Hardware:  
BMH Jet Trim Kit: #J869 (3) Trim Kits required
- Trim Kit Finishes Available:  
(829) – Bright Brass (959) – White

## Product Information

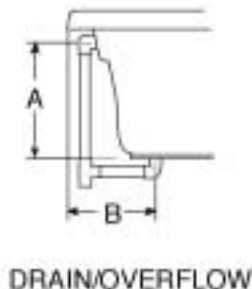
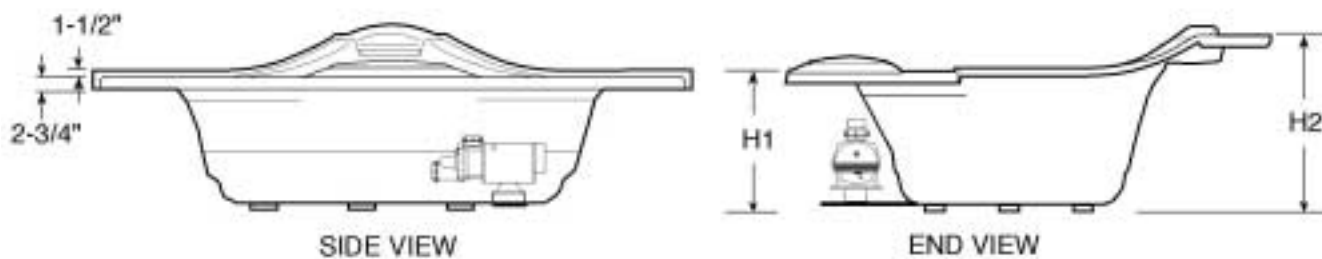
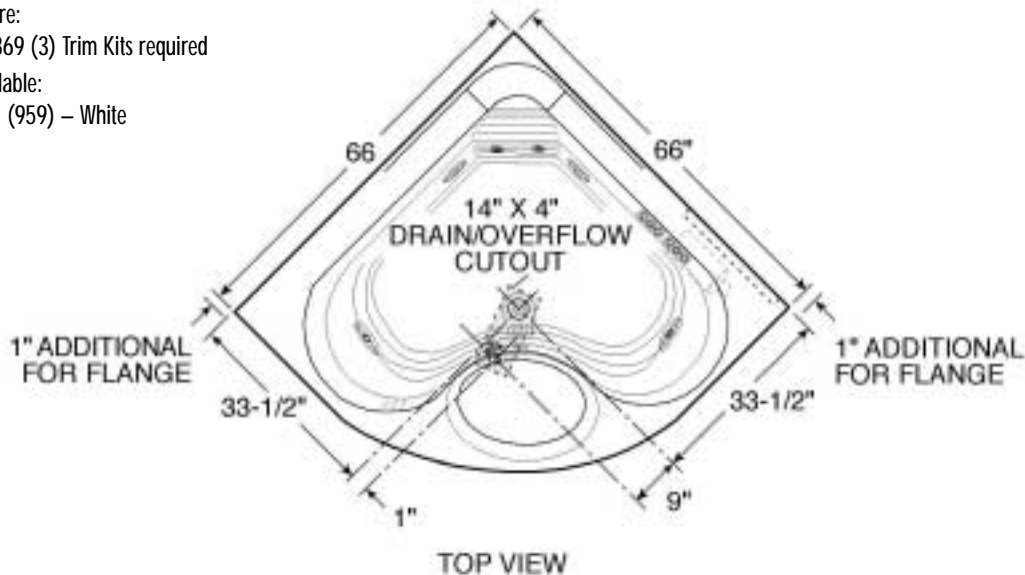
Weight: 390 lbs.

Dimensions: Inside Dim.      Outside Dim.  
51" L x 41" W x 16" H    68" L x 68" W x 21½" H

Capacity  
110 Gallons

## Required Electrical Service

- Whirlpool Motor Pump:  
3.0 HP, 115V, 20 AMP
- Air Blower Pump:  
1.0 HP



### Installation Notes

Refer to installation instructions included with bathing fixture before beginning installation.

Visit our website at [www.jacuzzi.com](http://www.jacuzzi.com) for additional product selections