



Water Rainbow™ Fill Spout/Faucet Kit Installation Instructions

IMPORTANT: Read all instructions before beginning installation. Consult local codes for requirements.

The Water Rainbow fill spout/faucet kit is designed for installation on most Jacuzzi Whirlpool Bath products or on any bath having sufficient rim space for mounting. The installation procedure requires drilling holes in the bath shell, mounting fittings, and making the proper water supply connections to the faucet valves and fill spout. Hole drilling templates and instructions are provided here for this purpose.

Contents of Kit: Water Rainbow fill spout assembly, faucet handles with inserts--hot (red dot) and cold (blue dot), faucet valve assembly (2), 1/4-20 x 1-1/2" hex bolt with/washer and locknut (2), 1-1/2" diameter. push-on speednut (2), faucet handle gasket (2), #10-24 x 3/8" PHPM screw (2), cartridge valve wrench with instructions.

Preparation

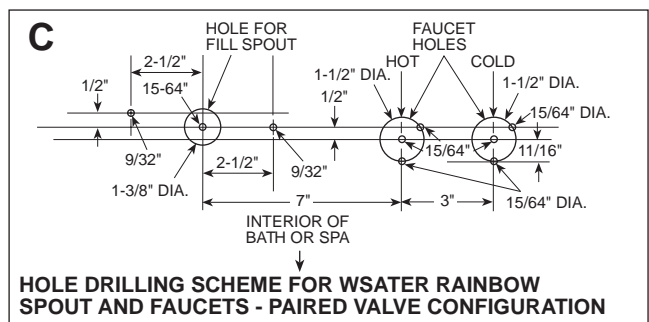
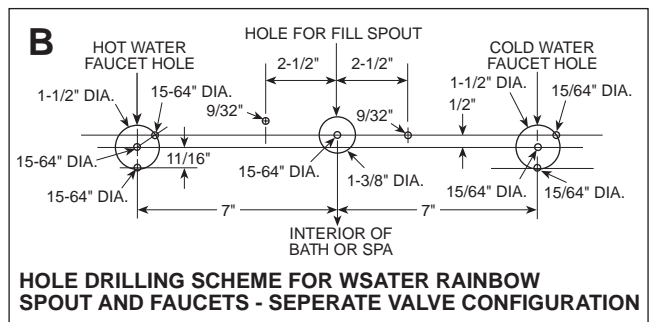
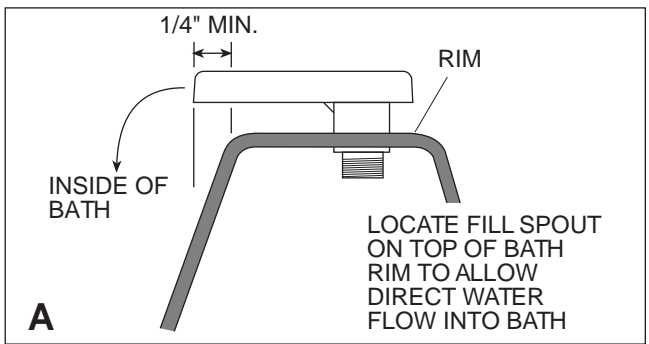
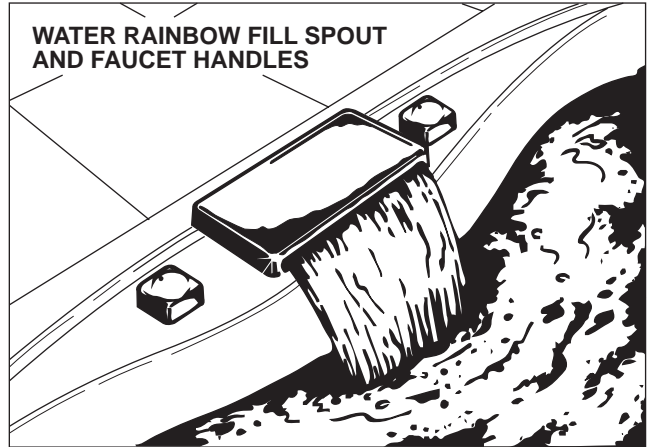
Locate the area on the bath or spa rim where the Water Rainbow and faucet valves are to be installed. For separated valve installations, refer to illustrations B and G; for paired valve installations, refer to illustrations C. and H.

For installation on all baths, locate the Water Rainbow fill spout and valves on a level surface which will allow water to clear the rim and flow directly into the bath (see illustration A). Also be certain the fill spout has easy access and that there is adequate space for plumbing connections to the fill spout, both before and after installation. (Refer to plumbing instructions regarding top access installation, illustration M.)

Dry fit the Water Rainbow fill spout and valves in the desired area (before drilling holes) to be sure the location is appropriate.

Drilling Holes

Detach the templates (the separate page stapled to these instructions) and tape them onto the acrylic surface of the bath rim, locating the center lines of the fill spout and valve holes according to appropriate dimensions given in Illustration B or C.



Using a scribe tool or awl, mark the center points for all holes, then remove the template.

Drill holes from the finished surface side of the unit carefully, being sure they are the proper size. We recommend that you drill pilot holes and then use the recommended drill size. For best results, begin drilling at slow speed, then use high speed. Appropriate sizes of hole saws will be needed for this.

Clean up dust particles using a soft cloth dampened with water or isopropyl alcohol and discard the cloth.

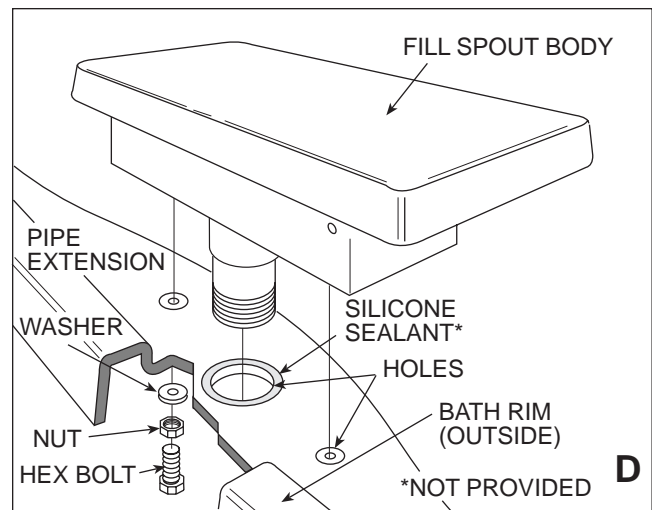
Mounting the Fill Spout

Apply a 3/16" bead of silicone sealant (not provided) on the shell surface around the holes just drilled in the shell. (See illustration D.)

Align the fill spout holes with the holes just drilled and insert the threaded pipe extension through the shell.

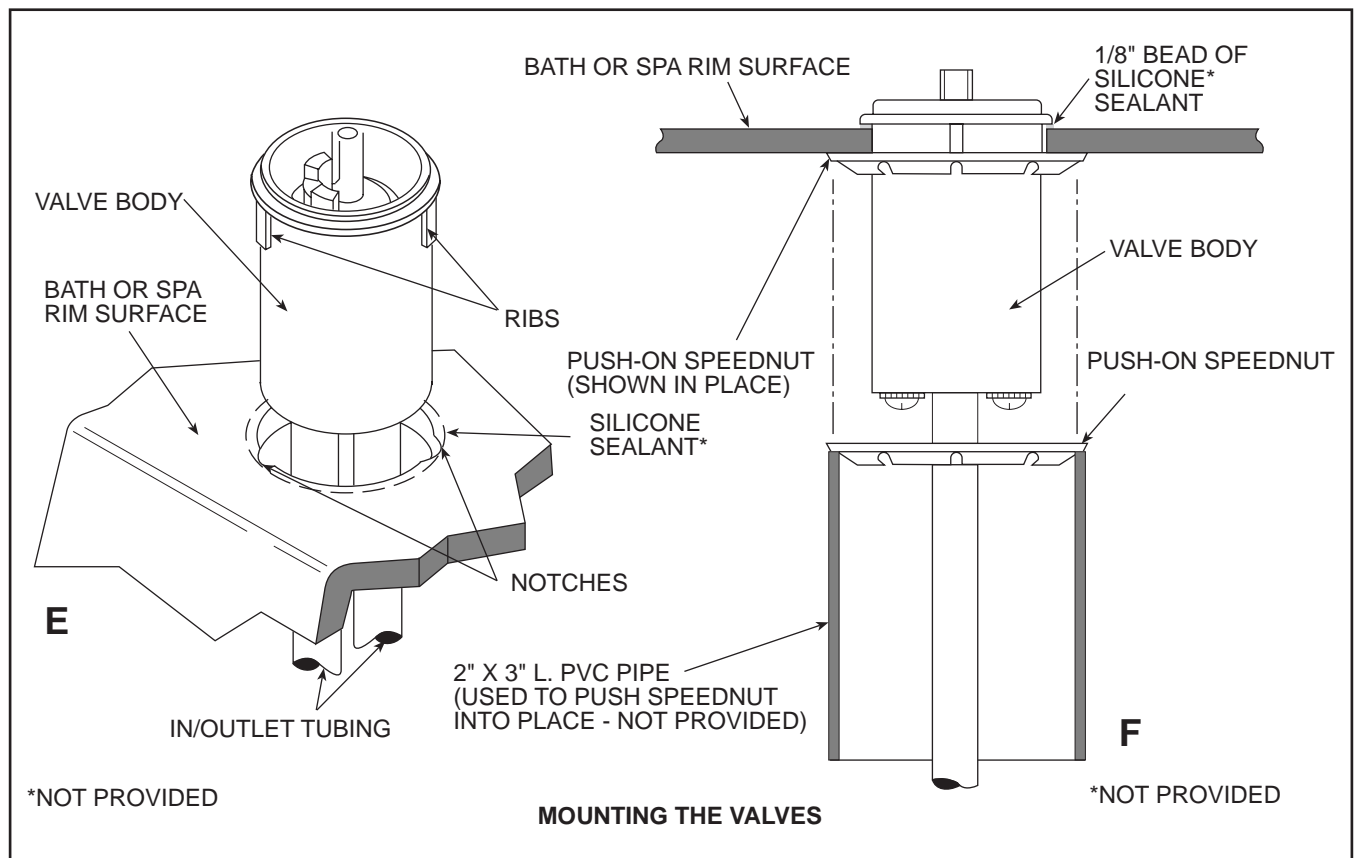
Fully install the 1/4-20 hex nuts onto the 1/4-20 x 1-1/2" hex bolts provided, then install the large flat washer onto the bolts. Insert the bolts through the shell (from under the rim) and into the brass inserts in the fill spout body. Finger tighten the hex nuts against the washer, then tighten until snug using a 7/16" wrench. **Do not over tighten.** Refer to illustration D.

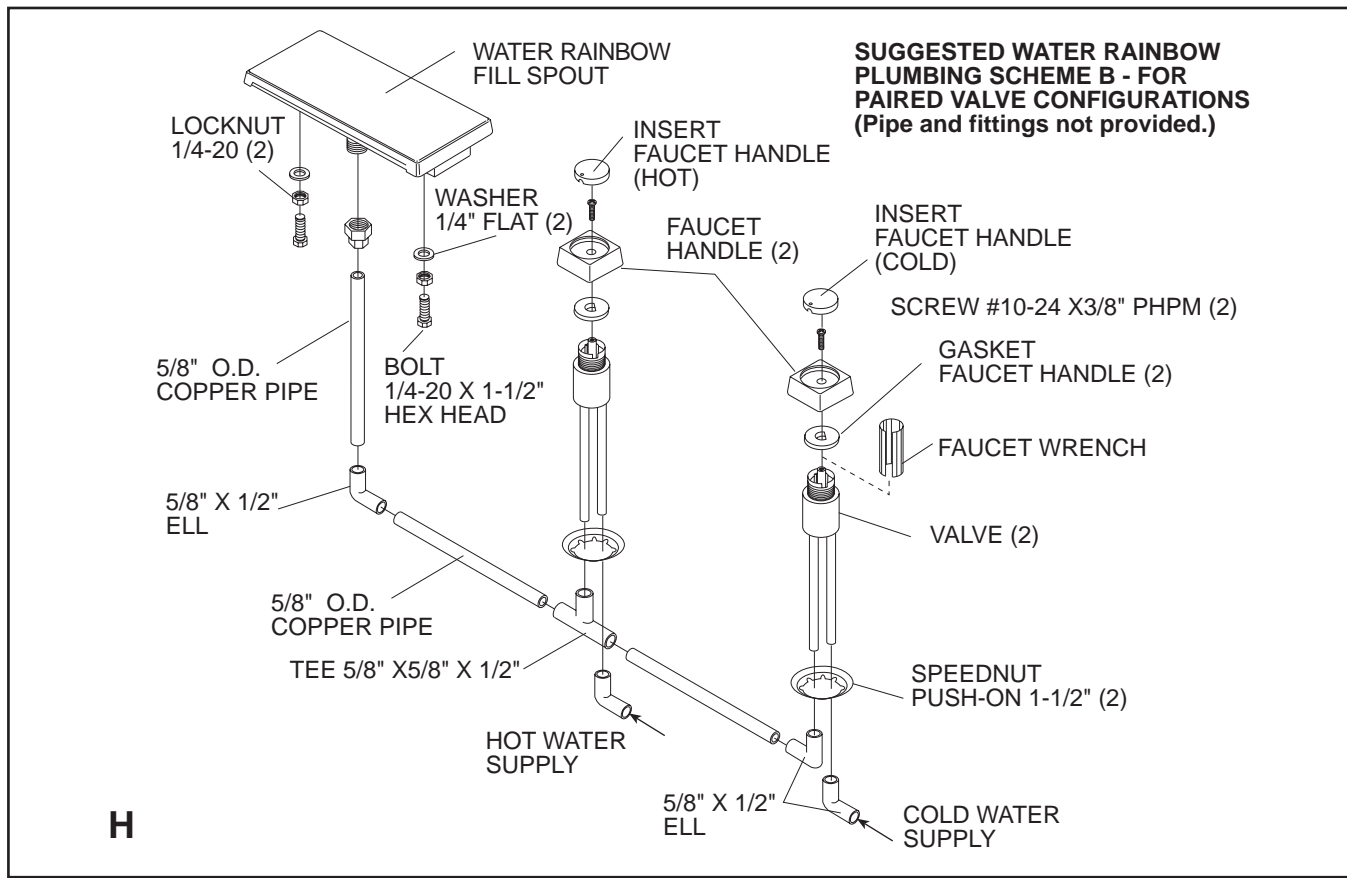
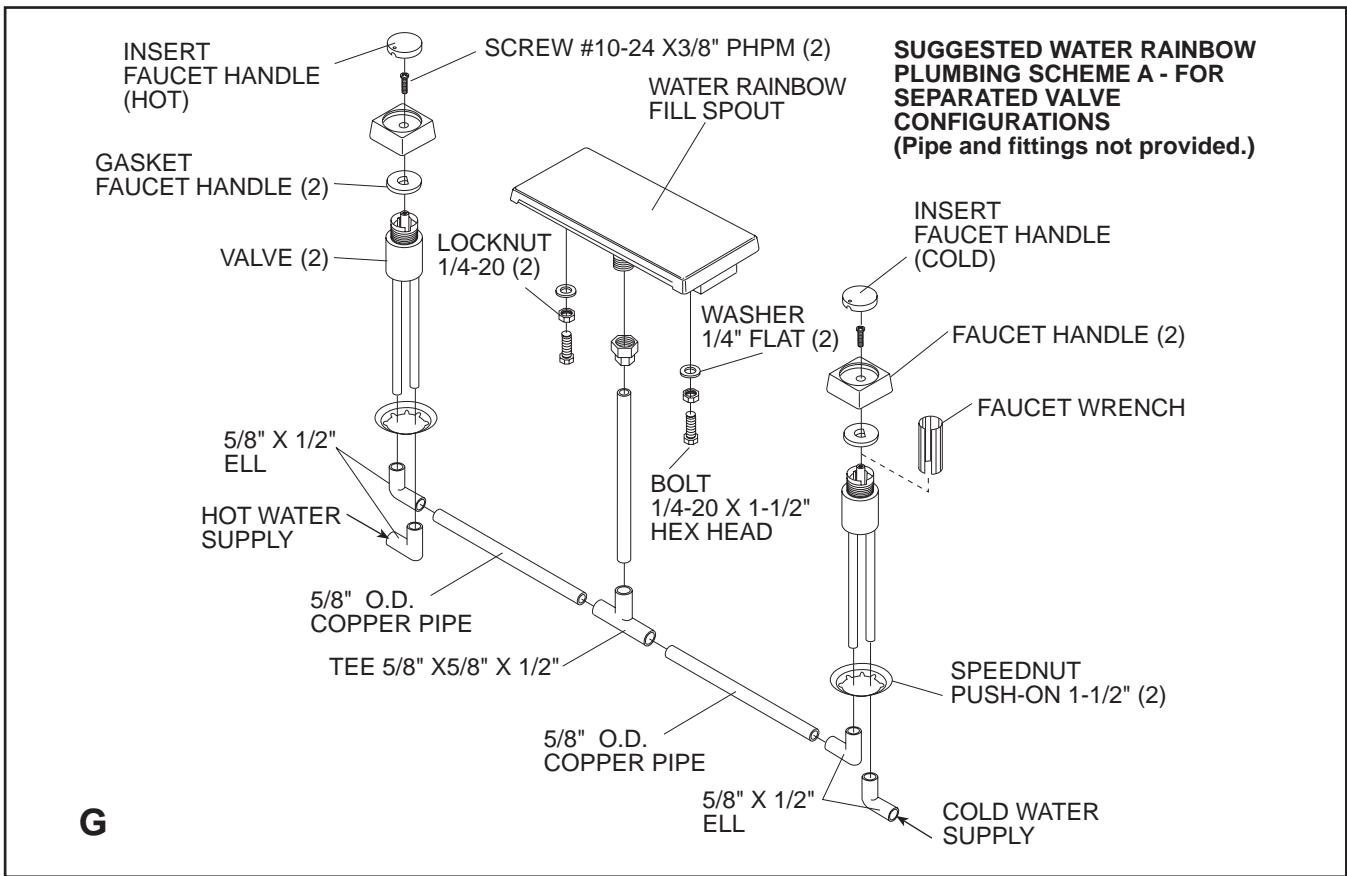
Remove excess sealant using damp cloth.



Mounting the Valves

Apply a 1/8" bead of silicone sealant (not provided) around each hole on the rim surface. Insert each faucet valve assembly through the holes, aligning the ribs on each valve body with the notches in the holes. (See illustration E.) Using a piece of 2" I.D. x 3" L PVC piping (if available), push the speednut over the tubing and onto the valve body (while continuing to hold the valve body at the top) until the speednut is in full contact with the underside of the shell. (See illustration F.)





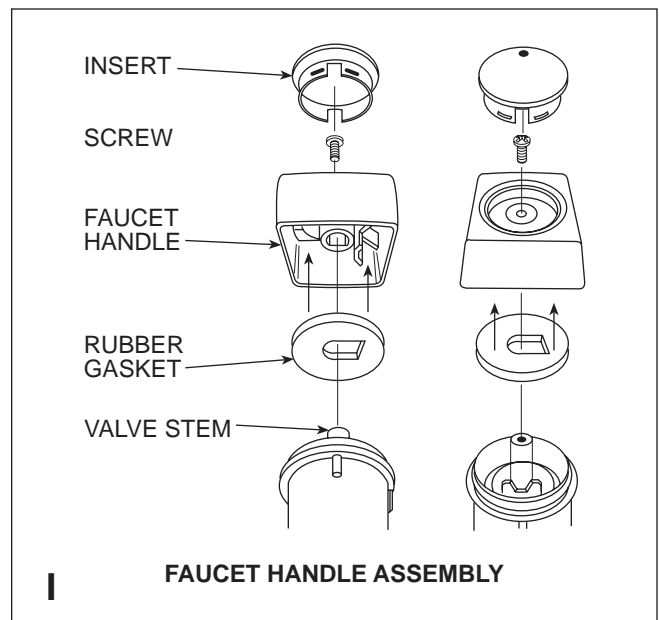
Installing the Faucet Handles

Install the rubber gasket into the faucet handle aligning the flat of the gasket with the projection from the handle, then aligning the flat surface on the stem with the flat inside handle, place the handle onto the stem of the faucet valve.

Insert the #10-24 x 3/8" L stainless steel PHPM screw (provided) through the handle and gasket into the valve stem and tighten.

Rotate handles clockwise to the end of travel.

Push in inserts with dots oriented toward the outer edge of the bath rim, red dot indicating hot water and blue dot indicating cold water. The notch in the insert must align with the ribs on the inside of the handles for flush engagement. (See illustration I.)

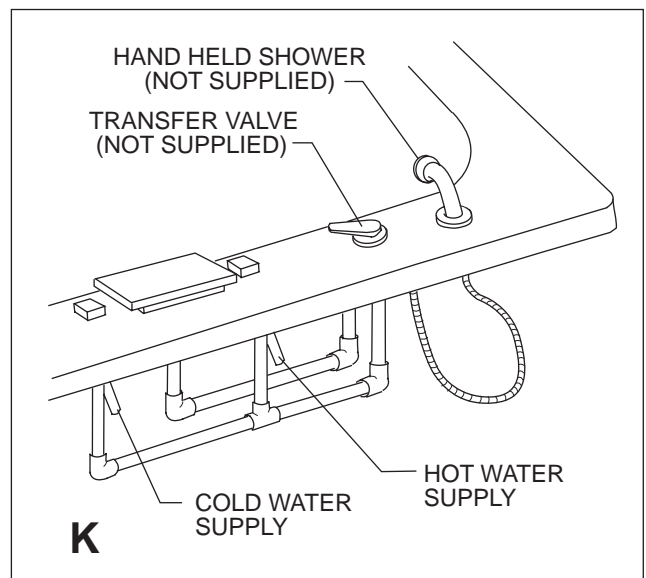
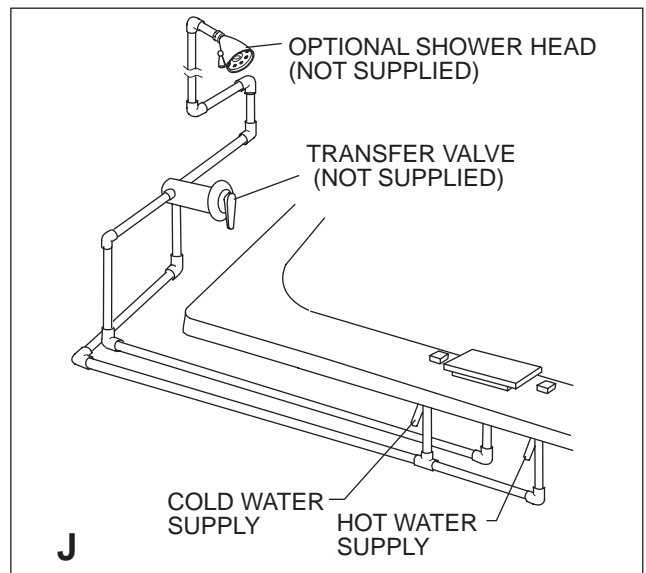


Plumbing Connections

Note: Turn off water at main shut-off valve before making plumbing connections to supply lines.

Connect the water line from the hot and cold valve to the threaded pipe extension of the fill spout per illustration G or H. Use Teflon tape or thread sealant designed for use on plastics. **Do not use oil base thread compounds.** For bath fill spout only applications, refer to the suggested plumbing schemes G for separated valves and H for paired valves. If a rim or wall mounted shower is installed, a transfer or mixer valve will be required. Three variations are shown in illustration J (standard shower), K (rim mounted or hand held), and L (shower with anti-siphon valve if required by code).

If local plumbing codes require the installation of an anti-siphon valve, locate the anti-siphon valve 6" above the rim of the bath in a vertical position over a waterproof surface or fixture to allow for any possible water leakage through the air vent. The valve must be exposed and have access for service.



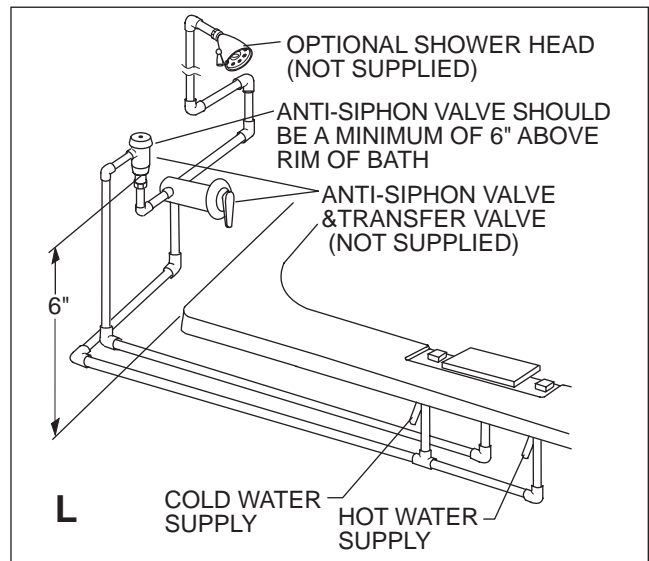
Operation

Check for proper operation of the fill spout. Always fill the bath with a mixture of hot and cold water. Water temperatures in excess of 140 degrees F may damage the fill spout and/or discolor the bath's surface.

Installation for Top Access

If service access to Water Rainbow plumbing under the rim is not possible, it is possible to install the spout so that it can be replaced at a later date (if necessary) from the top of the rim. To do this, allow at least 2" of flexibility in the piping so it can be pulled up through the rim. Use a compression fitting or union at the connection of the pipe extension to allow disconnection without rotating the fill spout. If a compression fitting is not used, make sure there is a space of at least 6" from the back of the Water Rainbow to the wall, so the spout can be rotated to unscrew it from the piping. (See illustration M.)

To remove the fill spout from the top of the bath, first pry off the cover. **Do not use sharp tools!** Then remove the two larger screws and pull the spout up.

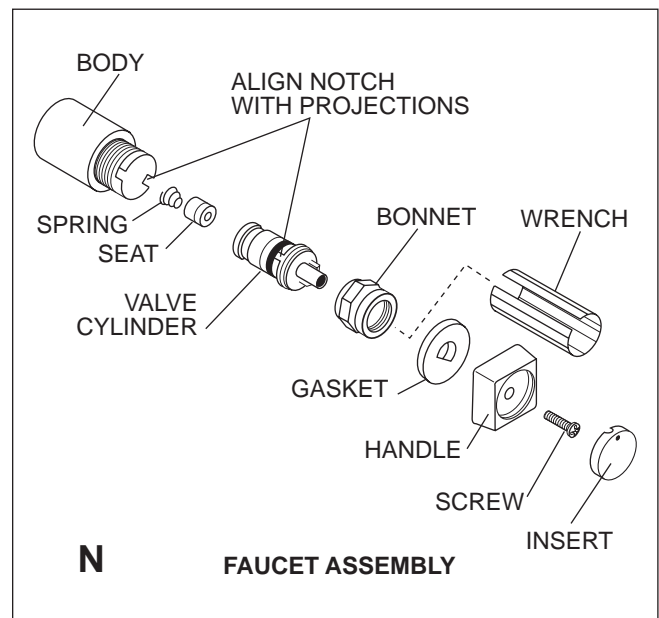
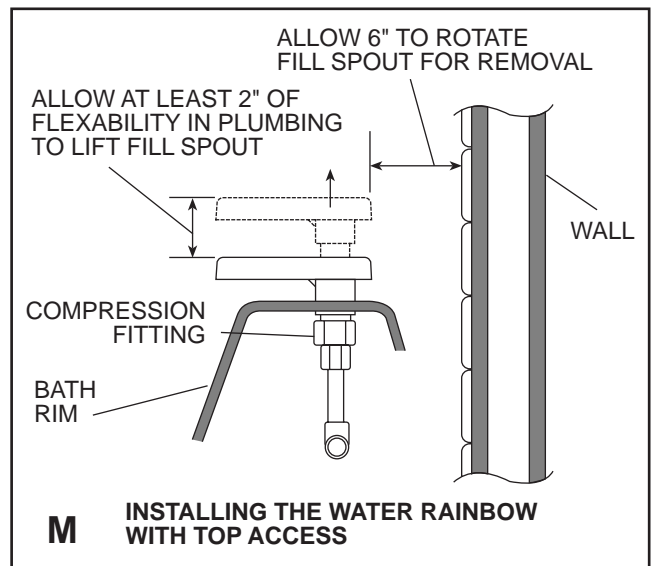


Faucet Valve Replacement

Jacuzzi Whirlpool Bath has provided a special wrench with which to change the cylinder valve assembly under the water supply handles should it require replacement. Keep this tool in a safe place for use at a later date. To replace the cylinder valve and the seat assembly, first turn off the water supply, then pry the insert from the square handle. Next, remove the Phillips screw securing the handle and remove the handle. Place the wrench on the bonnet and turn it counterclockwise. Next, remove the bonnet, leaving it in the wrench.

Note the position of the valve cylinder stop before removing the cylinder. Now use pliers to pull the valve cylinder stem out of the body, then slip the replacement cylinder unit into the body so that stops of both faucets are positioned downward, toward the bottom of the bath allowing rotation in the same direction.

Secure the bonnet in place with the wrench. Replace the handle and the screw. Snap the insert into place. (See illustration N.) The above faucet replacement parts are available from your Jacuzzi Whirlpool Bath dealer.



CAUTION

Since plumbing fittings may contribute detectable amounts of lead to water, the following notice is required by California law (Proposition 65). "This product contains a chemical known to the State of California to cause birth defects or reproductive harm." In normal use, any lead exposure can be minimized by allowing the water to run free for several seconds before drinking.

Proper installation of the fill spout and compliance with local codes is the responsibility of the installer. Jacuzzi Whirlpool Bath does not warrant connections of water supply fittings and piping, fill systems, or drain/overflow systems. Nor is it responsible for damage to the bath (or spa) which occurs during any installation procedure.

PRODUCT SPECIFICATIONS ARE SUBJECT TO CHANGE WITHOUT NOTICE. USE INSTALLATION INSTRUCTIONS SUPPLIED WITH PRODUCT.

Jacuzzi Whirlpool Bath has obtained applicable code (standards) listings generally available on a national basis for products of this type. It is the responsibility of the installer/owner to determine specific local code compliance prior to installation of the product. Jacuzzi Whirlpool Bath makes no representation or warranty regarding, and will not be responsible for any code compliance.

JACUZZI WHIRLPOOL BATH

Jacuzzi Whirlpool Bath National Headquarters
P.O. Drawer J, Walnut Creek, CA 94596 (510) 938-7070
Customer Service: Call (800) 288-4002

© Copyright 1991 Jacuzzi Whirlpool Bath 6683000 E 3/93



Printed on Recycled Paper

Printed in the U.S.A.