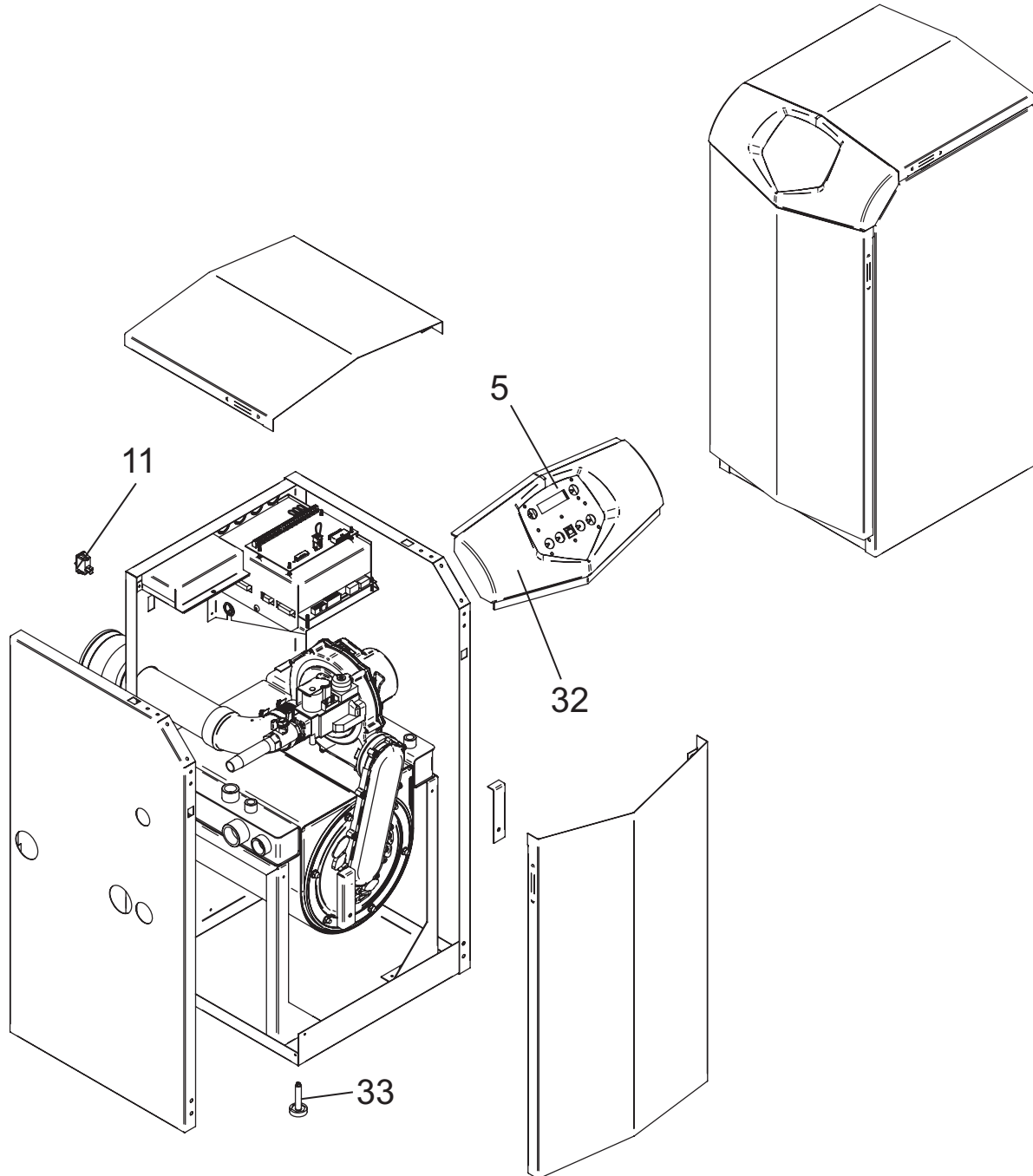




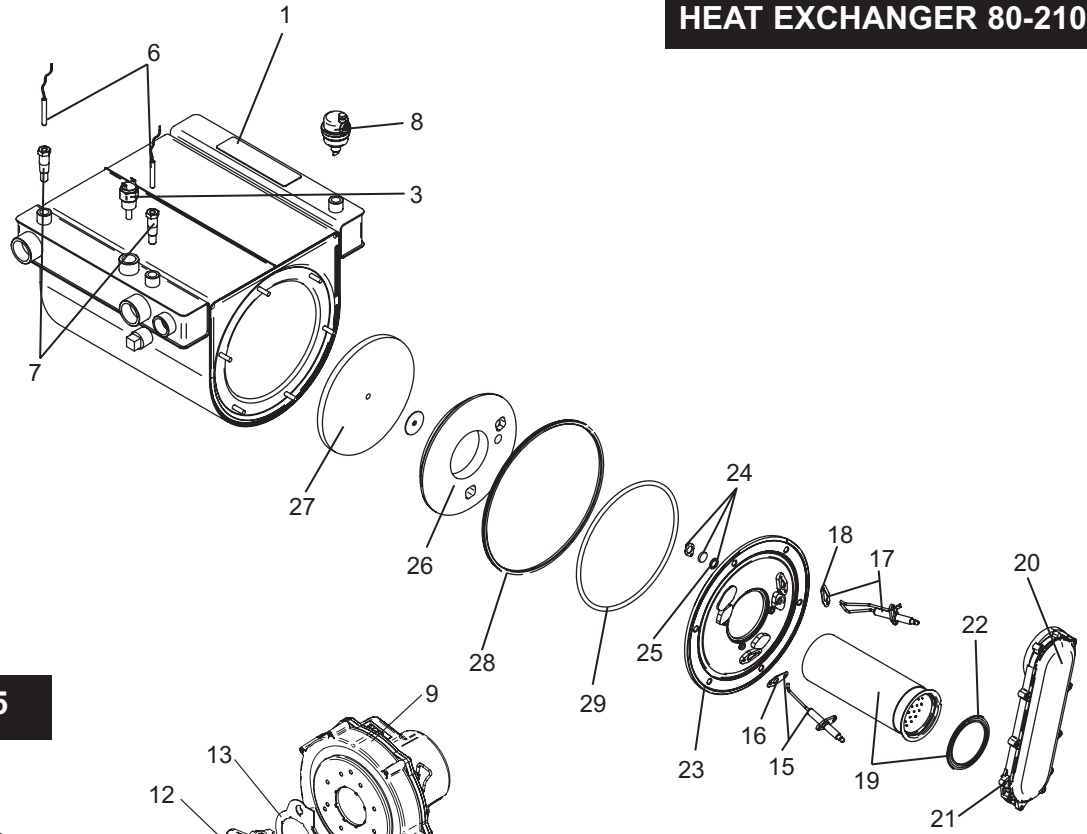
**PARTS & SERVICE DEPARTMENT**  
Nashville, Tennessee  
615-889-8900 / Fax: 615-547-1000  
www.Lochinvar.com

**Replacement Parts List**

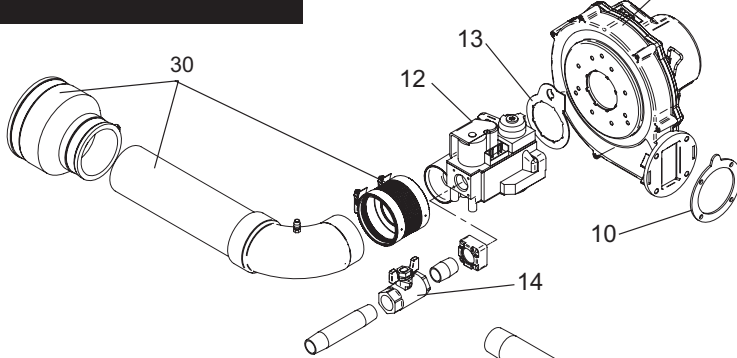
**Knight**  
**Heating Boilers**  
**KB 80 thru 500**



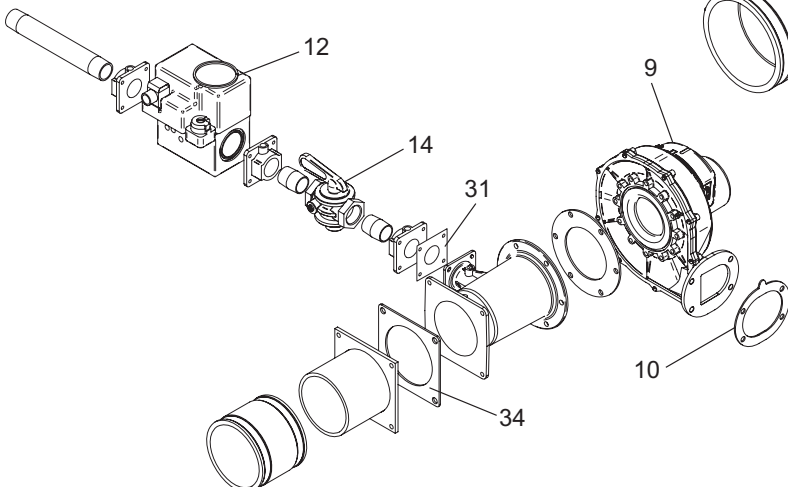
# HEAT EXCHANGER 80-210



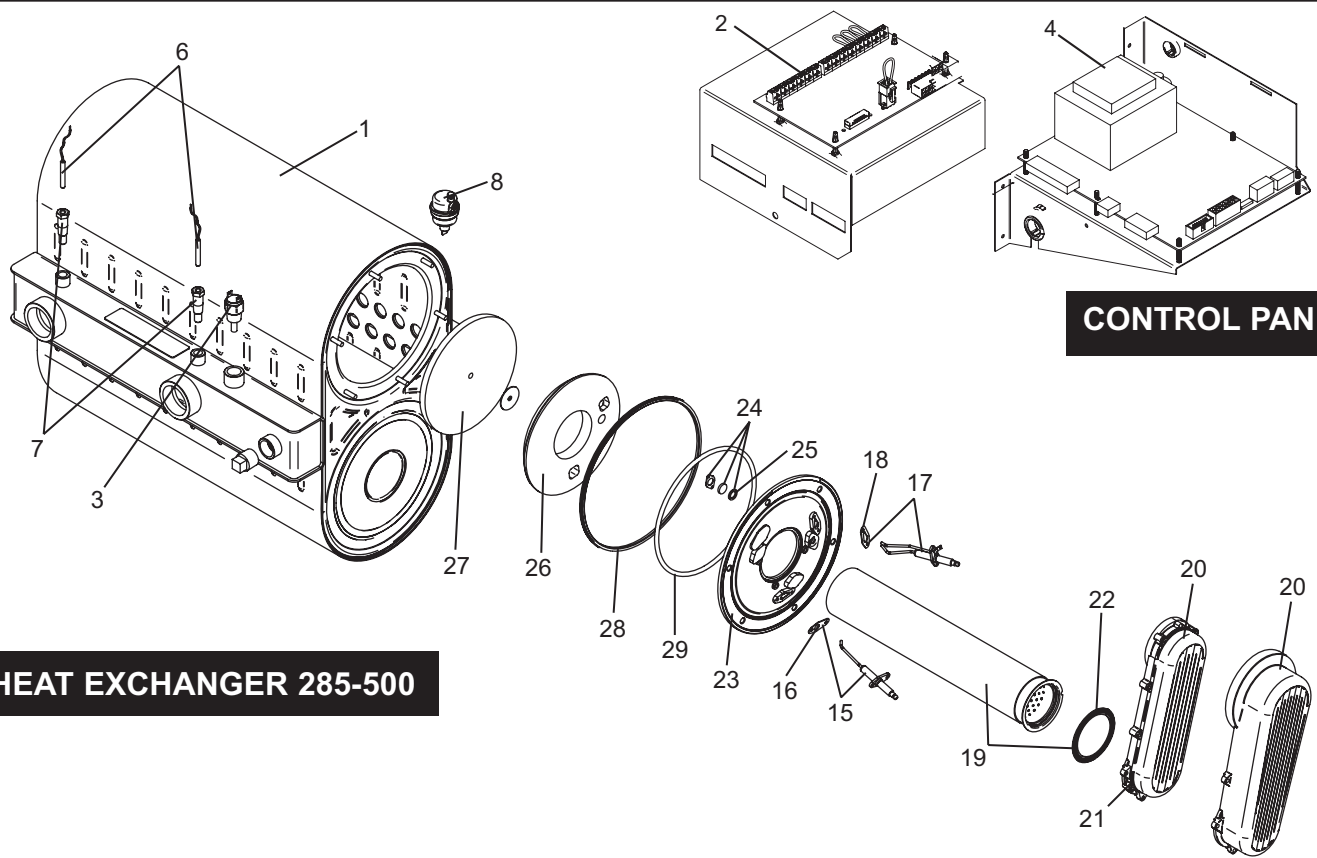
## GAS TRAIN 80-285



## GAS TRAIN 500



## GAS TRAIN 399



**HEAT EXCHANGER 285-500**

**CONTROL PANEL**

ITEM NO.	PART NO.	DESCRIPTION	MODEL NO.
<b>HEAT EXCHANGER ASSY</b>			
1	HEX3076	HEAT EXCHANGER	KBN080
1	HEX3077	HEAT EXCHANGER	KBN105
1	HEX3078	HEAT EXCHANGER	KBN150
1	HEX3079	HEAT EXCHANGER	KBN210
1	HEX3080	HEAT EXCHANGER	KBN285
1	HEX3081	HEAT EXCHANGER	KBN399
1	HEX3082	HEAT EXCHANGER	KBN500
<b>CONTROLS</b>			
2	RLY2202	LOW VOLTAGE CONNECTION BOARD	ALL
3	HLC2501	HIGH LIMIT	ALL
4	RLY2200	INTEGRATED CONTROL	KBN80-285
4	RLY2203	INTEGRATED CONTROL	KBN399
4	RLY2204	INTEGRATED CONTROL	KBN500
4	RLY3200	HIGH ALTITUDE	KBN80-285
4	RLY3203	HIGH ALTITUDE	KBN399
4	RLY3204	HIGH ALTITUDE	KBN500
5	RLY2201	USER INTERFACE CONTROL	ALL
6	TST2032	WATER TEMP SENSOR	ALL
7	TST2040	BULBWELL	ALL
8	RLV2023	AIR VENT VALVE	ALL
9	FAN3030	FAN ASSEMBLY	KBN080 & 105
9	FAN3031	FAN ASSEMBLY	KBN150
9	FAN3032	FAN ASSEMBLY	KBN210
9	FAN3033	FAN ASSEMBLY	KBN285
9	FAN3035	FAN ASSEMBLY	KBN399
9	FAN3034	FAN ASSEMBLY	KBN500
10	GKT2456	GASKET/ BLOWER	KBN080-105-210
10	GKT2436	GASKET/ BLOWER	KBN150-285-399
10	GKT2438	GASKET/ BLOWER	KBN500
11	SWT2006	ON/ OFF SWITCH	ALL
<b>GAS VALVES</b>			
12	VAL3205	GAS VALVE ASSEMBLY	KBN080
12	VAL3200	GAS VALVE ASSEMBLY	KBN105
12	VAL3201	GAS VALVE ASSEMBLY	KBN150
12	VAL3202	GAS VALVE ASSEMBLY	KBN210
12	VAL3203	GAS VALVE ASSEMBLY	KBN285

PLEASE HAVE SERIAL NUMBER AVAILABLE WHEN ORDERING PARTS

ITEM NO.	PART NO.	DESCRIPTION	MODEL NO.
<b>GAS VALVES CONT.</b>			
12	VAL3204	GAS VALVE ASSEMBLY	KBN399
12	VAL3206	GAS VALVE ASSEMBLY	KBN500
13	GKT2443	GAS VALVE GASKET	KBN080-285
13	GKT2444	GAS VALVE GASKET	KBN399
31	GKT2050	GAS VALVE GASKET	KBN500
34	GKT2034	AIR INTAKE GASKET	KBN500
13	GKT2049	GAS VALVE /BLOWER GASKET	KBN500
14	VAL2206	GAS CUT OFF VALVE	KBN80-210
14	VAL2421	GAS CUT OFF VALVE	KBN285
14	GAC2029	GAS CUT OFF VALVE	KBN500
30	MSC3181	AIR INLET KIT	KBN080-105
30	MSC3182	AIR INLET KIT	KBN150
30	MSC3183	AIR INLET KIT	KBN210
30	MSC3184	AIR INLET KIT	KBN285
30	MSC3185	AIR INLET KIT	KBN399
30	MSC3186	AIR INLET KIT	KBN500
<b>PILOT &amp; BURNER ASSEMBLIES</b>			
15	PLT3022	FLAME SENSOR W/GASKET	ALL
16	GKT2450	GASKET, FLAME SENSOR	ALL
17	PLT3021	IGNITER W/GASKET	ALL
18	GKT2449	GASKET, IGNITER	ALL
19	BNR3424	BURNER W/GASKET	KBN080
19	BNR3425	BURNER W/GASKET	KBN105
19	BNR3426	BURNER W/GASKET	KBN150
19	BNR3427	BURNER W/GASKET	KBN210
19	BNR3428	BURNER W/GASKET	KBN285
19	BNR3429	BURNER W/GASKET	KBN399-500
20	WTR3077	GAS/AIR ARM ASSEMBLY W/GASKET	KB080
20	WTR3081	GAS/AIR ARM ASSEMBLY W/GASKET	KBN105
20	WTR3082	GAS/AIR ARM ASSEMBLY W/GASKET	KBN150
20	WTR3078	GAS/AIR ARM ASSEMBLY W/GASKET	KB210/399
20	WTR3079	GAS/AIR ARM ASSEMBLY W/GASKET	KB500
21	GKT2454	GASKET - GAS / AIR ARM ASSEMBLY	KB80-399
22	GKT2451	GASKET, BURNER	ALL
23	WTR3080	HEAT EXCHANGER ACCESS DOOR KIT	ALL
<b>MISCELLANEOUS</b>			
24	MSC3180	SIGHT GLASS	ALL
25	GKT2453	GASKET/ SIGHT GLASS	ALL
26	FIB2168	BURNER PLATE, INSULATION, DOOR	ALL
27	FIB2167	DIVIDER PLATE, INSULATION BAFFLE	ALL
28	GKT2455	GASKET DOOR RUBBER	ALL
29	GKT2452	GASKET DOOR ROPE	ALL
32	MSC2177	DISPLAY BEZEL	ALL
33	BLT2104	LEVELING LEG	ALL
	RLV2005	RELIEF VALVE 30 PSI	KBN080-285
	RLV2001	RELIEF VALVE 50 PSI	KBN399-500
	FUS2000	1.25 AMP	ALL
	FUS2001	3.15 AMP	ALL
	FUS2002	5 AMP	ALL
	WTR2040	FLOW SWITCH	ALL
	MSC2514	HIGH VOLTAGE CONNECTION BOARD	ALL
	TST2311	OUTDOOR AIR SENSOR	ALL
	MSC2971	CONDENSATE TRAP	KBN080-210
	MSC2973	CONDENSATE TRAP	KBN285-500
	SWT2011	BLOCKED DRAIN SWITCH	ALL
	GTP2900	GAUGE TRIOMETER, 75# PSI	ALL
	TST3403	FLUE TEMP SENSOR KIT	ALL
	KIT3086	AMRHL	ALL
	KIT3057	MRLWCO WITH TEST	ALL
	KIT3085	ALARM BELL	ALL
	KIT3088	HI/LO GAS PRESSURE	KBN500
	KIT3078	SYSTEM SENSOR	ALL
	KIT3087	NEUTRALIZER KIT	ALL
	LPK3944	LP CONVERSION KIT	KBN080
	LPK3945	LP CONVERSION KIT	KBN105
	LPK3946	LP CONVERSION KIT	KBN150
	LPK3947	LP CONVERSION KIT	KBN210
	LPK3948	LP CONVERSION KIT	KBN285
	LPK3949	LP CONVERSION KIT	KBN399
<b>PUMPS</b>			
	PUM3002	PUMP BEFORE SERIAL D07H10030082	KBN080-210
	PUM3000	PUMP BEFORE SERIAL D07H10030082	KBN285
	PUM3020	PUMP AFTER SERIAL D07H10030082	KBN080-210
	PUM3021	PUMP AFTER SERIAL D07H10030082	KBN285

**PLEASE HAVE SERIAL NUMBER AVAILABLE WHEN ORDERING PARTS**