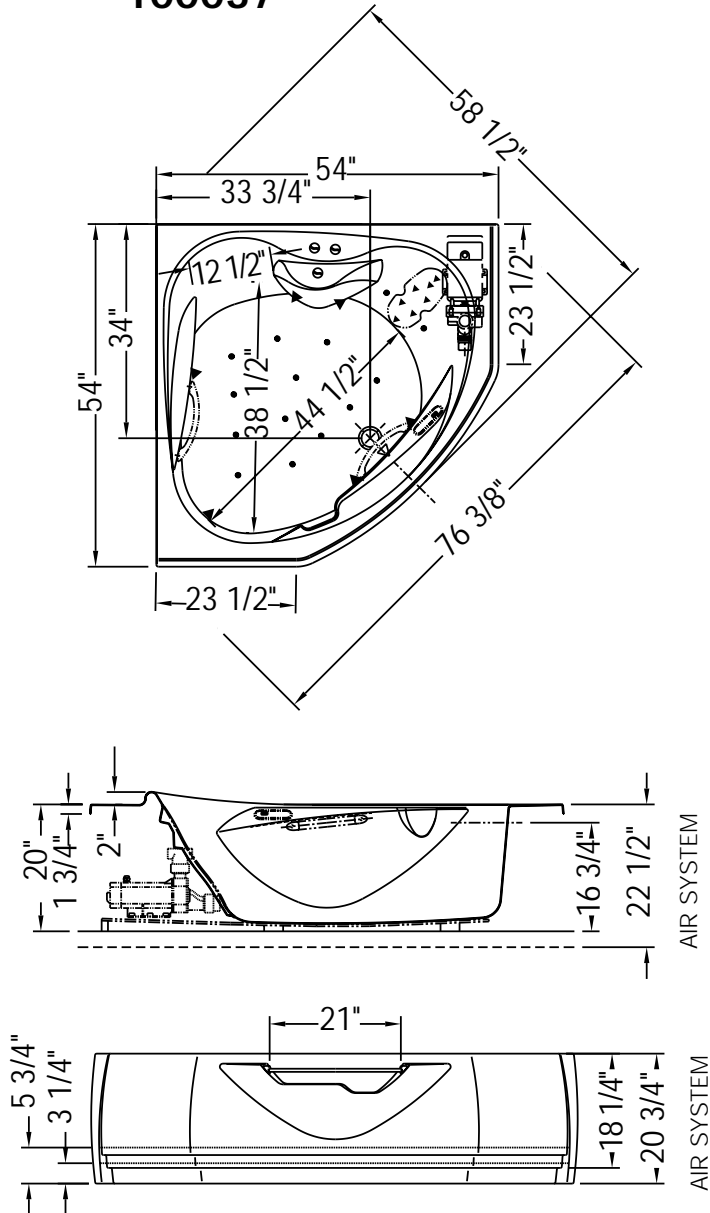


Flirt™

100037



- (▲) : Indicates whirlpool jets positioning
- (●) : Indicates air jets positioning
- (△) : Indicates suction positioning
- (—) : Indicates standard grab bars positioning

All dimensions are approximate and subject to change without any prior notice. Please refer to installation guide before installing the unit.

Bathtub base includes anti-vibration Neutra-Phone™ leg supports (not shown).

Certifications



Applicable Standards

- ANSI Z124.1
- IAPMO/UPC
- UL1795
- CSA B45/CSA C22.2 NO.218.2

December, 2003