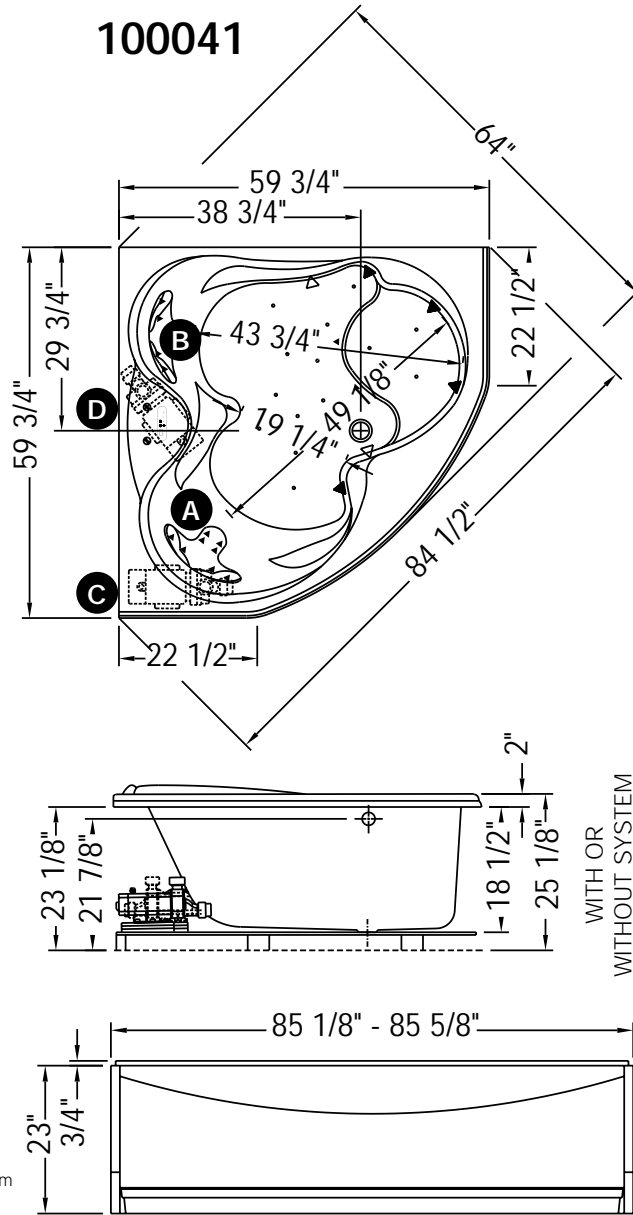


## Kashmir™

100041



- A** : Location of the Backmax system
- B** : Location of an additional Backmax system
- C** : First pump location
- D** : Location of additional pump when equipped with additional Backmax system
- ( ▲ ) : Indicates whirlpool jets positioning
- ( ● ) : Indicates air jets positioning
- ( △ ) : Indicates suction positioning

All dimensions are approximate and subject to change without any prior notice. Please refer to installation guide before installing the unit.

Bathtub base includes anti-vibration Neutra-Phone™ leg supports (not shown).

### Certifications



### Applicable Standards

- ANSI Z124.1
- IAPMO/UPC
- UL1795
- CSA B45/CSA C22.2 NO.218.2

December, 2003

QUEBEC AND ATLANTIC  
600 Cameron, Sainte-Marie  
(Québec) G6E 1B2 Canada  
Tel.: 1-888-957-7816  
Fax: 1-800-201-8308 • (418) 387-9086  
After Sales Service:  
Tel.: 1-877-GET-MAAX (1-877-438-6229)  
Fax: 1-866-819-1324 • (418) 387-9086  
**MAAX.com**

ONTARIO  
Tel.: 1-800-565-4025  
Fax: 1-800-577-8265  
After Sales Service:  
Tel.: 1-877-GET-MAAX  
(1-877-438-6229)  
Fax: 1-866-819-1324  
(418) 387-9086  
**MAAX.com**

WESTERN CANADA  
4225 Spallumcheen Drive,  
Armstrong (British Columbia)  
VOE 1B6 Canada  
(250) 546-8701 or  
(250) 546-3755  
Order Desk:  
Tel.: 1-800-797-9330  
Fax: 1-888-514-4442  
**MAAX.com**

MAAX INC. (USA)  
2121 Walter Glaub Drive  
P.O. Box 484  
Plymouth, IN 46563  
Tel.: 1-800-348-2211  
(574) 936-3838  
Fax: (574) 936-3815  
**MAAX.com**

WESTERN U.S.  
2150 Division Street  
Bellingham WA 98226  
Tel.: (360) 734-0616  
1-800-227-7138  
Fax: (360) 733-6985  
1-800-527-3368  
**MAAX.com**