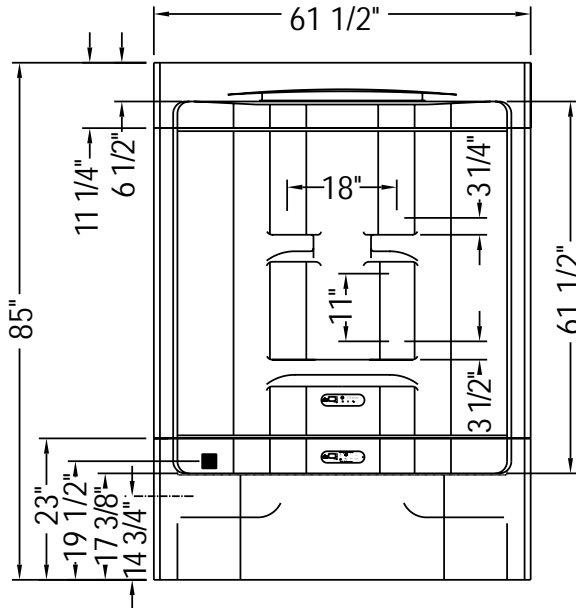
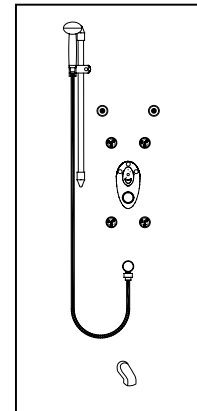


Maestro™

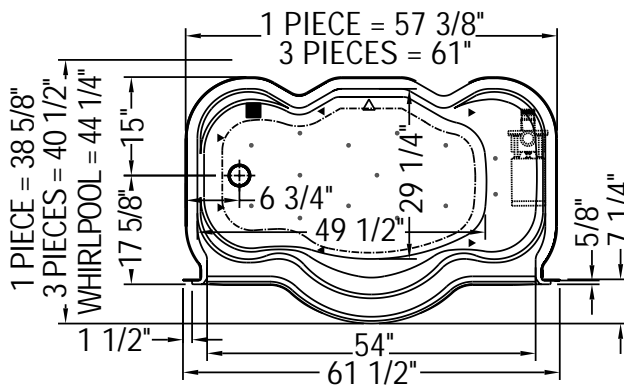
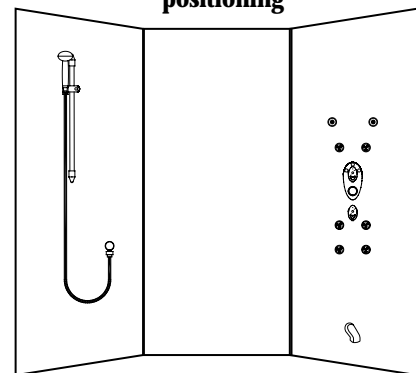
100095 one-piece
100095-S three-piece



MAAX IES 1/2 positioning



MAAX IES 3/4 positioning



- (■): Indicates Steamax nozzle positioning
- (▲): Indicates whirlpool jets positioning
- (●): Indicates air jets positioning
- (△): Indicates suction positioning

When equipped with an Air Massage system, Maestro requires a 2 1/2 in. step underneath the apron. On models equipped with 007 and 012 systems, blower may exceed the overall dimensions of the unit. However, you can install the blower a maximum of 15 ft. from the unit.

All dimensions are approximate and subject to change without any prior notice. Please refer to installation guide before installing the unit.

Tub shower base includes anti-vibration Neutra-Phone™ leg supports (not shown).

Certifications



Applicable Standards

- ANSI Z124.2
- IAPMO/UPC
- CSA B45