

Origin™

101152



Acrylic Freestanding Bathtub

	Bathtub without shelf	With shelf
Length	77 ¹ / ₂ "	77 ¹ / ₂ "
Width	37 ¹ / ₂ "	44 ¹ / ₄ "
Back	27 ³ / ₄ "	27 ³ / ₄ "
Front	22 ¹ / ₂ "	22 ¹ / ₂ "
Weight	225 lb	225 lb
Water cap. max.	80 gal. US 67 gal. CDN	80 gal. US 67 gal. CDN

Key Benefits

- One-of-a-kind minimalist design.
- Long, deep soaker tub for total immersion and quiet relaxation.
- Large shelf for storing bath products.

Standard Features

Available in White or Biscuit.
78" long, 23" deep, forward tilt.
Center drain.
Chrome waste and overflow included.
Differently angled sides to suit bather's preference.
Slightly textured exterior finish.
Solid maple beam available in a choice of 5 colors.
Wood shelf.

Models

101152	Bathtub.	
10011348-084	Waste and overflow.	Chrome
10011348-105	Factory-installed. - Automatic waste and overflow.	Brushed Nickel (PVD)
10011349-000	Solid maple beams.	Natural
10011349-109		Red Birch
10011349-110		Pecan
10011349-111		Cinnamon
10011349-112		Ebony

Fjord Faucet

10011000-084	Bath faucet with hand shower Fjord.	Chrome
10011000-105		Brushed Nickel (PVD)
10011001-084	Water pipe inlet Fjord. - Solid Brass pipe ³ / ₄ in. ¹ / ₂ in. male.	Chrome
10011001-105		Brushed Nickel (PVD)
200025-000-084	8-in. widespread lavatory. - Brass pop-up drain assembly included. - ¹ / ₄ turn ceramic cartridge.	Chrome
200025-000-105		Brushed Nickel (PVD)

Installation Notes

- Carefully read the instructions before beginning the installation.
- Consult local building codes to make sure the installation complies with standards.
- Do not build structure before receiving your unit.
- For optimum operation, it is important that the unit be installed perfectly on a leveled floor.

December, 2003

QUEBEC AND ATLANTIC
600 Cameron, Sainte-Marie
(Québec) G6E 1B2 Canada
Tel.: 1-888-957-7816
Fax: 1-800-201-8308 • (418) 387-9086
After Sales Service:
Tel.: 1-877-GET-MAAX (1-877-438-6229)
Fax: 1-866-819-1324 • (418) 387-9086
www.maax.com

ONTARIO
4225 Spallumcheen Drive,
Armstrong (British Columbia)
V0E 1B6 Canada
(250) 546-8701 or
(250) 546-3755
Order Desk:
Tel.: 1-800-797-9330
Fax: 1-888-514-4442
www.maax.com

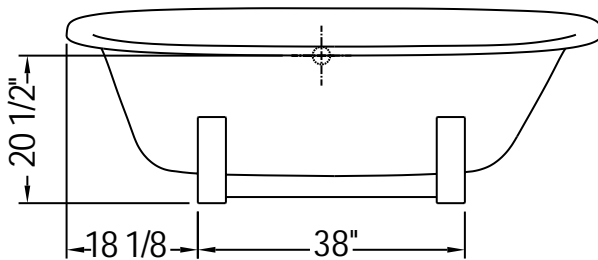
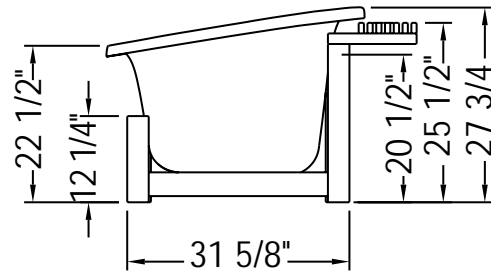
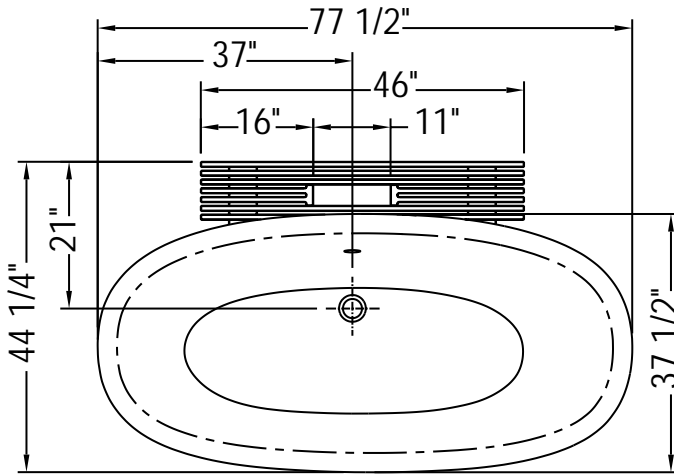
WESTERN CANADA
410 Bloomfield Drive
West Berlin NJ 08091
Tel.: 1-800-362-6428
or (856) 768-0833
Fax: 1-888 355-7925
Customer Service:
Tel.: 1-800-328-2531
Fax: 1-800-362-6428
www.maax.com

NORTHEAST
9224-73rd Avenue North
Minneapolis MN 55428
Tel.: (763) 424-3335
Fax: (763) 424-9808
Customer Service:
Tel.: 1-800-328-2531
Fax: 1-800-362-6428
www.maax.com

MIDWEST
1625 James P. Rodgers Road
Valdosta GA 31603
Tel.: (229) 247-2364
Fax: (229) 247-4967
Customer Service:
Tel.: 1-800-625-6229
Fax: 1-800-527-3368
www.maax.com

SOUTHEAST
2150 Division Street
Bellingham WA 98226
Tel.: (360) 734-0616
1-800-227-7138
Fax: (360) 733-6985
1-800-527-3368
www.maax.com

WESTERN U.S.
2150 Division Street
Bellingham WA 98226
Tel.: (360) 734-0616
1-800-227-7138
Fax: (360) 733-6985
1-800-527-3368
www.maax.com



All dimensions are approximate and subject to change without any prior notice. Please refer to installation guide before installing the unit.

Certifications



Applicable Standards

- ANSI Z124.1
- CSA B45