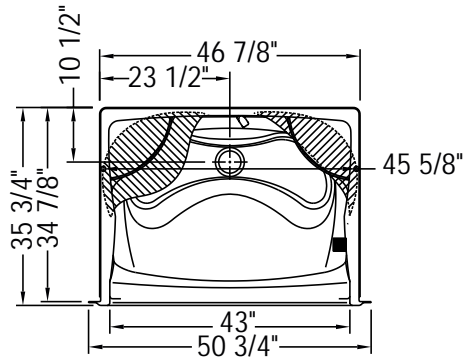
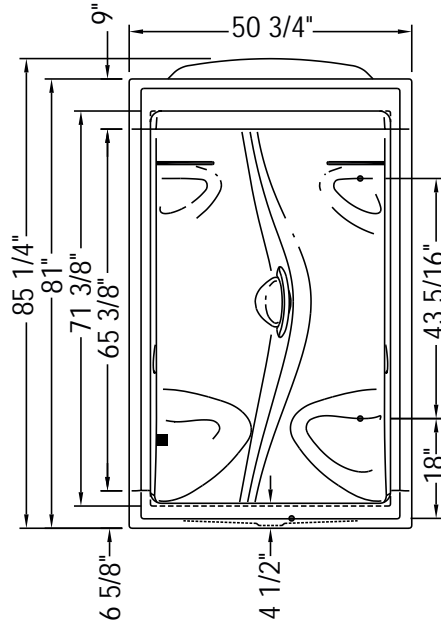
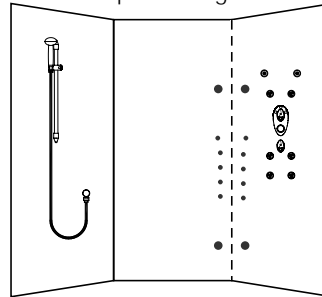


Stamina 48-I™

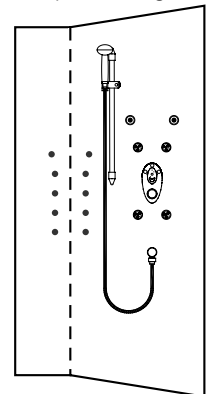


Left seat / Right footrest

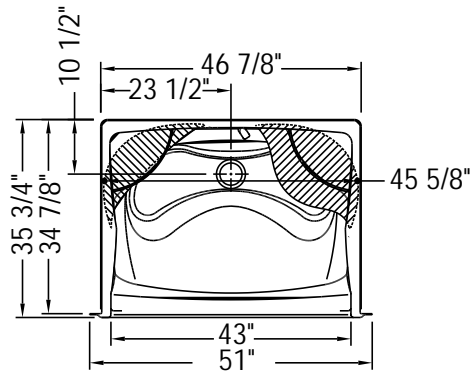
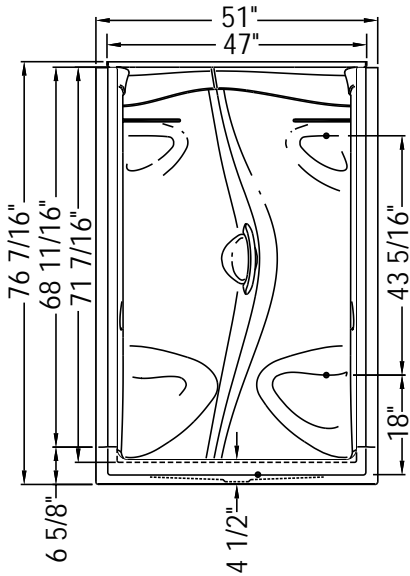
MAAX IES 3/4 positioning



MAAX IES 1/2 positioning



Stamina 48-II™



Left footrest / Right seat

(■): Indicates Steamax nozzle positioning

Plane surface for the installation of the valve 8" diameter.

All dimensions are approximate and subject to change without any prior notice.

Please refer to installation guide before installing the unit.

Certifications



Applicable Standards

- ANSI Z124.2
- IAPMO/UPC
- CSA B45