

Serenity 2 MTDS-31B

78.25" x 56.5" x 24"

GENERAL SPECIFICATIONS:

Tub Size	78.25" x 56.5" x 24"
Bathing Well	length: 66" top / 44.25" bottom width: 41.5" top / 37.25" bottom depth at overflow: 19.75"
Plumbed Weight	185 lbs / 83.99 kg
Soaker Weight	120 lbs / 54.48 kg
Average Fill	54 gal to above jet level
Maximum Fill	127 gal to overflow
Undermountable	No

NOTE: Filling this tub to the maximum may require an above average size or dedicated water heater.

NOTE: Not recommended as a tub / shower combination.

ELECTRICAL SPECIFICATIONS:

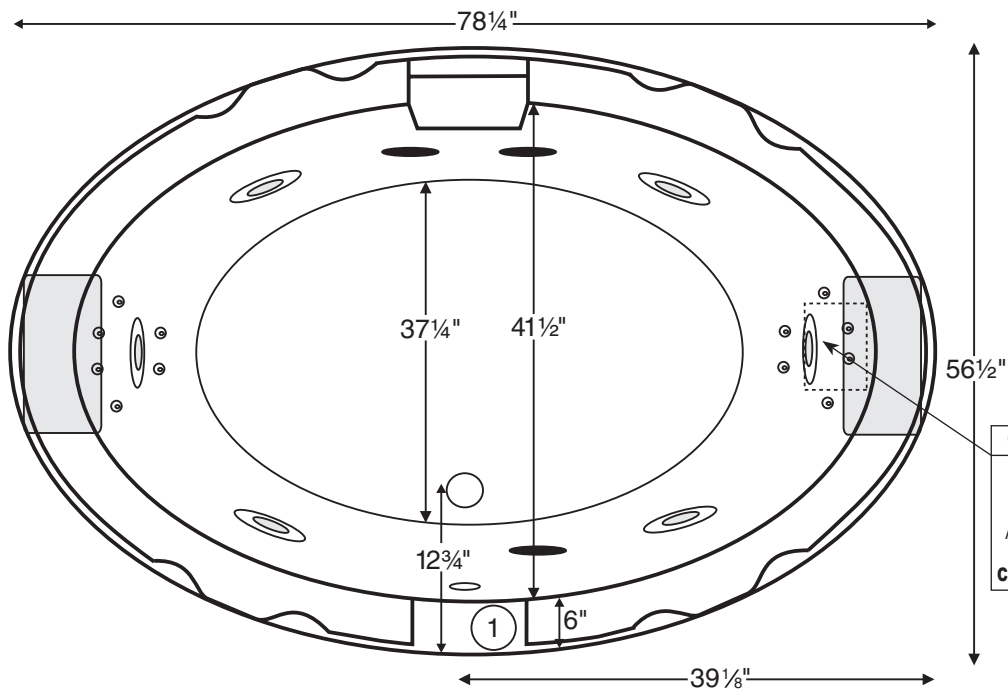
Required Electrical Service	110 Volt
Air Bath or Standard Whirlpool	1-15 amp GFCI
Standard Whirlpool w/Air	2-15 amp GFCI
Ultra-Therapy	2-20 amp GFCI
Ultra-Therapy w/Air	2-20 amp GFCI

UL Listed or CSA Certified C/US; NAHB Certified; ANSI Z124.1 for plastic tubs and ANSI 112.19.7 for whirlpool components.

NOTE: See electrical specifications page for electrical requirements of options.



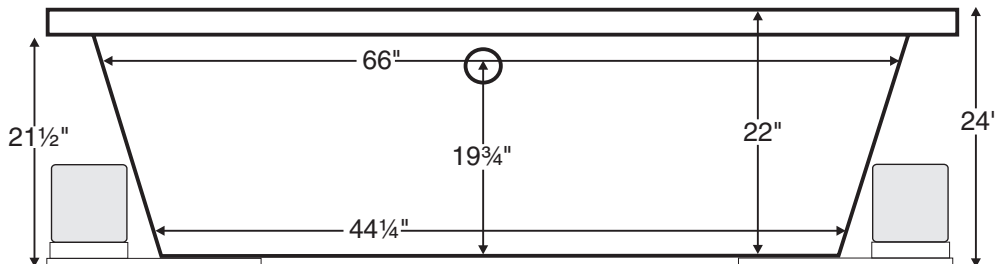
Shown with Standard Therapy Package and optional Fill-Flush.



Compliance Label
Model MTXXXX
Made in USA
Complies with ANSI Z124.1-1995
UL UPC or
CSA Certified C/US

Numbered location on tub deck is possible Fill-Flush, Hand-Held Shower or Breda location. When both are specified, the Hand-Held Shower or Breda may be located on the tub flange above any of the four jets on the sides of the tub.

Shown with Ultra-Therapy Package.

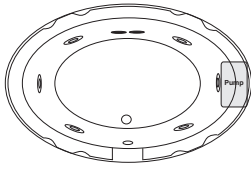
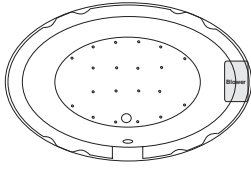
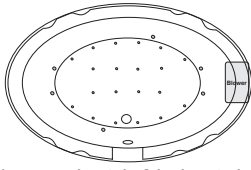


INSTALLATION: Add 1/2"-1" to depth of tub for bedding compound. MTI recommends Quikrete Sand Mix. System Aria adds approximately 2" to height of tub. Please measure tub before building tub decking. Suction and control locations may vary. Drawing shows best pump location. Alternate locations available—call MTI for details. Measurements are $\pm 1/2"$ and are subject to change without notice. Data herein supersedes all previous prior to publication date shown below.



Serenity 2 MTDS-31B

78.25" x 56.5" x 24"

	Soaker	Standard Whirlpool	Ultra-Whirlpool
Soaker / Whirlpool	Soakers (S31B)	Standard Therapy (P31B)	Ultra-Therapy (P31BU)
 Shown with Standard Therapy Package.	Soaker	6 point-massage jets, 2 bhp pump and an inline heater	6 point-massage jets, 12 micro-jets with Tsubo-massage, 2 2-bhp pumps and an inline heater
System Aria	Air Bath (AST31B)	Air Whirlpool (AW31B)	Air Ultra (AU31B)
 Adds approximately 2 inches to base.	20 air jets, aromatherapy diffusion, heated blower and a pre-leveled foam base	6 point-massage jets, 2 bhp pump, an inline heater, 20 air jets, aromatherapy diffusion, heated blower and a pre-leveled foam base	6 point-massage jets, 12 micro-jets with Tsubo-massage, 2 2-bhp pumps, an inline heater, 20 air jets, aromatherapy diffusion, heated blower and a pre-leveled foam base
System Aria Elite	Aria Elite Bath (AE31B)	Aria Elite Whirlpool (AEAP31B)	Aria Elite Ultra (AEAP31BU)
 Adds approximately 2 inches to base.	20 air jets, aromatherapy diffusion, six 7-port lateral jets (42 air streams), 2 LED lights, heated blower and a pre-leveled foam base	6 point-massage jets, 2 bhp pump, an inline heater, 20 air jets, aromatherapy diffusion, six 7-port lateral jets (42 air streams), 2 LED lights, heated blower and a pre-leveled foam base	6 point-massage jets, 12 micro-jets with Tsubo-massage, 2 2-bhp pumps, an inline heater, 20 air jets, aromatherapy diffusion, six 7-port lateral jets (42 air streams), 2 LED lights, heated blower and a pre-leveled foam base

CONSTRUCTION

- Lucite® cast acrylic shell.
- Thick fiberglass/resin/titanium reinforcement.
- Lifetime Residential Warranty.

COLORS

Standard: White, Bone, Biscuit, Almond

Optional: Over 40. Call for availability. Tub category: L

OPTIONS

For Soakers, Air Baths and Whirlpools:

- Quick Ship/Priority. Call for availability. (QSPRI)
- Single Grab Bar, Straight (in Soapdish Area)
 - Acrylic (GB31A)
 - Chrome (GB31C)
 - Brass (GB31B)
 - Special Finish (GB31SF)
- Metal Grab Bars, Modern Straight 9" (set of 2)
 - Chrome (GBMS9C); Brushed Nickel (GBMS9BN); Polished Nickel (GBMS9PN)
- Metal Grab Bars, Curved (set of 2)
 - Chrome (GBMCC); Brushed Nickel (GBMCPN); Polished Nickel (GBMCPN)
- Waste & Overflow Kits
 - Lift & Turn White (WOW)
 - Lift & Turn Chrome (WOC)
 - Lift & Turn Brass (WOB)
 - Lift & Turn Brushed Nickel (WOBN)
 - Lift & Turn Pearl Nickel (WOPN)
 - Cable Driven White, Bone, Biscuit, Almond (WOCDW)
 - Cable Driven Chrome (WOCDB)
 - Cable Driven Brass (WOCDBR)
 - Cable Driven Oil Rubbed Bronze (WOCDBR)
 - Cable Driven Brushed Nickel (WOCDBN)
 - Cable Driven Polished Nickel (WOCDBN)
 - Cable Driven Special Finish (WOCDBN)
 - Toe-Tap Chrome (WOTTC)
 - Toe-Tap Brushed Nickel (WOTTBN)
 - Decorative Exposed Piping Chrome (DKFTC)
 - Decorative Exposed Piping Brushed Nickel (DKFTBN)
 - Decorative Exposed Piping Polished Nickel (DKFTN)
 - Decorative Exposed Piping Oil Rubbed (DKFTOR)
 - Decorative Exposed Piping Special Finish (DKFTSF)
- Decorative Towel Bar Chrome (CHTOWEL)
- Decorative Towel Bar Brushed Nickel (BNTOWEL)
- Blower Box: Oak (BBOAK); Cherry (BBCH); Maple (BMAP)
- Textured Non-Slip Bottom (TXTBTM) meets ASTM F-462-1994

N/C
See p I-1

N/A

N/A

N/A

N/A

N/A

N/A

N/A

N/A

N/A

N/A

N/A

- Mood Light (ML)
- Chromotherapy: digitally controlled LED lighting (LE)
- Pillows: various shapes and sizes
- Hand-Held Showers, factory installed
- Integral Tile Flange 3 sides (ITF)
- Tile Flange Kit Factory-Installed 3 sides – Rigid ABS (TFK3)
- Tile Flange Kit Field-Installed 3 sides – Rigid ABS (TFKNI)
- Pre-leveled Foam Base (PLFOAM) [standard with air baths]
- Pre-Levelled Frame and Foam Base (PLF)
- Skirting (For non-standard colors of acrylic skirts, see p I-1 for pricing.)
 - Paintable Wood Skirt (SKW6)
 - Stainable Wood Skirt / Cherry (SKCH6)
 - Stainable Wood Skirt / Oak or Maple (SKO6)
 - One-Piece Acrylic Raised Panel (SKAO6)
 - Acrylic Raised Panel-Look w/ Removable Panels (SKAR6)
 - Acrylic Euro-Style w/ Removable Panels (SKE6)

For Whirlpools:

- Trim Kits
 - Standard Therapy Chrome (TRC)
 - Standard Therapy Brass (TRBR)
 - Standard Therapy Br Nickel (TRBN); Pri Nickel (TRPN)
 - Standard Therapy Special Finish (TRSF)
 - Ultra-Therapy Chrome (TRC)
 - Ultra-Therapy Brass (TRBR)
 - Ultra-Therapy Br Nickel (TRBN); Pri Nickel (TRPN)
 - Ultra-Therapy Special Finish (TRSF)
- (For more info and special finishes for whirlpools and air baths, see p C-23.)
- Pump Upgrades
 - 2 bhp (PUMP2)
 - 3 bhp (PUMP3)
 - Commercial (PUMPCOMUP)
- Inline Heater Installed (HTI)
- Inline Heater Sold Separately (HTR)
- TF-1 Low Water Sensor/Timer (TF1)
- Rotary Jets: Can be substituted for Point-Massage Jets
- Additional Point-Massage Jets(EJ)
- Micro-Jets
- Whirlpool Cleaning Systems: Fill-Flush® with Customer-Supplied Valves (FFCS) or Simple Touch® (FFE) (See p C-3)
- Breda Valve (Atmospheric Vent Only)
 - Chrome (BREDAAV)
 - Brass (BREDABRV); Brushed Nickel (BREDABNV)
 - Special Finish (BREDASVF)
- Breda Valve (Diverter)
- Ozonator Bath Sanitation System (OZONE)

See p C-13

See p C-10

N/A

N/A

N/A

N/A

N/A

N/A

N/A

N/A

N/A

N/A

N/A

N/A

N/A

N/A

N/A

N/A

N/A

N/A

N/A

N/A

N/A

N/A

N/A

N/A

N/A

N/A

N/A

N/A

N/A

N/A

N/A

N/A

N/A

N/A

N/A

N/A

N/A

N/A

N/A

N/A

N/A

N/A

N/A

N/A

N/A

N/A

N/A