

Renaissance MTI-81

59.5" x 47.5" x 21.5"

GENERAL SPECIFICATIONS:

Tub Size	59.5" x 47.5" x 21.5"
Bathing Well	length: 52.5" top / 44" bottom width: 36" top / 31.5" bottom depth at overflow: 16.75"
Plumbed Weight	150 lbs / 68.10 kg
Soaker Weight	100 lbs / 45.40 kg
Average Fill	56 gal to above jet level
Maximum Fill	90 gal to overflow
Undermountable	No

ELECTRICAL SPECIFICATIONS:

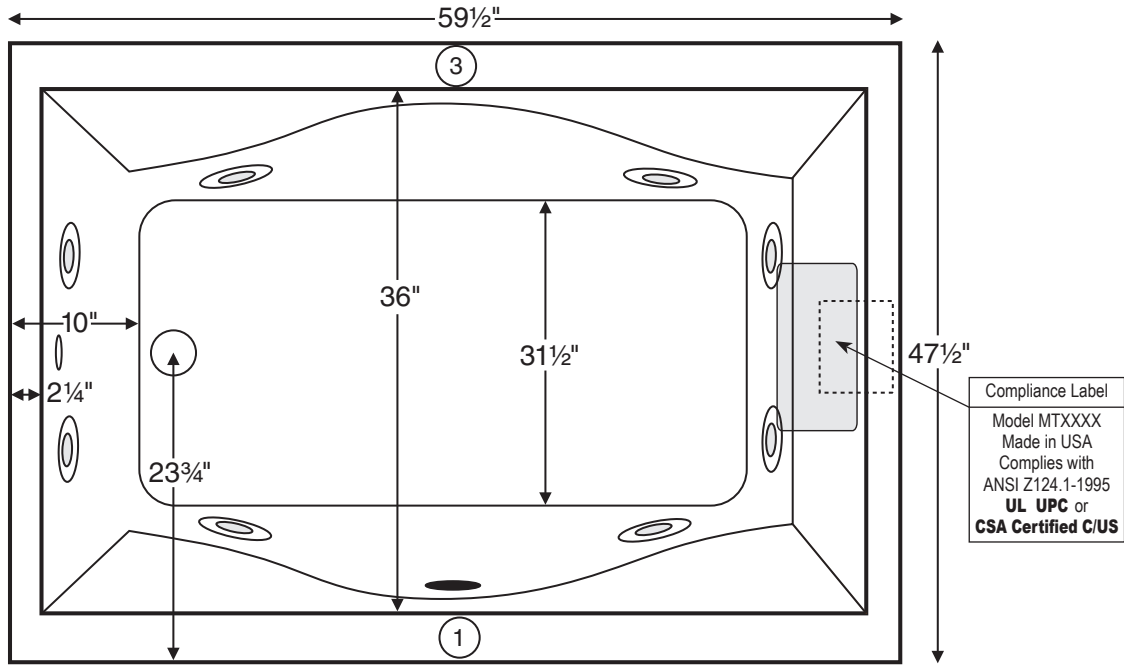
Required Electrical Service	110 Volt
Air Bath or Standard Whirlpool	1-15 amp GFCI
Enhanced Whirlpool	1-20 amp GFCI
Standard Whirlpool w/Air	2-15 amp GFCI
Enhanced Whirlpool w/Air	2-20 amp GFCI

UL Listed or CSA Certified C/US; NAHB Certified; ANSI Z124.1 for plastic tubs and ANSI 112.19.7 for whirlpool components.

NOTE: See electrical specifications page for electrical requirements of options.

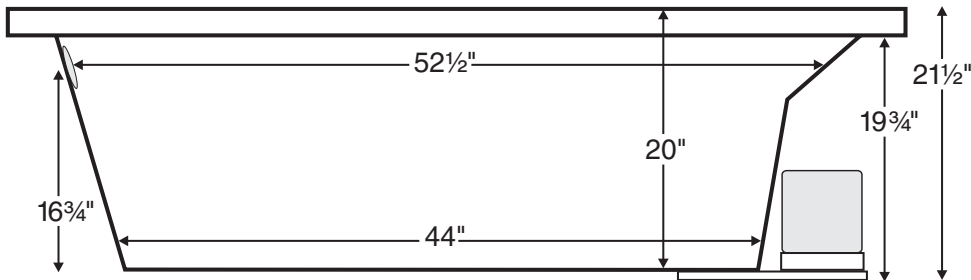


Shown with Standard Therapy Package.



Numbered locations on tub deck are possible Fill-Flush, Hand-Held Shower or Breda locations.

Shown with Enhanced Therapy Package.

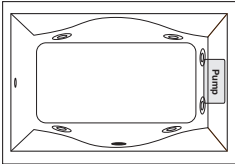
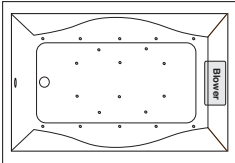
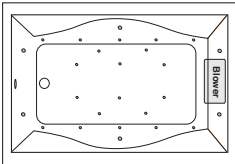


INSTALLATION: Add 1/2"-1" to depth of tub for bedding compound. MTI recommends Quikrete Sand Mix. System Aria adds approximately 2" to height of tub. Please measure tub before building tub decking. Suction and control locations may vary. Drawing shows best pump location. Alternate locations available—call MTI for details. Measurements are ± 1/2" and are subject to change without notice. Data herein supersedes all previous prior to publication date shown below.



Renaissance MTI-81

59.5" x 47.5" x 21.5"

Soaker / Whirlpool	Soakers (S81)	Standard Whirlpool Standard Therapy (P81)	Enhanced Whirlpool Enhanced Therapy (E81)
 <p>Shown with Standard Therapy Package.</p>	Soaker	6 point-massage jets, 1.25 bhp pump	8 point-massage jets, 2 bhp pump and an inline heater
System Aria	Air Bath (AST81)	Air Whirlpool (AW81)	Air Enhanced (AEW81)
 <p>Adds approximately 2 inches to base.</p>	20 air jets, aromatherapy diffusion, heated blower and a pre-leveled foam base	6 point-massage jets, 1.25 bhp pump, 20 air jets, aromatherapy diffusion, heated blower and a pre-leveled foam base	8 point-massage jets, 2 bhp pump, an inline heater, 20 air jets, aromatherapy diffusion, heated blower and a pre-leveled foam base
System Aria Elite	Aria Elite Bath (AE81)	Aria Elite Whirlpool (AEAP81)	Aria Elite Enhanced (AEAE81)
 <p>Adds approximately 2 inches to base.</p>	20 air jets, aromatherapy diffusion, six 7-port lateral jets (42 air streams), 2 LED lights, heated blower and a pre-leveled foam base	6 point-massage jets, 1.25 bhp pump, 20 air jets, aromatherapy diffusion, six 7-port lateral jets (42 air streams), 2 LED lights, heated blower and a pre-leveled foam base	8 point-massage jets, 2 bhp pump, an inline heater, 20 air jets, aromatherapy diffusion, six 7-port lateral jets (42 air streams), 2 LED lights, heated blower and a pre-leveled foam base

CONSTRUCTION

- Lucite® cast acrylic shell.
- Thick fiberglass/resin/titanium reinforcement.
- Integrated metal reinforcement in tub decking.
- Lifetime Residential Warranty.

COLORS

Standard: White, Bone, Biscuit, Almond

Optional: Over 40. Call for availability. Tub category: M

OPTIONS

For Soakers, Air Baths and Whirlpools:

- Quick Ship/Priority. Call for availability. (QSPRI)
- Metal Grab Bars, Straight (set of 2)
 - Chrome Upgrade (GBUPC)
 - Brass Upgrade (GBUPB)
 - Brushed Nickel Upgrade (GBUPBN)
 - Special Finishes Upgrade (GBUPSF)
- Acrylic Grab Bars, Curved (set of 2)
 - White (GBCW); Bone (GBCB); Almond (GBCAL); Biscuit (GBCBS); Clear w/ Chrome Accents (GBCAC); Clear w/ Brass Accents (GBCBAC); Clear w/ Brushed Nickel Accents (GBCAB)
- Metal Grab Bars, Modern Straight 9" (set of 2)
 - Chrome (GBMS9C); Brushed Nickel (GBMS9BN); Polished Nickel (GBMS9PN)
- Metal Grab Bars, Curved (set of 2)
 - Chrome (GBMCC); Brushed Nickel (GBMCCBN); Polished Nickel (GBMCCPN)
- Waste & Overflow Kits
 - Lift & Turn White (WOW)
 - Lift & Turn Chrome (WOC)
 - Lift & Turn Brass (WOB)
 - Lift & Turn Brushed Nickel (WOBN)
 - Lift & Turn Pearl Nickel (WOPN)
 - Cable Driven White, Bone, Biscuit, Almond (WOCDW)
 - Cable Driven Chrome (WOCDB)
 - Cable Driven Brass (WOCDBR)
 - Cable Driven Oil Rubbed Bronze (WOCDOB)
 - Cable Driven Brushed Nickel (WOCDBN)
 - Cable Driven Polished Nickel (WOCDBPN)
 - Cable Driven Special Finish (WOCDSF)
 - Toe-Tap Chrome (WOTTC)
 - Toe-Tap Brushed Nickel (WOTTBN)

N/C
See p I-1

N/A

- Textured Non-Slip Bottom (TXTBTM) meets ASTM F-462-1994
- Mood Light (ML)
- Chromotherapy: digitally controlled LED lighting (LE)
- Pillows: various shapes and sizes
- Hand-Held Showers, factory installed
- Integral Tile Flange 3 sides (ITF) Specify RH or LH Drain
- Tile Flange Kit Factory-Installed 3 sides – Rigid ABS (TFK3)
- Tile Flange Kit Field-Installed 3 sides – Rigid ABS (TFKNI)
- Pre-leveled Foam Base (PLFOAM) [standard with air baths]
- Pre-Leveled Frame and Foam Base (PLF)
- Skirting (For non-standard colors of acrylic skirts, see p I-1 for pricing.)
 - Paintable Wood Skirt (SKW5)
 - Stainable Wood Skirt / Cherry (SKCH5)
 - Stainable Wood Skirt / Oak or Maple (SKO5)
 - One-Piece Acrylic Raised Panel (SKA5)
 - Acrylic Raised Panel-Look w/ Removable Panels (SKAR5)
 - Acrylic Euro-Style w/ Removable Panels (SKE5)

For Whirlpools:

- Trim Kits for Standard and Enhanced Therapy
 - Chrome (TRC)
 - Brass (TRBR)
 - Brushed Nickel (TRBN)
 - Pearl Nickel (TRPN)
 - Special Finish (TRSF)
- (For more info and special finishes for whirlpools and air baths see p C-23.)
- Pump Upgrades
 - 2 bhp (PUMP2)
 - 3 bhp (PUMP3)
 - Commercial (PUMPCOMUP)
- Inline Heater Installed (HTI)
- Inline Heater Sold Separately (HTR)
- TF-1 Low Water Sensor/Timer (TF1)
- Rotary Jets: Can be substituted for Point-Massage Jets
- Additional Point-Massage Jets (EJ)
- Micro-Jets
- Whirlpool Cleaning Systems: Fill-Flush® with Customer-Supplied Valves (FFCS) or Simple Touch® (FFE) (See p C-3)
- Breda Valve (Atmospheric Vent Only)
 - Chrome (BREDAV)
 - Brass (BREDABRV); Brushed Nickel (BREDABNV)
 - Special Finish (BREDASFV)
- Breda Valve (Diverter)
- Ozonator Bath Sanitation System (OZONE)

See p C-13
See p C-10

N/C

See p C-26

See p C-1