

ET724 Electronic In-Wall Timer

24 Hour, 7 Day

Replaces standard wall switch (toggle) to provide automatic control of outdoor or indoor lighting, fans, pumps, office machines, and other types of circuits. The unit can be programmed for 7-ON and 7-OFF events daily or weekly. AUTO and Manual Modes are clearly displayed along the time of day. The ET724 is designed to be mounted in a standard decorator plate for a sleek modern look.

Features

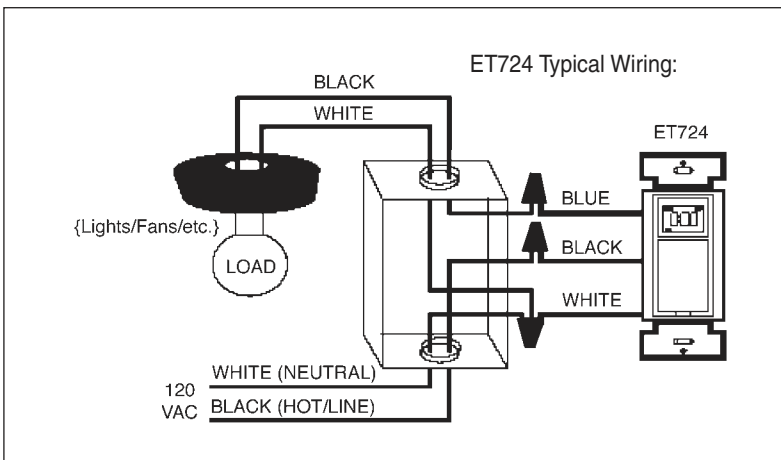
- Sleek profile
- Easy to program
- Single push-button control
- Mounts in standard wallbox
- Built-in rechargeable battery never needs replacement
- LCD display
- Flush mounted design
- Non-volatile memory
- Captive cover plate
- UL Listed and CSA Approved

SPECIFIERS GUIDE

Furnish and install a Grasslin model ET724 electronic in-wall 7 day time control. The timer shall fit into a standard 2-1/2" deep single or multigang wall box and decorator style wallplate. It shall not protrude from the wall more than 1/8" and have a captive cover plate over the programming keys. The unit shall be capable of switching a 20 amp ballast or general purpose load or 1 HP motor and have seven independently programmable events. The battery backup will be a rechargeable NiMH type that does not require replacement.



Profile



SPECIFICATIONS

Input: 120VAC, 60 Hz

Switch Rating:

20A Ballast Switch Rating @ 120VAC

20A Inductive Switch Rating @ 120VAC

2400W Resistive

1HP Motor

Operating Temperature:

32° to 122°F (0° to 50°C)

Faceplate Color: White

Timing Accuracy: Less Than 1% Deviation

Wiring Connections: 6" Leadwires

ORDERING DATA

Model Code	UPC No. 614573	Description	Wallplate Configuration	Switch
ET724	05757	Electronic 24-hr./7-day (White Only)	1 Gang Decorator (Not Included)	SPST