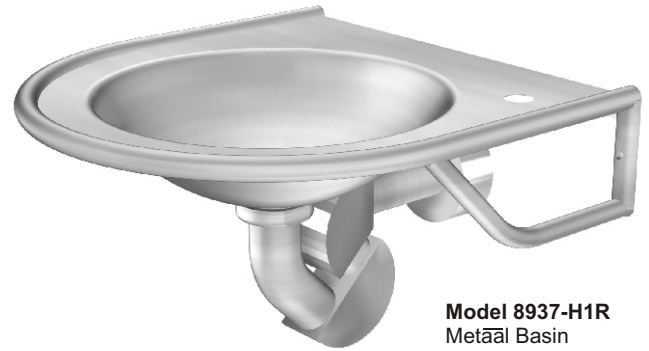


NEO-METRO[®] Collection

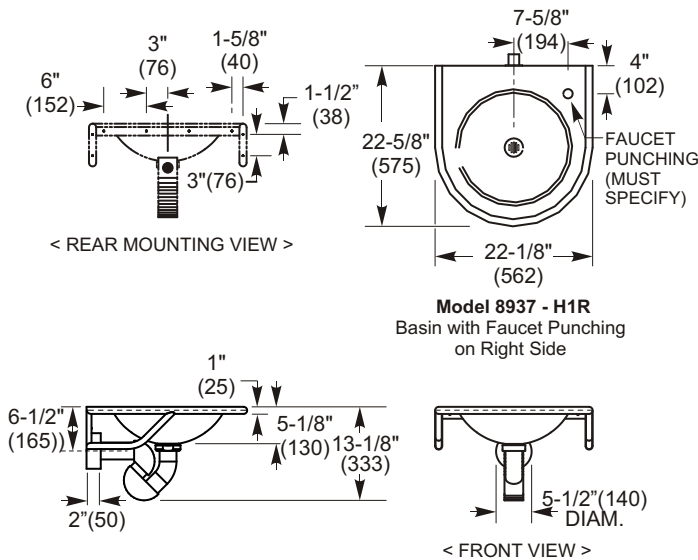
METĀĀL Basin

Features

- One-Piece Wall Mounted Basin
with Integral Round Bowl and Exposed P-Trap
- 16-Gage Stainless Steel Construction
- Satin Finish with *Mira* High Polish Accents on P-Trap
- Lower Support Bars Serve as Towel Racks
- Punched for Single Hole Faucet (Faucet not included)



Model 8937-H1R
Metāal Basin
with Faucet Mounting
on Right Side



Ordering Options

- 8937 Metāal Basin**
Satin Finish with *Mira* Accents on P-Trap

All orders must specify faucet punching:

- H1L** Single Hole Angle Left
- H1R** Single Hole Angle Right

Faucets not included with fixture. Other punching configurations can be requested. Please call NEO-METRO.

PRODUCT Specification . . . Metāal Basin is a one-piece, wall mounted basin with integral round bowl and an exposed P-trap. The basin is manufactured entirely out of 16-gage, type 304 stainless steel, with seam welded construction. All seam welds shall be ground smooth and be polished to a Satin finish. Faceted elbows are in *Mira* finish. Brackets are concealed with a curved cover. The basin complies with ASME A112.19.3 standards.

PLUMBING Specification . . . The Metāal Basin is wall mounted. The basin has a 1-1/2" (38 mm) O.D. P-trap waste outlet. The deck is factory punched with a single hole, either left or right corner for single hole faucet (Customer must specify at time of ordering.) Holes punched for faucets are 1-5/16" (33 mm) diameter. Faucet not included. Other mounting configurations can be ordered, please contact NEO-METRO. Drain is not removable.

Approved for Manufacturing

All dimensions are nominal and subject to manufacturer's change without notice.

Company	Project Name	Authorized Signature	Name Written Clearly	Date
---------	--------------	----------------------	----------------------	------

Neo-Metro Collection is a division of Acorn Engineering Company.

Call Us at (800) 591-9050 • Web Site: www.neo-metro.com

NEO-METRO Collection • P.O. Box 3527 • City of Industry, CA 91744 USA • Phone (626) 855-4854 • Fax (626) 937-4725

TS 8937
PAGE 1 OF 1

L1000752 (1/21/03)