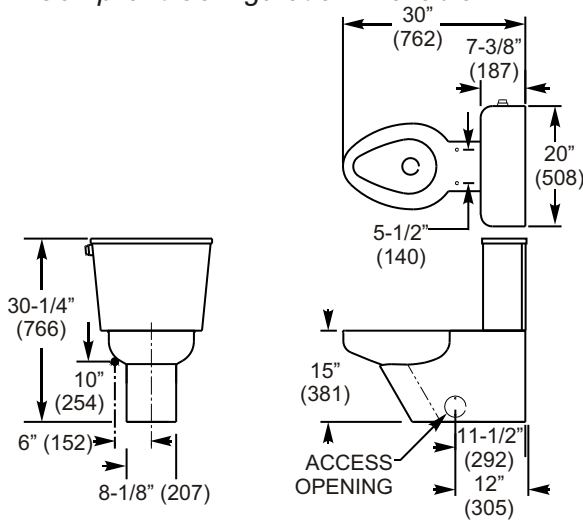


# NEO-METRO® Collection

## METRO URBAN Toilet

### Features

- DESIGNED TO WORK WITH STANDARD RESIDENTIAL WATER INLET AND WASTE OUTLET
- Toilet with Cistern Tank
- 16-Gage Stainless Steel Construction
- Elongated Toilet Bowl; Punched & Threaded for Top Mounted Toilet Seat (1/4-20 x 1" Screws Provided, Seat Sold Separately)
- Polyethylene Inner Tank Releasing 1.6 Gallons (6 Liters) per Flush
- Uses Fluid Master® Toilet Flush Valves and Push Button
- Available in *Satin* (Standard), *Mira* High Polish or *Cosmic* Finishes
- *Mira* High Polish Rim on Cistern Cover (Standard)
- Codes/Standards Applicable - CSA and ANSI A112.19.2M
- ADA Compliant Configuration Available



### Ordering Options

- |                                     |                                                                                                                                                                                           |
|-------------------------------------|-------------------------------------------------------------------------------------------------------------------------------------------------------------------------------------------|
| <input type="checkbox"/> 8950-3     | <b>Metro Urban Toilet</b><br><i>Satin</i> Finish                                                                                                                                          |
| <input type="checkbox"/> 8950-3-HP  | <b>Metro Urban Toilet</b><br><i>Mira</i> Finish                                                                                                                                           |
| <input type="checkbox"/> 8950-3-CMF | <b>Metro Urban Toilet</b><br><i>Cosmic</i> Finish                                                                                                                                         |
| <input type="checkbox"/> - ADA      | <b>ADA Compliancy</b><br>Taller bowl to meet ADA requirements<br>(See separate specification sheet)<br>Other ADA considerations may be required. Please check your local ADA regulations. |



**PRODUCT Specification . . .** Metro Urban Toilet shall be made of 16-gage type 304 stainless steel. The toilet bowl is elongated and is punched and threaded (1/4-20) for top mounting elongated toilet seat. (Seat not included) Stainless steel trapway pass a 2-1/8" (54 mm) ball.. Toilet tank shall have a polyethylene inner liner and flush with a conventional Fluid Master® float/flapper mechanism. Toilet meets ANSIA112.19.2M requirements using an average water consumption of 1.6 gallons (6 liter) per flush. Toilet also meets CSA requirements.

**ADA** compliant Metro Urban Toilet is available (see separate specification sheet) with a taller bowl and ADA compliant flush activating lever. Other ADA considerations may be required. Please check your local ADA regulations.

**PLUMBING Specification . . .** Toilet uses standard residential water inlet and waste. Fill valve inlet is 1/2" NPS. Wall inlet location recommend at 6" (152 mm) from the center and 10" (254 mm) from finished floor. On-floor waste outlet to be located 12" (305 mm) from finished wall. Access via removable side panels.

Approved for Manufacturing

All dimensions are nominal and subject to manufacturer's change without notice.

Company	Project Name	Authorized Signature	Name Written Clearly	Date
---------	--------------	----------------------	----------------------	------

Neo-Metro Collection is a division of Acorn Engineering Company

**Call Us at (800) 591-9050 • Web Site: [www.neo-metro.com](http://www.neo-metro.com)**

NEO-METRO Collection • P.O. Box 3527 • City of Industry, CA 91744 USA • Phone (626) 855-4854 • Fax (626) 937-4725

TS 8950  
PAGE 1 OF 2

L1000755 (5/1/02)

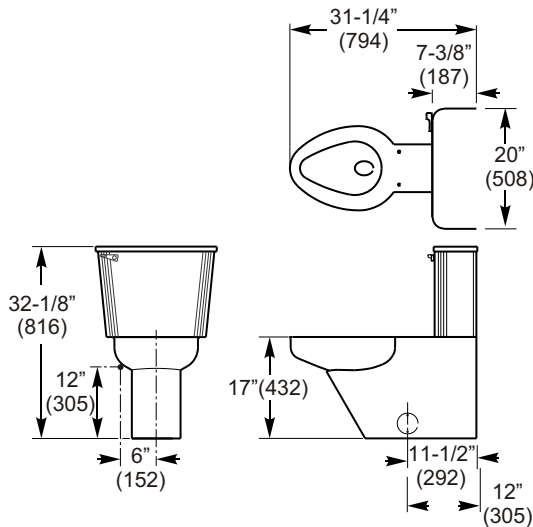
# NEO-METRO<sup>®</sup> Collection



## ADA Compliant METRO URBAN Toilet

### Features

- ADA COMPLIANT CONFIGURATION
- DESIGNED TO WORK WITH STANDARD RESIDENTIAL WATER INLET AND WASTE OUTLET
- Toilet with Cistern Tank
- 16-Gage Stainless Steel Construction
- Elongated Toilet Bowl; Punched & Threaded for Top Mounted Toilet Seat (1/4-20 x 1" Screws Provided, **Seat Sold Separately**)
- Polyethylene Inner Tank Releasing 1.6 Gallons (6 Liters) per Flush
- Uses Fluid Master<sup>®</sup> Toilet Flush Valves and Lever
- Available in *Satin* (Standard), *Mira* High Polish or *Cosmic* Finishes
- *Mira* High Polish Rim on Cistern Cover (Standard)
- Codes/Standards Applicable - CSA and ANSI A112.19.2M



### Ordering Options

- |                                         |                                                          |
|-----------------------------------------|----------------------------------------------------------|
| <input type="checkbox"/> 8950-ADA-3     | ADA Compliant Metro Urban Toilet<br><i>Satin</i> Finish  |
| <input type="checkbox"/> 8950-ADA-3-HP  | ADA Compliant Metro Urban Toilet<br><i>Mira</i> Finish   |
| <input type="checkbox"/> 8950-ADA-3-CMF | ADA Compliant Metro Urban Toilet<br><i>Cosmic</i> Finish |



Other ADA considerations may be required. Please check your local ADA regulations.

**PRODUCT Specification . . .** Metro Urban Toilet shall be made of 16-gage type 304 stainless steel. The toilet bowl is elongated and is punched and threaded (1/4-20) for a top mounting elongated toilet seat. (Seat not included.) The bowl also has an ADA compliant, 17" (432 mm) rim height. Stainless steel trapway passes a 2-1/8" (54 mm) ball. Toilet tank shall have a polyethylene inner liner. A conventional Fluid Master<sup>®</sup> float/flapper mechanism and ADA compliant flush activating lever are used. Toilet meets ANSI A112.19.2M requirements using an average water consumption of 1.6 gallons (6 liter) per flush. Toilet also meets CSA requirements. Although this toilet is ADA compliant, please check your local regulations as other ADA considerations may be required.

**PLUMBING Specification . . .** Toilet uses standard residential water inlet and waste. Fill valve inlet is 1/2" NPS. Wall inlet location is recommended at 6" (152 mm) from the center and 10" (254 mm) from finished floor. On-floor waste outlet to be located 12" (305 mm) from finished wall. Access via removable side panels.

#### Approved for Manufacturing

*All dimensions are nominal and subject to manufacturer's change without notice.*

Company	Project Name	Authorized Signature	Name Written Clearly	Date
---------	--------------	----------------------	----------------------	------

*Neo-Metro Collection is a division of Acorn Engineering Company*

**Call Us at (800) 591-9050 • Web Site: [www.neo-metro.com](http://www.neo-metro.com)**

NEO-METRO Collection • P.O. Box 3527 • City of Industry, CA 91744 USA • Phone (626) 855-4854 • Fax (626) 937-4725