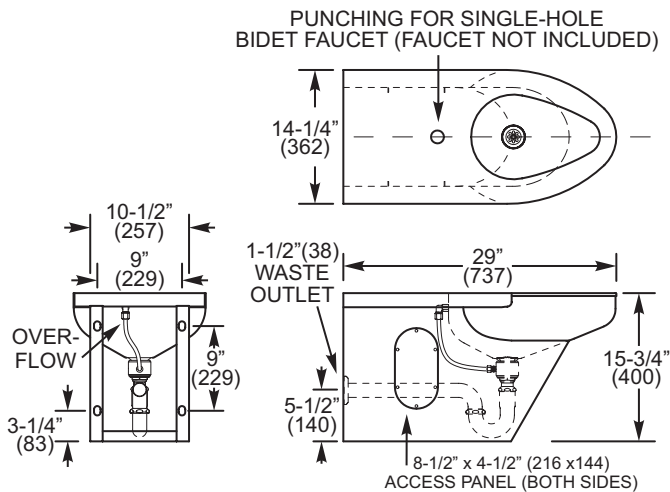


NEO-METRO® Collection

Stainless Steel Bidet

Features

- One-Piece Construction Bidet
- 16-Gage, Type 304 Stainless Steel Construction
- Punched for Single Hole Bidet Faucet (Faucet not included)
For other punching configurations contact Neo-Metro.
- Available in *Satin* (Standard), *Mira* High Polish or *Cosmic* Finishes



Ordering Options

- 8964 BIDET - *Satin* Finish
- 8964-HP BIDET - *Mira* Finish
- 8964-CMF BIDET - *Cosmic* Finish

PRODUCT Specification . . . One-piece bidet fabricated from 16-gage, Type 304 stainless steel. The unit consists of a large elongated bowl, a shroud that covers the drain, overflow assembly, and a P-trap. Access panel comes with screws.

PLUMBING Specification . . . A 1-5/16" (33 mm) hole is punched on the deck for a single hole bidet faucet. Faucets are not included. For other bidet faucet mounting configurations, please contact Neo-Metro. Unit includes overflow assembly, drain and P-trap. Panels on both sides allow access for installing and maintaining faucet, drain and P-trap. Unit has a 1-1/2" (38 mm) outer diameter waste outlet into the wall.

Approved for Manufacturing

All dimensions are nominal and subject to manufacturer's change without notice.

Company	Project Name	Authorized Signature	Name Written Clearly	Date
---------	--------------	----------------------	----------------------	------

Neo-Metro Collection is a division of Acorn Engineering Company.

Call Us at (800) 591-9050 • Web Site: www.neo-metro.com

NEO-METRO Collection • P.O. Box 3527 • City of Industry, CA 91744 USA • Phone (626) 855-4854 • Fax (626) 937-4725

TS 8964
PAGE 1 OF 1

L1000761 (5/1/02)