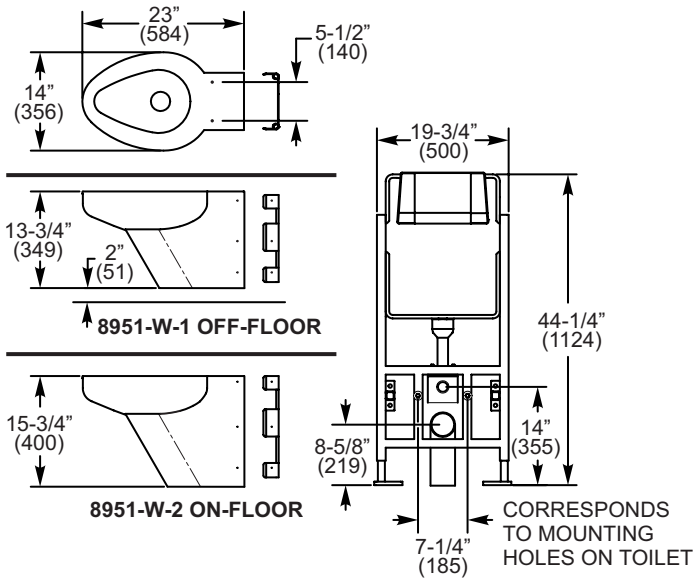


NEO-METRO[®] Collection

EURO-URBAN CONTOUR Toilet

Features

- DESIGNED TO WORK WITH GEBERIT[®] CONCEALED TANK AND CARRIER SYSTEM (Tank & Carrier Sold Separately from Fixture)
- One-Piece Cistern Flush Style Toilet
- 16-Gage Stainless Steel Construction
- Available in Off-Floor (-1) or On-Floor (-2) Configurations
- Elongated Toilet Bowl; Punched/Threaded for Top Mounted Toilet Seat (1/4-20 x 1" Screws Provided, **Seat Sold Separately**)
- Available in **Satin Finish** (Standard), **Mira High Polish** or **Cosmic Finishes**



Ordering Options

- | | |
|---------------------------------------|---|
| <input type="checkbox"/> 8951-W-1 | OFF-FLOOR Mounting (Wall Waste),
Wall Supply Toilet - Satin Finish * |
| <input type="checkbox"/> 8951-W-1-HP | OFF-FLOOR Mounting (Wall Waste),
Wall Supply Toilet - Mira Finish * |
| <input type="checkbox"/> 8951-W-1-CMF | OFF-FLOOR Mounting (Wall Waste),
Wall Supply Toilet - Cosmic Finish * |
| <input type="checkbox"/> 8951-W-2 | ON-FLOOR Mounting (Wall Waste),
Wall Supply Toilet - Satin Finish |
| <input type="checkbox"/> 8951-W-2-HP | ON-FLOOR Mounting (Wall Waste),
Wall Supply Toilet - Mira Finish |
| <input type="checkbox"/> 8951-W-2-CMF | ON-FLOOR Mounting (Wall Waste),
Wall Supply Toilet - Cosmic Finish |
| <input type="checkbox"/> - ADA | ADA Compliancy - ON-FLOOR Mounting
Taller bowl to meet ADA requirements
(Separate specification sheet available)
* Off-Floor model is ADA compliant if bowl rim
is positioned 17"-19" (432 mm - 483 mm) off the floor.
Other ADA considerations may be required.
Please check your local ADA regulations |

See separate specification sheet for Geberit[®] Concealed Tank and Carrier System with Accessories

PRODUCT Specification . . . The cistern flush style toilet is designed to work with the Geberit[®] concealed tank and carrier system (tank & carrier sold separately from fixture). Toilet shall be fabricated of 16-gage, Type 304 stainless steel. Toilet is available in off-floor (wall hung) or on-floor configurations. Toilet bowl is elongated and is punched and threaded for a top mounting elongated toilet seat. Seat sold separately. Stainless steel trapway shall pass a 2-1/8" (54 mm) ball.



* Off-Floor models are ADA compliant if rim is positioned 17"-19" (432 mm - 483 mm) off the floor. ADA compliant On-Floor model is available (see separate specification sheet). Geberit[®] carrier is adjustable to accommodate ADA toilet height requirements. Other ADA considerations may be required. Please check your local ADA regulations.

PLUMBING Specification . . . The toilet must use a Geberit[®] concealed (in-wall) tank and carrier system. Geberit[®] carrier requires 19-3/4" (502 mm) clearance between 2" x 6" (51 mm x 152 mm) wall studs. Tank releases an average 1.6 gallons (6 liters) per flush. Both water inlet and waste outlet are through the wall.

Approved for Manufacturing

All dimensions are nominal and subject to manufacturer's change without notice.

Company	Project Name	Authorized Signature	Name Written Clearly	Date
---------	--------------	----------------------	----------------------	------

Neo-Metro Collection is a division of Acorn Engineering Company

Call Us at (800) 591-9050 • Web Site: www.neo-metro.com

NEO-METRO Collection • P.O. Box 3527 • City of Industry, CA 91744 USA • Phone (626) 855-4854 • Fax (626) 937-4725

TS 8951
PAGE 1 OF 3

L1000756 (5/1/02)

NEO-METRO® Collection

Geberit®

Concealed Tank and Carrier System with Accessories



Euro-Urban Contour Toilet



Metāāl Toilet

Geberit® CONCEALED TANK AND CARRIER SYSTEM WITH ACCESSORIES FOR USE WITH EURO-URBAN CONTOUR TOILET OR METĀĀL TOILET

Elimination of the visible tank creates attractive decorator options for today's efficient bathroom designs. Geberit® tank releases 1.6 gallons (6 liters) per flush. Carrier requires 19-3/4" (502 mm) clearance between 2" x 6" (51 mm x 152 mm) wall studs. Includes elbow waste connector (used only for the Euro-Urban Contour Toilet.) Choice of Large Satin Finish Panel, Large Mira Finish Panel, or Small Mira Finish Pneumatic Push Button. (Access door or panel solution recommended for Small Push Button option.)

		PRODUCT DESCRIPTION	MODEL NUMBER
		Geberit® Concealed Tank and Carrier System with <i>Geberit</i> Large <i>Satin</i> Finish Push Panel 13-3/8" (300 mm) x 7-5/16" (185 mm)	-CTC
		Geberit® Concealed Tank and Carrier System with <i>Geberit</i> Large <i>Mira</i> Finish Chrome Plated Brass Push Panel 13-3/8" (300 mm) x 7-5/16" (185 mm)	-CTCHP
		Geberit® Concealed Tank and Carrier System with Small <i>Mira</i> Finish Pneumatic Push Button 4-1/4" (108 mm) x 4-1/4" (108 mm)	-CTCB
	Access Panel for CTCB Option 7-1/2" (191 mm) x 13-1/2" (343 mm)	4080-020-001 (<i>Satin</i> Finish) 4080-022-001 (<i>Mira</i> Finish) 4080-023-001 (<i>Cosmic</i> Finish)	
	Access Door for CTCB Option with Screwdriver Latch 7-1/2" (191 mm) x 13-1/2" (343 mm)	0530-050-001 (<i>Satin</i> Finish) 0530-055-001 (<i>Mira</i> Finish) 0530-060-001 (<i>Cosmic</i> Finish)	
	Geberit® Access Door Assembly Kit for CTCB Option Make an Access Door with materials to match your decor (eg. tile, wall paper)	2954-715-000	

All dimensions are nominal and subject to manufacturer's change without notice.

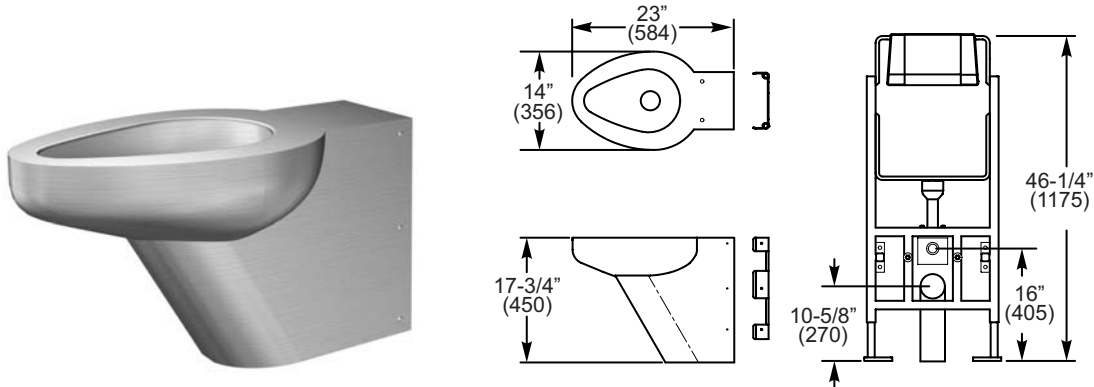
Call Us at (800) 591-9050 • Web Site: www.neo-metro.com

NEO-METRO Collection • P.O. Box 3527 • City of Industry, CA 91744 USA • Phone (626) 855-4854 • Fax (626) 937-4725

NEO-METRO® Collection



EURO-URBAN CONTOUR Toilet ADA Compliant On-Floor Mounting



Ordering Options

- 8951-ADA-W-2 ADA Compliant ON-FLOOR Mounting (Wall Waste), Wall Supply Toilet - *Satin* Finish

- 8951-ADA-W-2-HP ADA Compliant ON-FLOOR Mounting (Wall Waste), Wall Supply Toilet - *Mira* Finish

- 8951-ADA-W-2-CMF ADA Compliant ON-FLOOR Mounting (Wall Waste), Wall Supply Toilet - *Cosmic* Finish

Differences from Standard Model: ADA Compliant On-Floor Euro-Urban Contour Toilet is constructed 2" (51 mm) taller to comply with ADA requirements. Geberit carrier is adjustable to accommodate ADA toilet height requirements. Other ADA considerations may be required. Please check your local ADA regulations.

Approved for Manufacturing

All dimensions are nominal and subject to manufacturer's change without notice.

Company	Project Name	Authorized Signature	Name Written Clearly	Date
---------	--------------	----------------------	----------------------	------

Neo-Metro Collection is a division of Acorn Engineering Company

Call Us at (800) 591-9050 • Web Site: www.neo-metro.com

NEO-METRO Collection • P.O. Box 3527 • City of Industry, CA 91744 USA • Phone (626) 855-4854 • Fax (626) 937-4725