

NEO-METRO[®] Collection

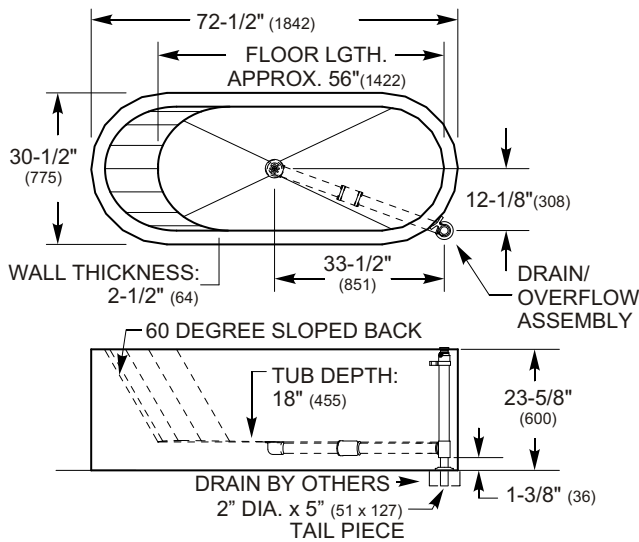
NEO-Tub/Double Wall

Features

- One-Piece Soaking Tub with Integral Reclining Back
 - Insulated Double Wall Heavy Gage Stainless Steel Construction
 - 2" (51 mm) Diameter Combination Drain/Overflow Assembly
 - Extended Skirt Conceals Internal Drain Piping
 - Can be Manufactured to Accommodate Jetting and Heat Maintenance
 - Custom Sizes and Features can be Fabricated to Your Specs
- Please Contact Neo-Metro with Custom Specs and Drawing for Quotation



Model 8972
Shown: -AL Angled Left

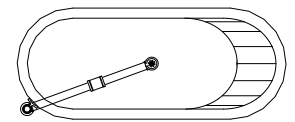
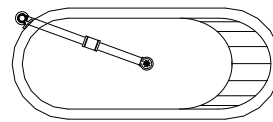


Ordering Options

8972
Neo-Tub/Double Wall

Angled Left

Angled Right



- JET
Tub to be configured with massage jet system with integral temperature maintenance capabilities

ELECTRICAL SPECIFICATIONS

Voltage: 120 VAC Freq.: 60 Hz Amps: 11 A

Product Specification . . . Tub shall be manufactured with heavy gage, type 304 stainless steel. Construction shall be seamless welded and exposed surfaces shall be polished to a satin finish. Walls of tub shall be of double wall construction*. A 60 degree sloped back is built into the tub. The tub shall have a skirt flush to the floor line concealing the internal plumbing. A 2" (51 mm) combination drain and overflow assembly is provided. The tub can be configured with a massage jet system (includes integral temperature maintenance capabilities). Jet system shall use UL compliant components.

Plumbing Specification . . . Drain in the tub floor is positioned in the center. Water drains out to the 2" (51 mm) combination drain and overflow assembly positioned toward the end of the tub. Faucet not provided by Neo-Metro.

* Double wall construction has patent pending.

Approved for Manufacturing

All dimensions are nominal and subject to manufacturer's change without notice.

Company	Project Name	Authorized Signature	Name Written Clearly	Date
---------	--------------	----------------------	----------------------	------

Neo-Metro Collection is a division of Acorn Engineering Company.

Call Us at (800) 591-9050 • Web Site: www.neo-metro.com

NEO-METRO Collection • P.O. Box 3527 • City of Industry, CA 91744 USA • Phone (626) 855-4854 • Fax (626) 937-4725

TS 8972
PAGE 1 OF 1

L1000763 (5/7/03)