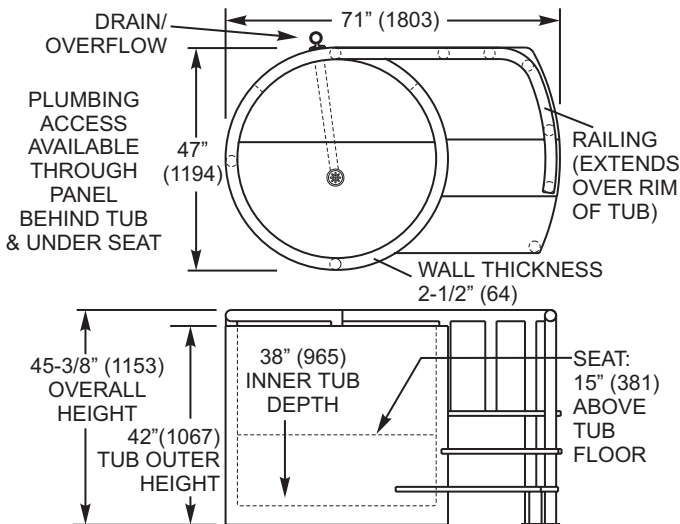


NEO-METRO[®] Collection

SOHO BATH

Features

- Soaking Style Tub
 - Insulated Double Wall Heavy Gage Stainless Steel Construction
 - Built-in 15" (381 mm) High Semi-Cylindrical Seat
 - Slip Resistant Staircase is Detachable
 - Railing Assists User in/out of Tub and Can be Used as Towel Rack
 - Drain/Overflow Assembly Located on Exterior of Tub
 - Plumbing Access Beneath Seat
 - Extended Skirt Conceals Internal Drain Piping
 - Can be Manufactured to Accommodate Jetting and Heating
 - Custom Sizes and Features can be Fabricated to Your Specs
- Please Contact Neo-Metro with Custom Specs and Drawing for Quotation



Ordering Options

- 8973**
SOHO BATH Soaking Tub

- JET**
Tub to be configured with massage jet system with integral temperature maintenance capabilities

Product Specification . . . Tub shall be manufactured with 14 gage, type 304 stainless steel. Construction shall be seamless welded and exposed surfaces shall be polished to a satin finish. Walls of tub shall be of double wall construction.* Removable stair case and railing assists user in/out of tub. Railing extends around the cylindrical part of the tub and can be used as a towel rack. The tub shall have a skirt flush to the floor line concealing the internal plumbing. There is a maintenance access opening to the internal plumbing under the seat. A 2" (51 mm) combination drain and overflow assembly is provided. The tub can be configured with hydro massage jet system and heater. Both jet system and heater shall use UL compliant components.

Plumbing Specification . . . Drain in tank floor is positioned near center of tub. Water drains out to the 2" (51 mm) combination drain and overflow assembly positioned behind tub. There is a maintenance access to the internal plumbing behind the tub and under the seat.

* Double wall construction has patent pending.

Approved for Manufacturing

All dimensions are nominal and subject to manufacturer's change without notice.

Company	Project Name	Authorized Signature	Name Written Clearly	Date

Neo-Metro Collection is a division of Acorn Engineering Company.

Call Us at (800) 591-9050 • Web Site: www.neo-metro.com

NEO-METRO Collection • P.O. Box 3527 • City of Industry, CA 91744 USA • Phone (626) 855-4854 • Fax (626) 937-4725