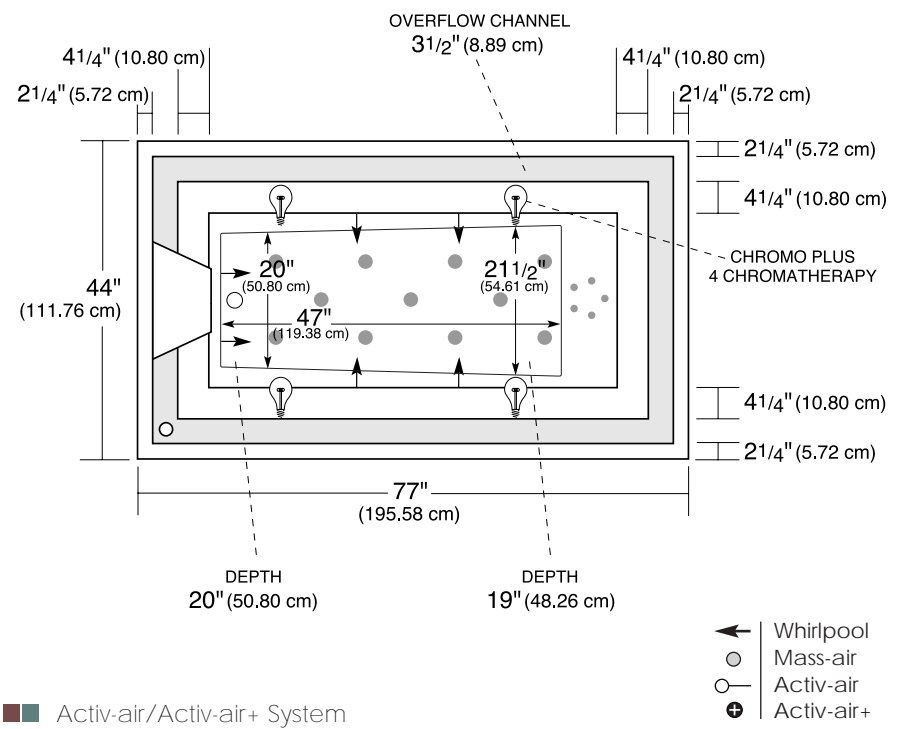
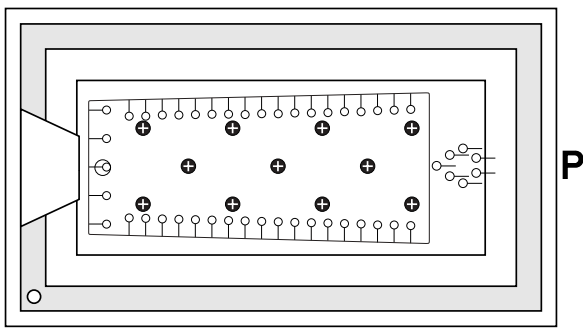




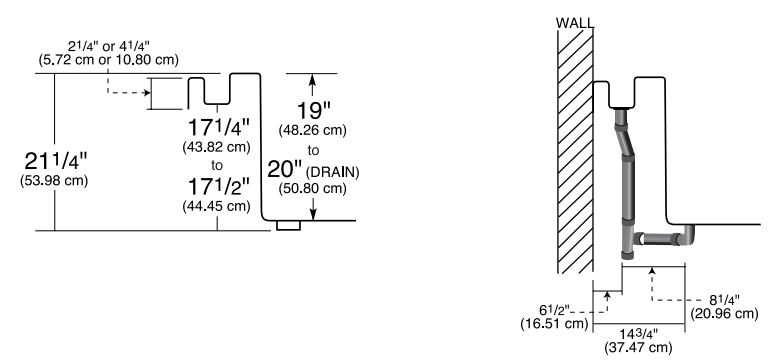
Whirlpool/Mass-air System



Activ-air/Activ-air+ System



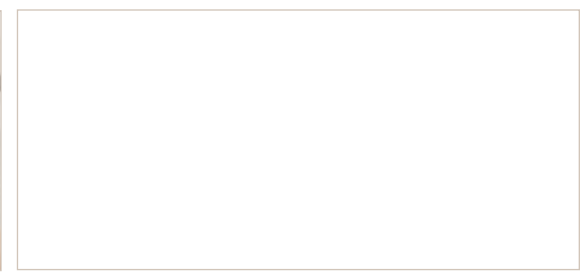
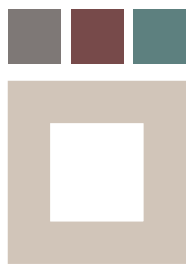
Draining System



The Kara tub can be installed undermount or on a podium and is offered with either 2 or 4 inch edges. Its abundant space for faucets allows for a variety of different looks and configurations. Kara's custom-made drain is included with the tub.



ACRYLIC Overflow tub



TOTAL IMMERSION

Kara, the realization of ultimate comfort.

6835, Picard Street
St-Hyacinthe
Quebec, Canada
J2S 1H3

T 450.773.7058
F 450.773.5063

www.neptuneb.com





Discover **Kara**, the new generation of acrylic overflow tubs from Neptune. In order to satisfy your constant quest for innovative design, we have created this **exclusive** acrylic tub which maximises immersion and gives an all-new meaning to the words comfort and relaxation. Its unique contemporary design with a definite Asian feel brings a breath of fresh air to the modern market.



ACRYLIC Overflow tub TOTAL IMMERSION

The **Chromo plus** system consists of four mood lights with synchronised chromatherapy LED lights strategically positioned in the tub. It is designed to maximise the beneficial effects of chromatherapy on the energetic current of your body as well as enhance the ambiance of your bathing area.

Kara,
the realization of ultimate comfort.



Kara is a bath that offers an incredible 20" of depth, creating a sublime feeling of total immersion for the body. **Kara** is also an overflow tub, which means that water is drained out through the channel that surrounds the tub, and not recycled back into the bath. **Kara** is finally a customized tub that can be equipped according to your needs with all of Neptune's systems: Whirlpool, Mass-Air and/or Activ-Air and the all new **Chromo plus** system.

