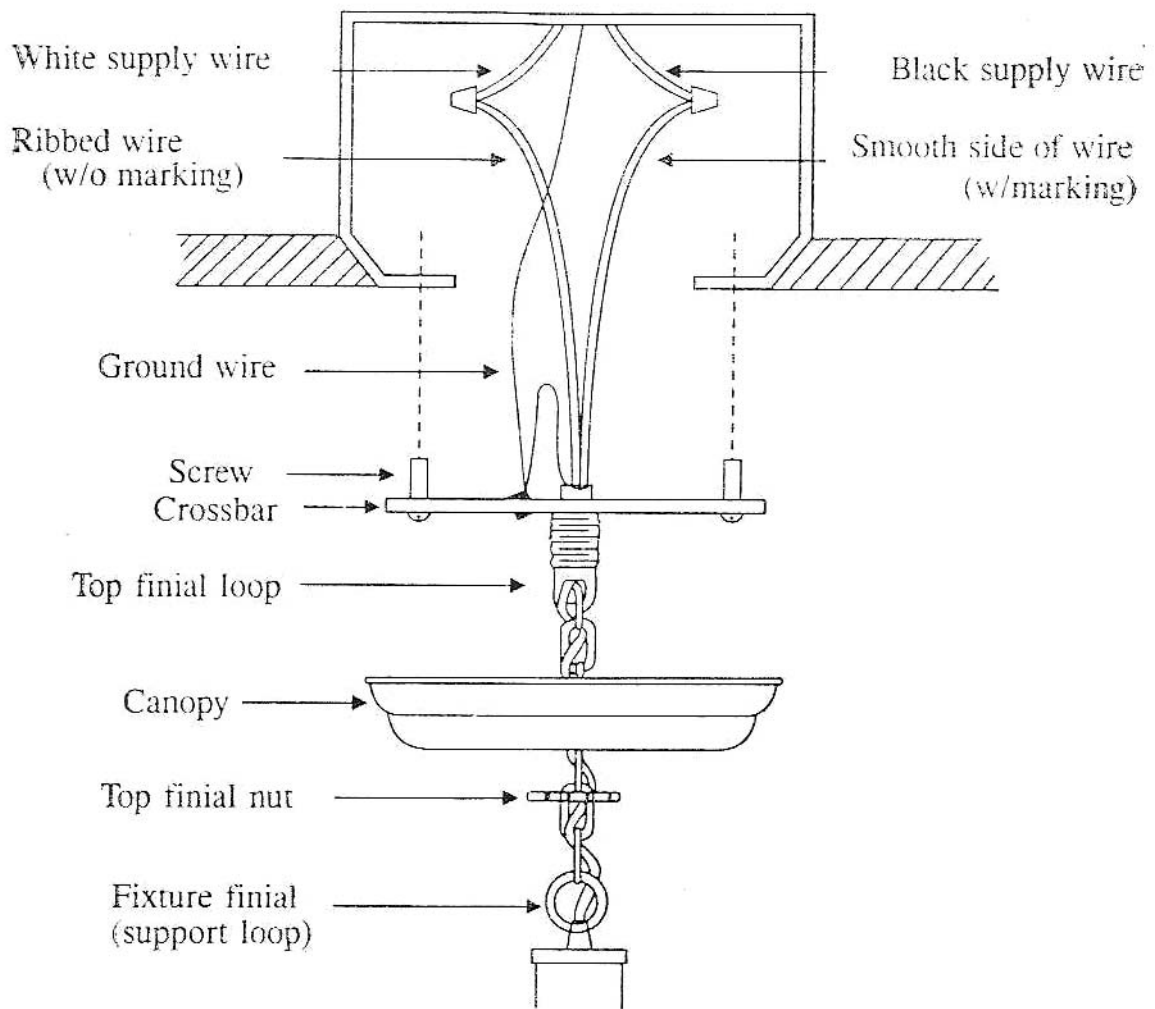




**Oceana PENDANT LIGHT PL-###**



### CEILING OUTLET BOX



# READ & SAVE THESE INSTRUCTIONS

WARNING: RISK OF FIRE MOST DWELLINGS BUILT BEFORE 1985 HAVE SUPPLY WIRE RATED 60 C, CONSULT A QUALIFIED ELECTRICIAN BEFORE INSTALLING.

## INSTALLATION AND OPERATION INSTRUCTIONS

### TOOLS & MATERIALS REQUIRED

- Blade screw driver
- Adjustable wrench
- Step ladder
- Wire Cutters
- Wiring supplies as required by electric code

CAUTION: Before assembling your Lighting fixture, refer to the sections titled ELECTRICAL CONNECTIONS. If you feel you do not have electrical wiring experience, refer to a do-it-yourself wiring handbook or have your fixture installed by a qualified licensed electrician.

### GENERAL

1. To ensure the success of the installation, be sure to read these instructions and review the diagrams thoroughly before beginning.
2. All electrical connections must be in accordance with local codes, ordinances, or the National Electrical Code. If you are unfamiliar with methods of installing electrical wiring, secure the services of a qualified licensed electrician.
3. These fixtures are intended to be mounted to a 4" x 2 / " deep metal octagon outlet box. The box must be directly supported by the building structure.
4. Before starting the installation, disconnect the power by turning off the circuit breaker or by removing the fuse at the fuse box. Turning the power off using the light switch is not sufficient to prevent electrical shock.

NOTE: The important safeguards and instructions appearing in this manual are not meant to cover all possible conditions and situations that may occur. It must be understood that common sense, caution, and care are factors which cannot be built into any product. These factors must be supplied by the person (s) caring for and operating the fixture.

### UNPACK THE FIXTURE

Check the contents of the box. You should receive:  
Mounting hardware package  
Glass diffusers (Not supplied on all models)  
Fixture assembly

### PREPARE THE FIXTURE

NOTE: FIRST TURN OFF ELECTRICITY  
ADJUST THE CROSS BAR

Refer to figure 1 for illustration of fixture parts and assembly.

1. If you are replacing an existing fixture, disconnect and remove the old fixture. Expose the supply wiring from the outlet box.
2. Fasten the mounting bracket to the outlet box using the two screws supplied with the outlet box. If the threaded stem is not attached to the mounting bracket, secure the stem with the lockwasher and nut provided.

3. Attach the finial (support loop) to the top part of the fixture. Turn the finial at least 3 complete turns to ensure proper securement.
4. Attach the chain to the finial (support loop) on the top of the fixture. Adjust the chain length by removing one link at a point best suited to the location and required distance from the ceiling. Weave the wires through the chain links. Attach the chain to the top finial loop. Place finial nut and canopy down the fixture chain. Thread the wires up through the finial loop.
5. Raise the fixture to the ceiling and weave the electrical wire through mounting bracket threaded stem. Secure the top finial loop to the threaded stem by screwing loop into stem. Turn the loop at least 3 complete turns to ensure proper mounting. Now you are ready to make electrical connections.
6. Attach grounding wire (green or bare copper) from the supply circuit to the mounting bracket with the green grounding screw provided. Some models have a grounding wire attached to the fixture. Connect the green or bare copper grounding wire to the grounding conductor of the supply circuit.  
Make electrical connections - SEE BELOW.

### ELECTRICAL CONNECTIONS

To make electrical connections:

Cut excess wire leaving size inches for electrical connections. Split the wires into separate leads. Connect the half of the SPT Cord that is ribbed surface, to the white wire of the supply circuit. Connect the smooth half of the wire (the half with markings) to the black wire of the supply circuit. Connect the bare copper wire to the grounding conductor of the supply circuit. Use U.L. Listed wire connectors suitable for the size, type, and number of conductors. No loose strands or loose wire should be present. Secure wire connectors with U.L. Listed electrical tape.

### FINAL ASSEMBLY

1. Spread the electrical splices so that the black wires are on one side of the outlet box and the white wires are on the other side.
2. Raise the ceiling canopy and finial nut up to ceiling and secure to finial loop.
3. Make sure the weight of the chandelier is supported by the chain-not the electrical cord. If you install hooks for a swag they too must engage the chain only. Installation of this type should not be made on a radiant heating type ceiling.
4. Install lightbulbs (not provided).  
CAUTION: Refer to the relamping label located near the lampholder for recommended maximum wattage-do not exceed recommended wattage.
5. Hang glass diffusers. Place plastic tips on ends of diffuser hooks. (Not on all models).
6. Restore electricity and check the operation of your new lighting fixture.